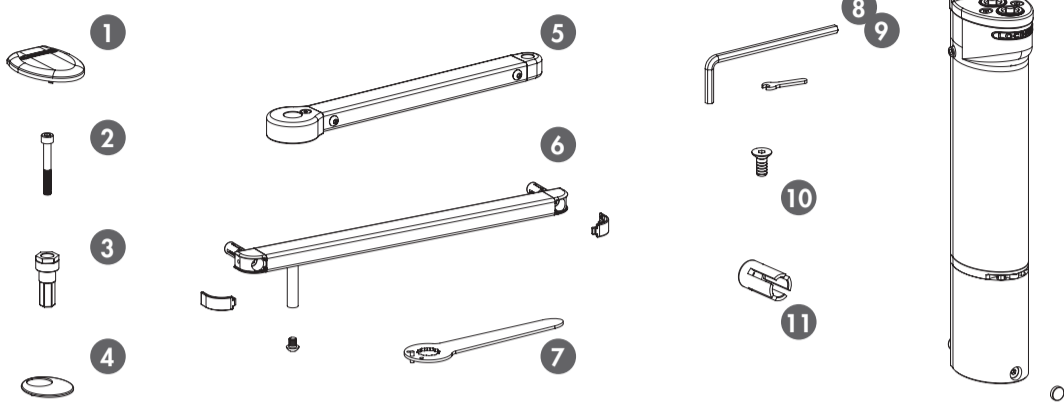


LOCINOX®

Let's make better fences together

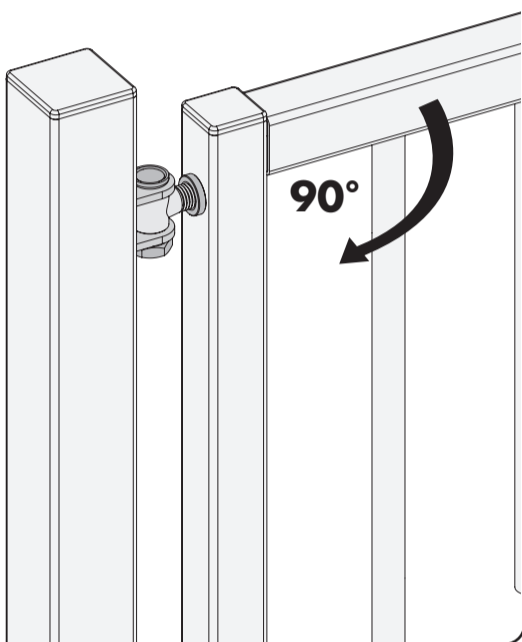
VERTICLOSE-RAIL: INSTALLATION INSTRUCTION

① Package content

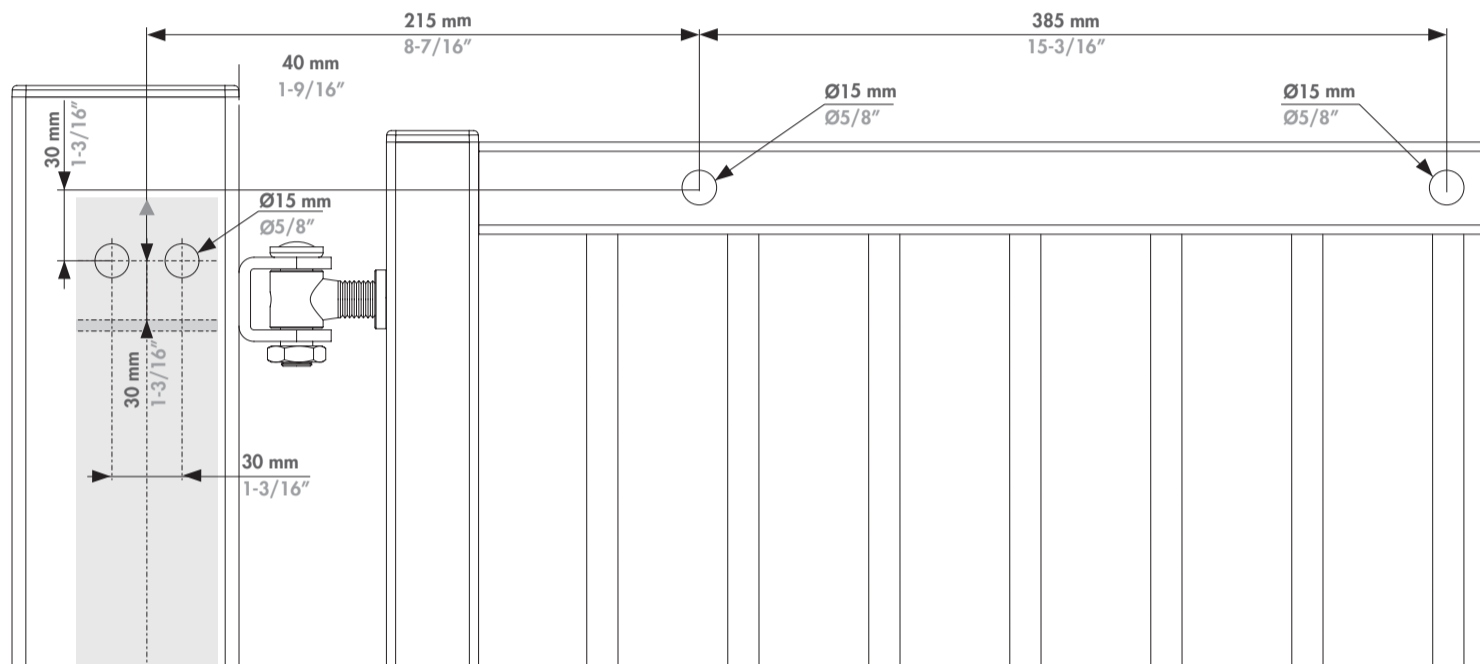


| | | | |
|---|----------------------|----|----------------------|
| 1 | Top Cover | 8 | DIN0911 S5 Allen Key |
| 2 | DIN 0912IM8x60 | 9 | Lociwrench 6 mm |
| 3 | Top Axis | 10 | Shear bolt |
| 4 | Gear cover | 11 | Quick-Fix Expander |
| 5 | VTC Assembly Slide | 12 | VTC and Ø14 bolt cap |
| 6 | VTC Rail with covers | 13 | Drilling template |
| 7 | VTC Tension Key | | |

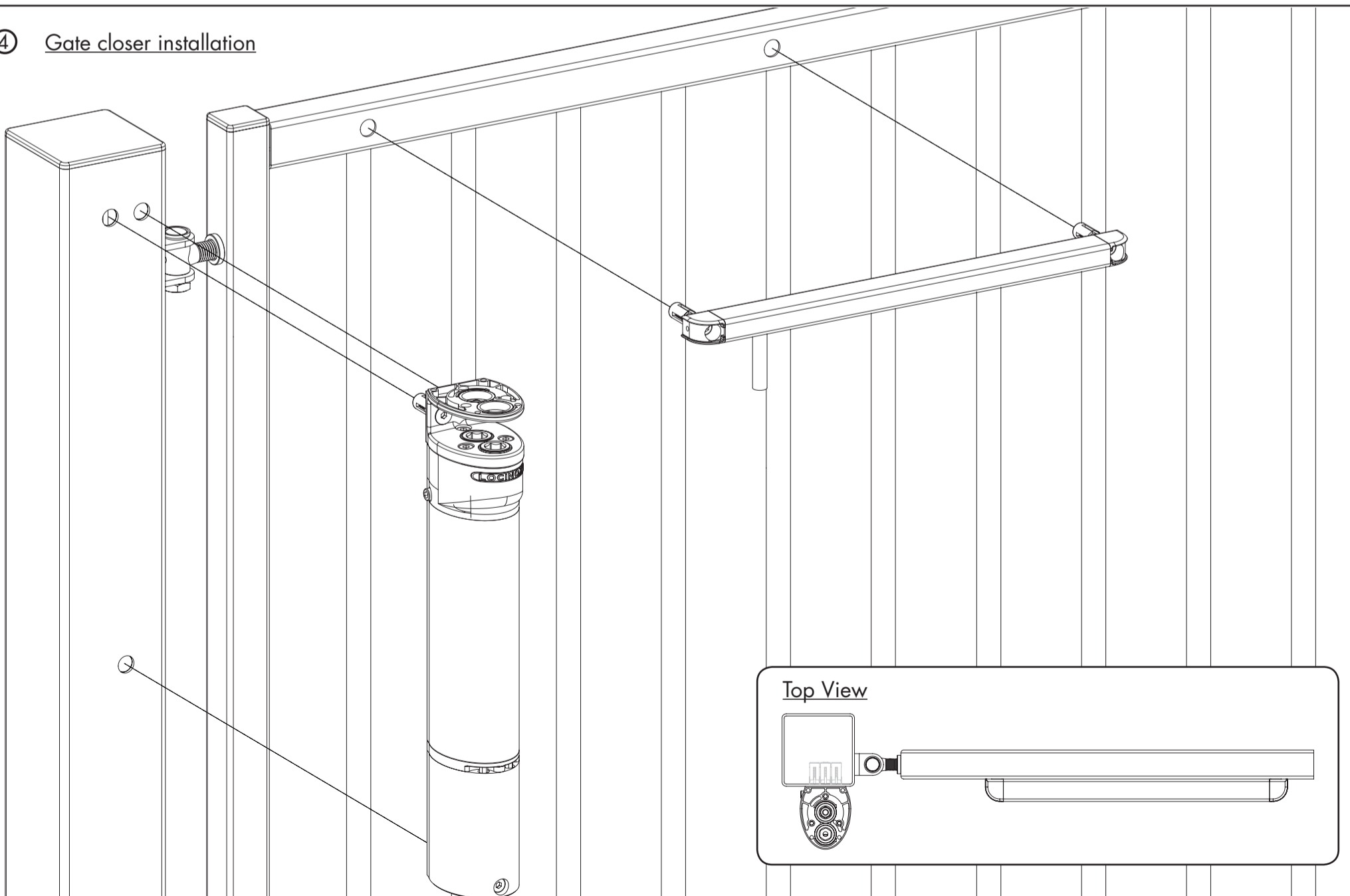
② Mounting situation



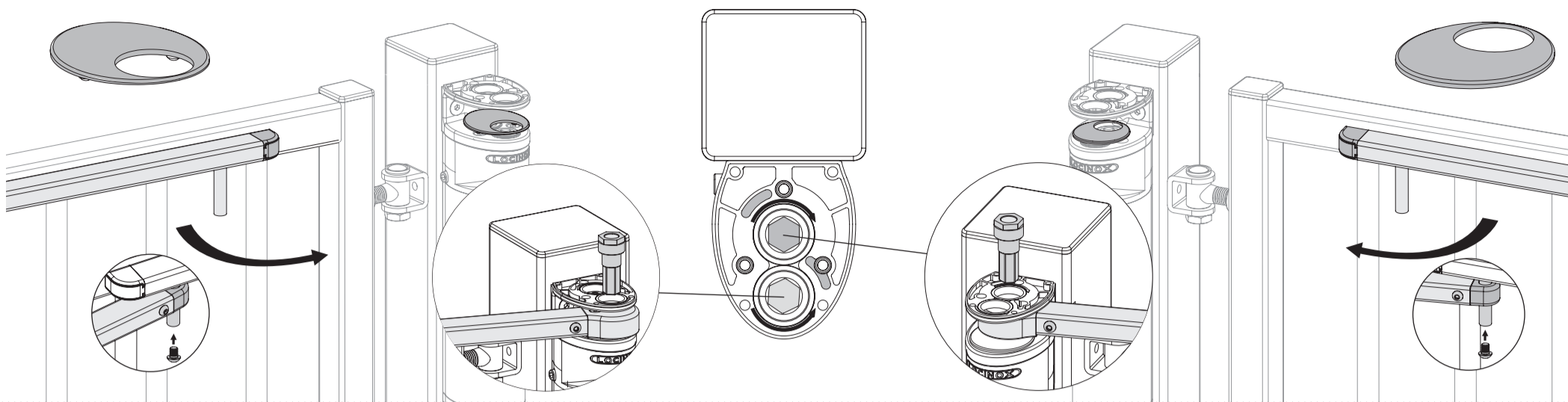
③ Drilling template



④ Gate closer installation

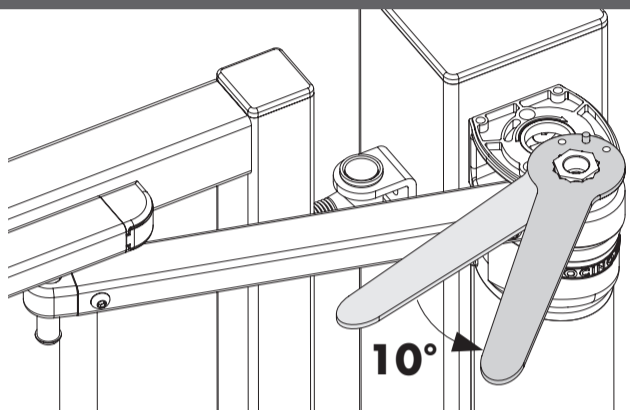


⑤ Gear cover and Assembly slide Installation

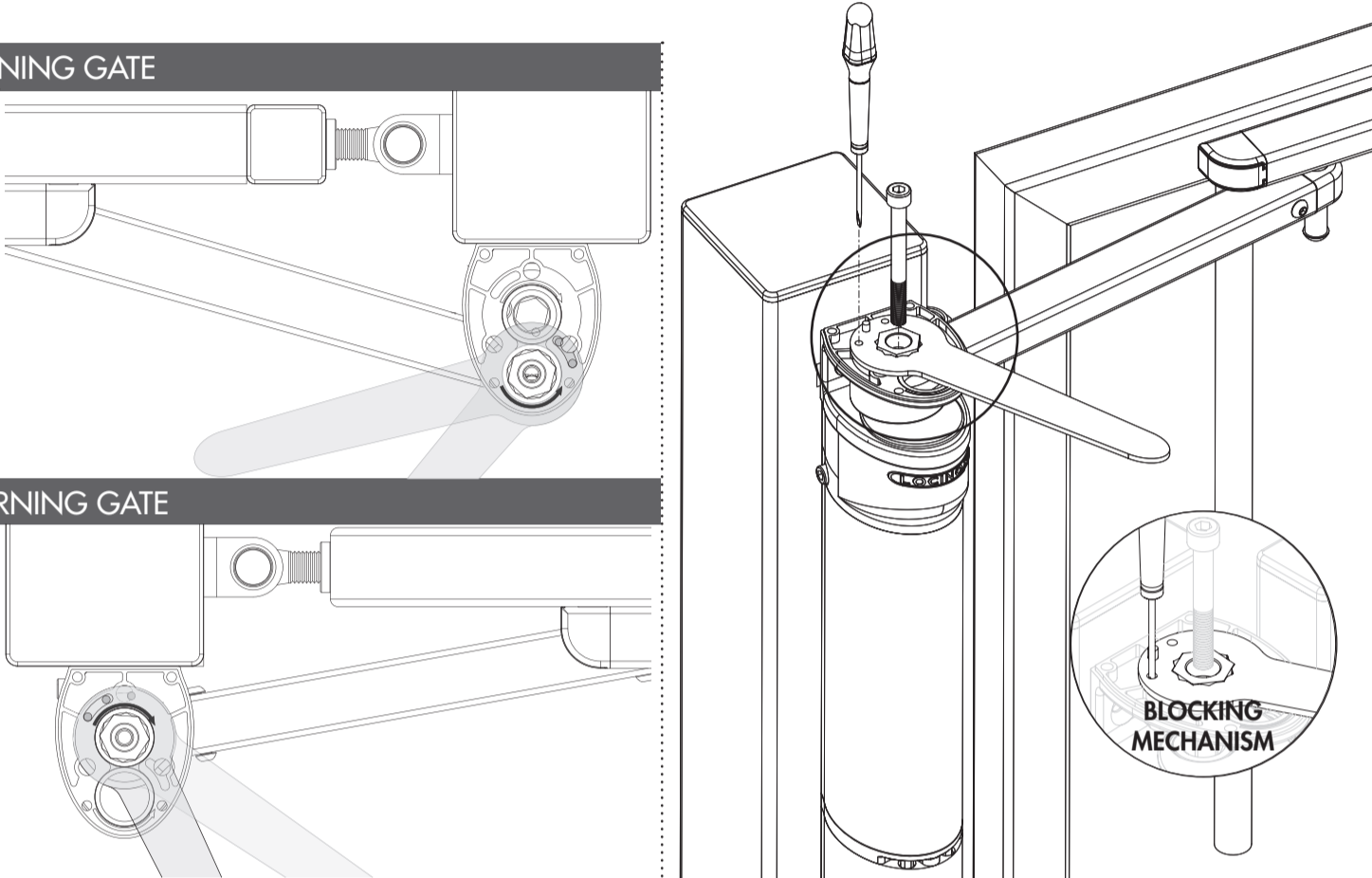
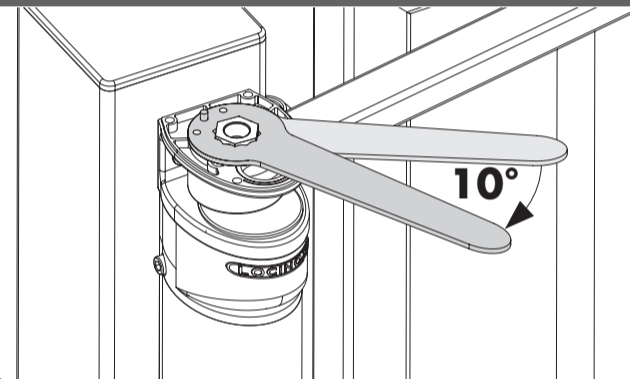


⑥ Pre-Tension

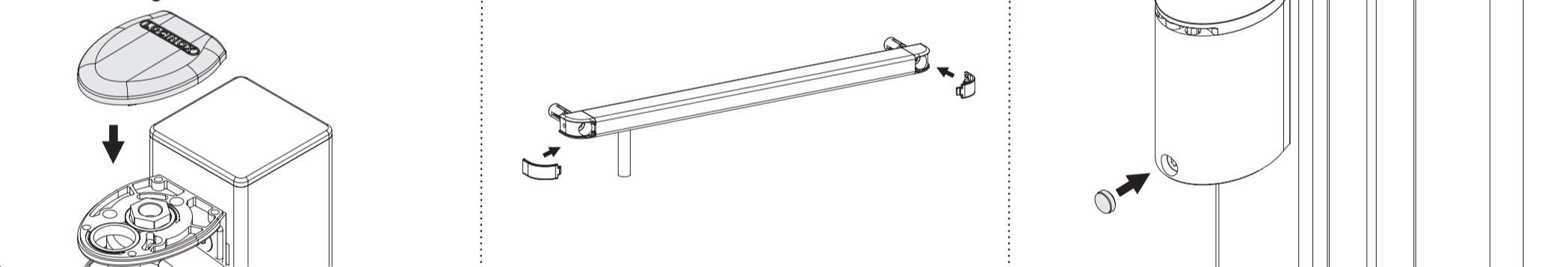
LEFT TURNING GATE



RIGHT TURNING GATE



⑦ Finalising the installation

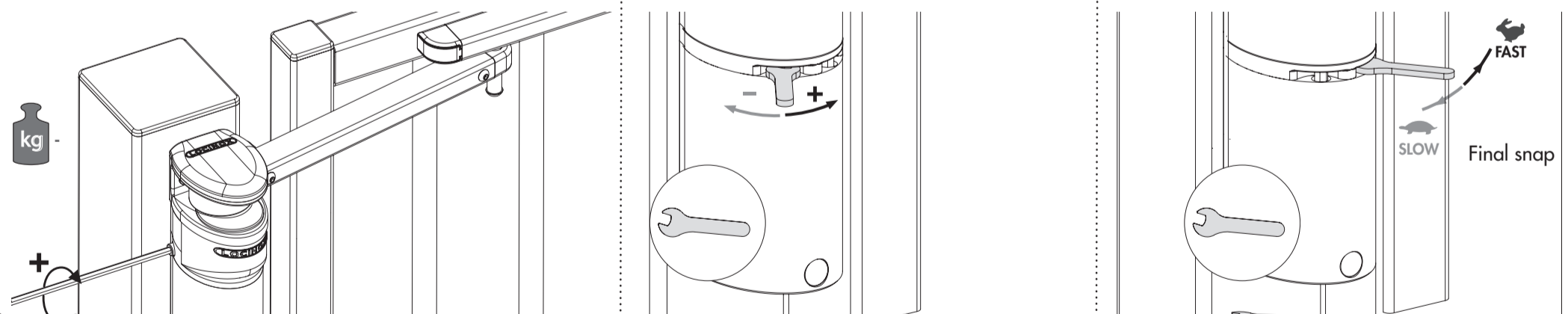


⑧ Adjustment settings

CLOSING FORCE

FINAL SNAP

CLOSING SPEED



⑨ In case of overload

