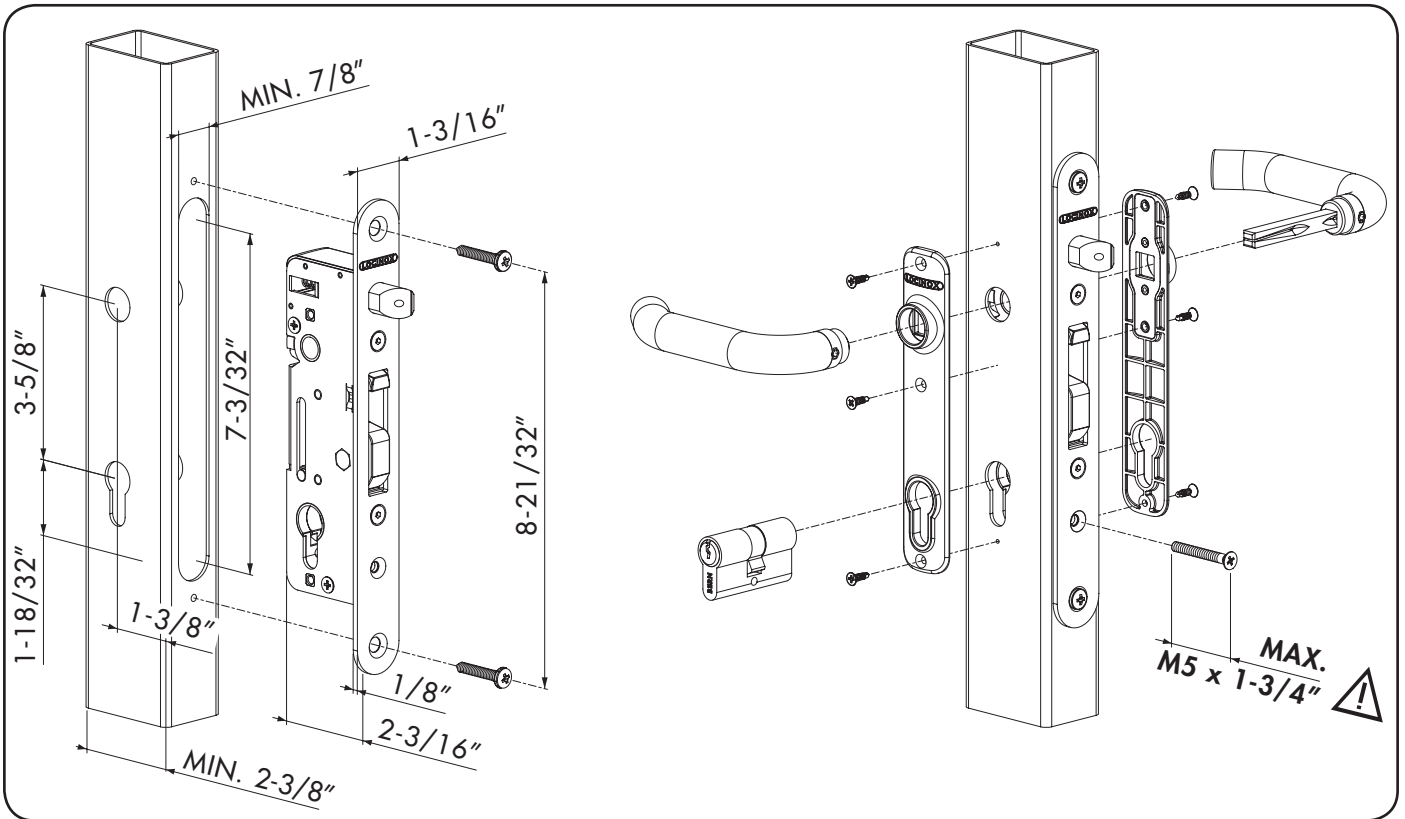
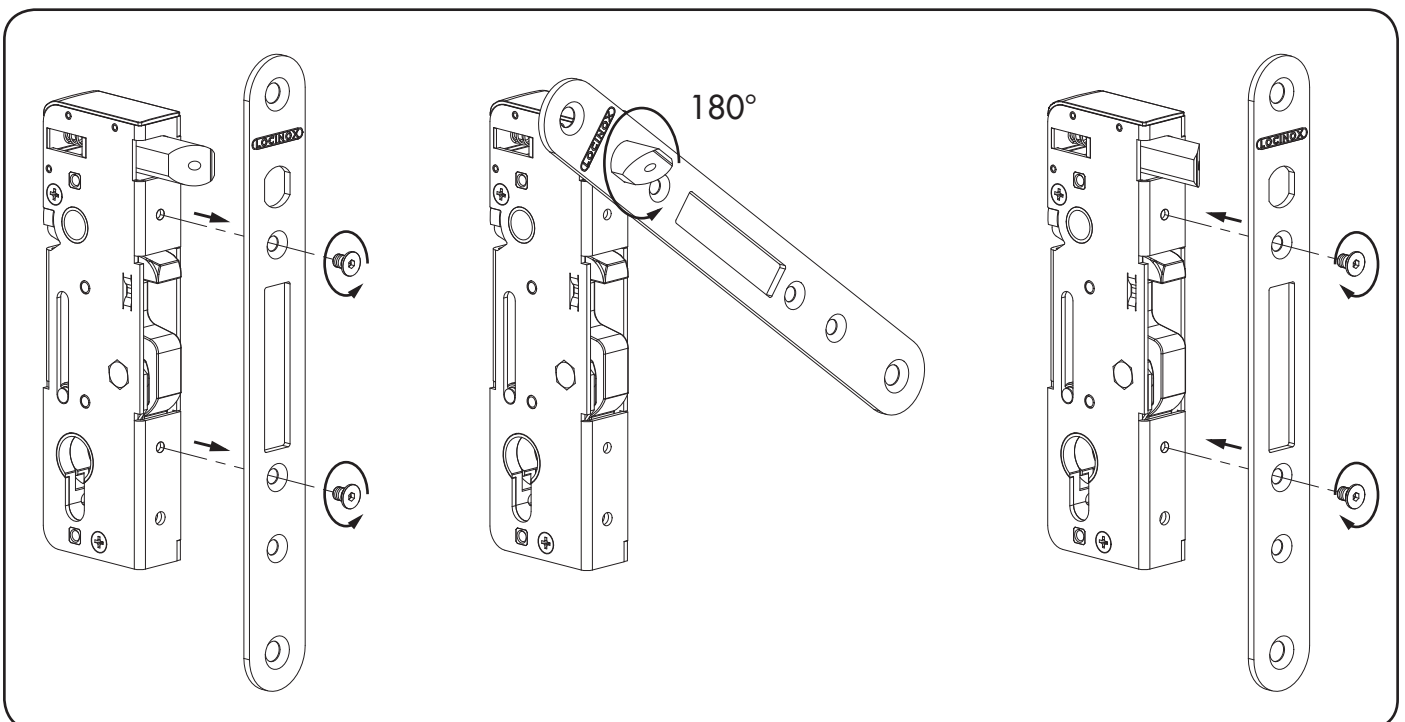


CODE: H-METAL

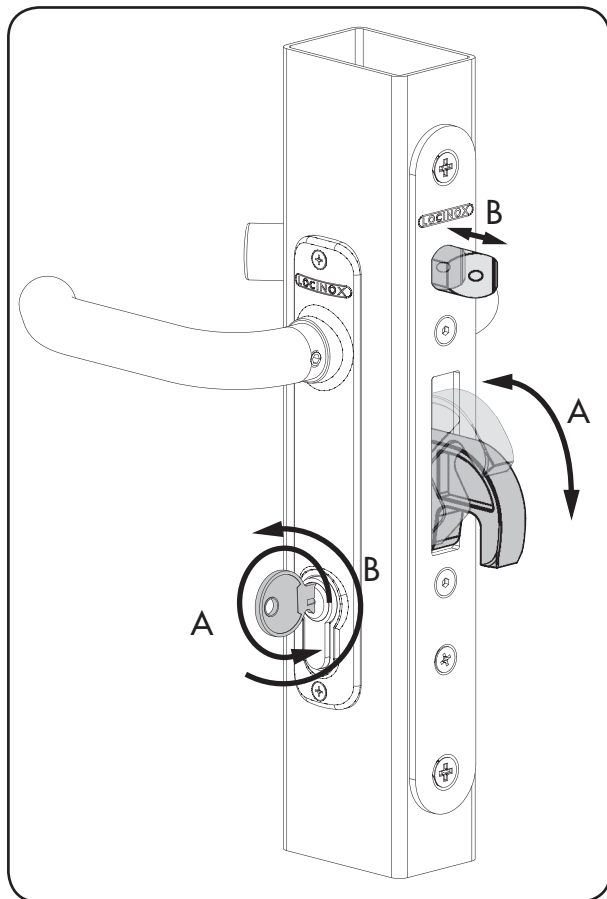
① Explosion & Dimensions



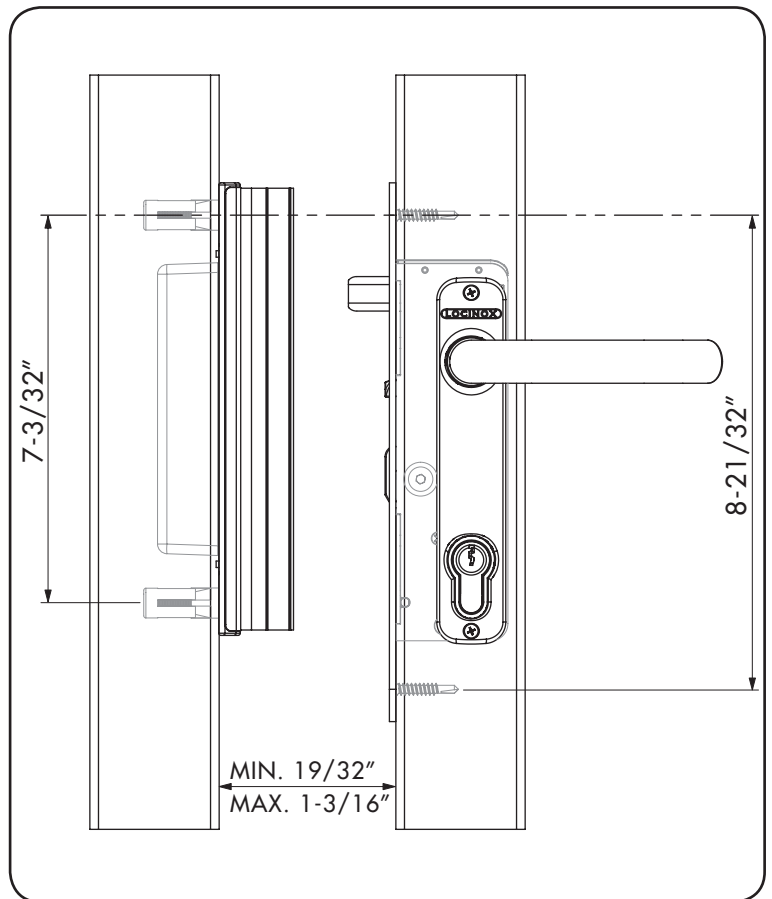
② Left / right changing



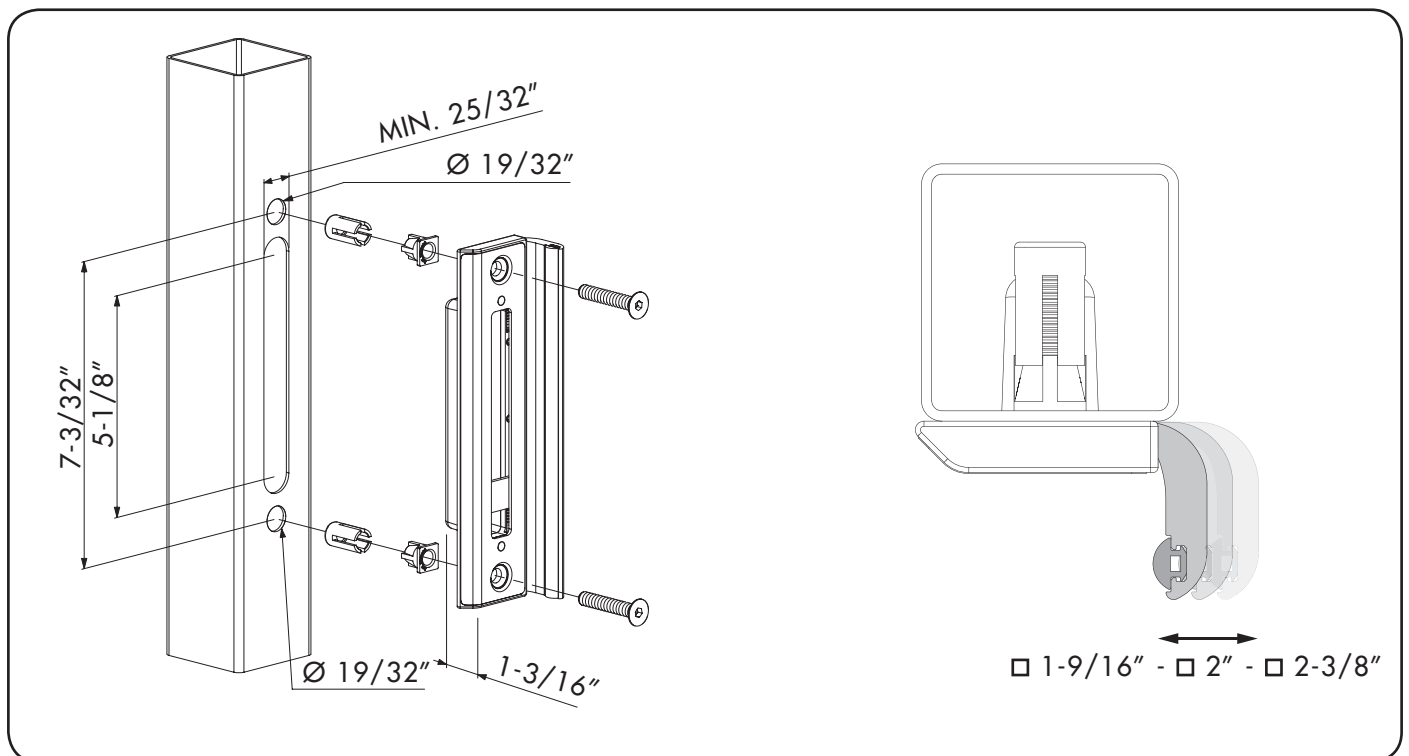
③ Key operated (B) & Throw (A)



④ H-METAL lock & keep



⑤ SHKM QF: H-METAL keep - Dimensions & profile adjustment



LOCINOX[®]
WWW.LOCINOX.COM

Doc. Nr.: MANU-000041



* M A N U - 0 0 0 0 4 1 *

Locinox nv • Mannebeekstraat 21 • B-8790 Waregem • Belgium - Europe
Tel. +32 (0)56 77 27 66 • Fax. +32 (0)56 77 69 26 • E-mail: locinox@locinox.com