

AG-SERIES TANDEM TURNSTILE
INSTALLATION MANUAL



OUTLAW INDUSTRIES
3475 S. CALHAN HWY
CALHAN, CO 80808
SALES@OUTLAWINDUSTRIES.CO

JESSE JAMES: 719-427-2233
JESSE JAMES JR: 719-427-2241
SHOP: 1-800-590-0464

CONTENTS

UNPACKAGING2
TANDEM FULL HEIGHT TURNSTILE GENERAL DIMENSIONS3
TANDEM FULL HEIGHT TURNSTILE NOMENCLATURE4
INSTALLATION5
ELECTRICAL REQUIREMENTS13
ACCESS CONTROL REQUIREMENTS13
WIRING SCHEMATIC14
WARRANTY AND DISCLAIMER15

UNPACKAGING

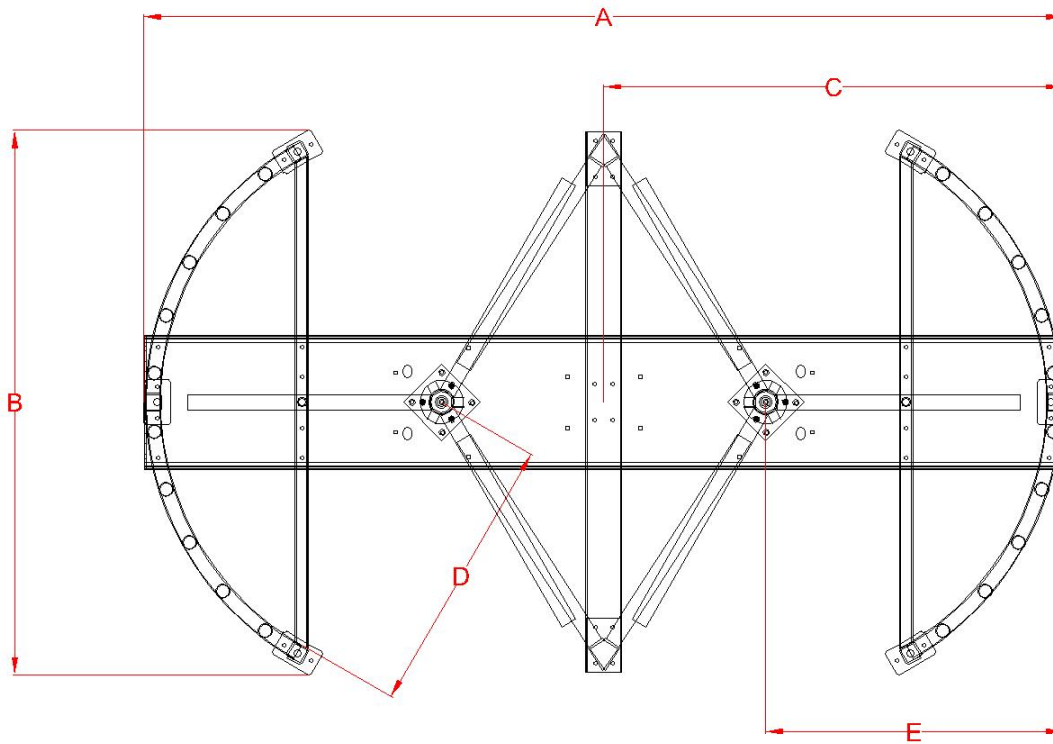
VERIFY YOU HAVE ALL PARTS AND HARDWARE LISTED BELOW

- 1. 1-TURNSTILE HEADER WITH 2 -LOCKING MECHANISMS AND LID
- 2. 2 - ROTORS
- 3. 2 -BOTTOM BEARING ASSEMBLIES
- 4. 2 -CAGES
- 5. 2 -COMBS
- 6.1 -CROSSMEMBER
- 7.INCLUDED INSTALLATION HARDWARE BOX (SEE HARDWARE CHECKLIST IN BOX)
- 8.TOUCH UP PAINT (POWDER COATED ONLY)

OUTLAW INDUSTRIES 3475 S. CALHAN HWY CALHAN, CO 80808 SALES@OUTLAWINDUSTRIES.CO	JESSE JAMES: 719-427-2233 JESSE JAMES JR: 719-427-2241 SHOP: 1-800-590-0464
---	---

TANDEM FULL HEIGHT TURNSTILE GENERAL DIMENSIONS

MODEL	(A)	(B)	(C)	(D)	(E)
AG-27-TT	91 1/4"	55 7/16"	46 5/8"	28 1/8"	30 1/8"
AG-30-TT	102 1/4"	60 9/16"	51 1/8"	31 1/8"	33 1/8"



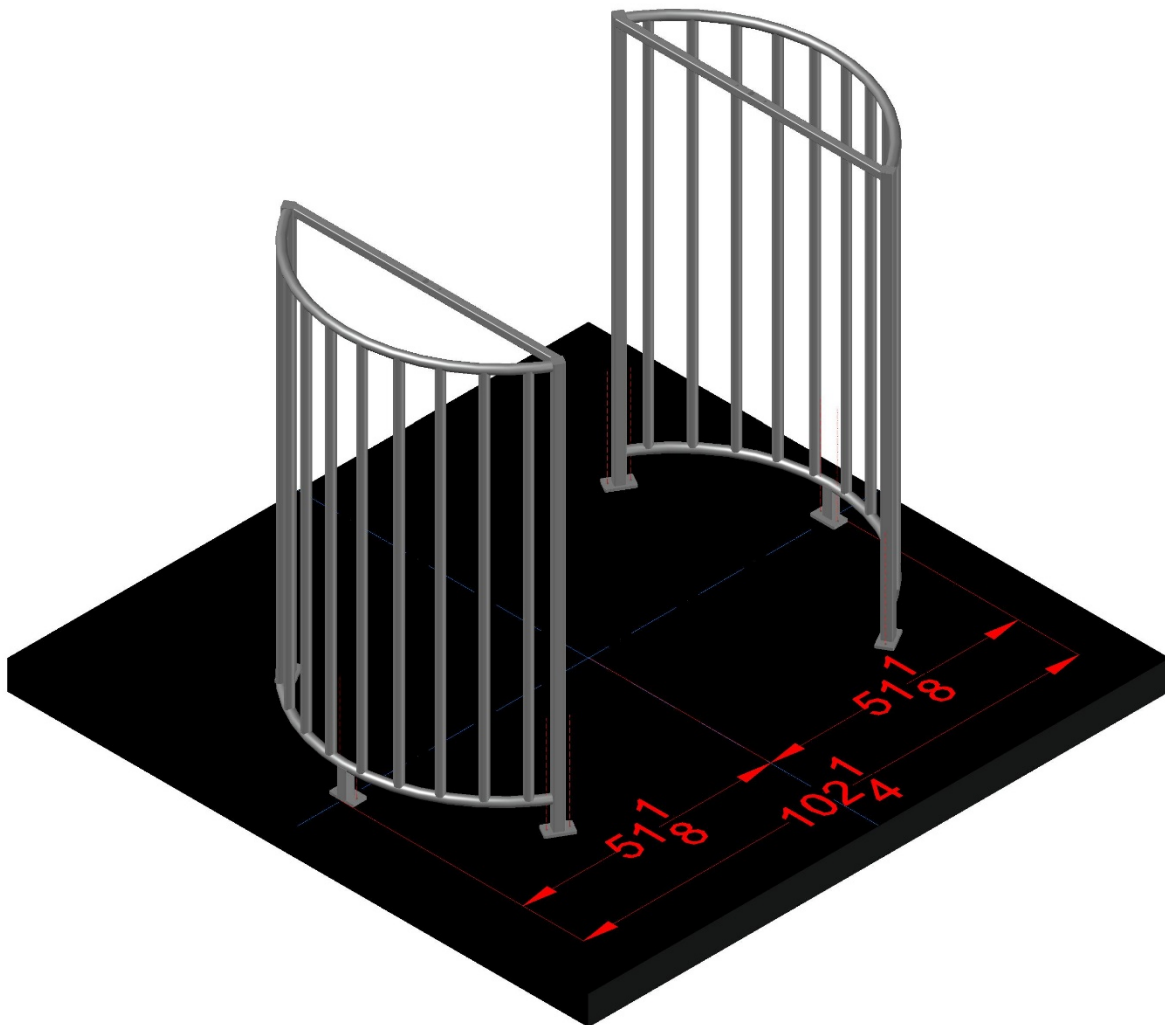
TANDEM FULL HEIGHT TURNSTILE NOMENCLATURE

AG	30	TT	GV	2E
SERIES	PASSAGE WIDTH IN INCHES 27 30	TT- FOR TANDEM TURNSTILE HHTT- HALF HEIGHT TANDEM TURNSTILE TQHTT- THREE QUARTER HEIGHT TANDEM TURNSTILE	GV- GALVANIZED PC- POWDER COATED POG- POWDER COATED OVER GALVANIZED SS- STAINLESS STEEL	2E- 2 WAY ELECTRONIC PASSAGE CONTROL 1E- 1 WAY ELECTRONIC PASSAGE CONTROL M- MECHANICALLY LOCKED ONE DIRECTION, FREE EXIT THE OTHER DIRECTION

<p>OUTLAW INDUSTRIES 3475 S. CALHAN HWY CALHAN, CO 80808 SALES@OUTLAWINDUSTRIES.CO</p>	<p>JESSE JAMES: 719-427-2233 JESSE JAMES JR: 719-427-2241 SHOP: 1-800-590-0464</p>
---	--

INSTALLATION

1. STARTING WITH A LEVEL CONCRETE SLAB OR EQUIVALENT, BEGIN THE LAYOUT PROCESS BY SNAPPING A CENTER LINE AND A CROSS LINE FOR THE TURNSTILE ENTRANCE. STAND UP THE CAGES ON THE CENTER LINE AND MEASURE THE APPROPRIATE DISTANCE FOR THE MODEL OF TURNSTILE. (SEE GENERAL DIMENSIONS CHART FOR MEASUREMENTS)



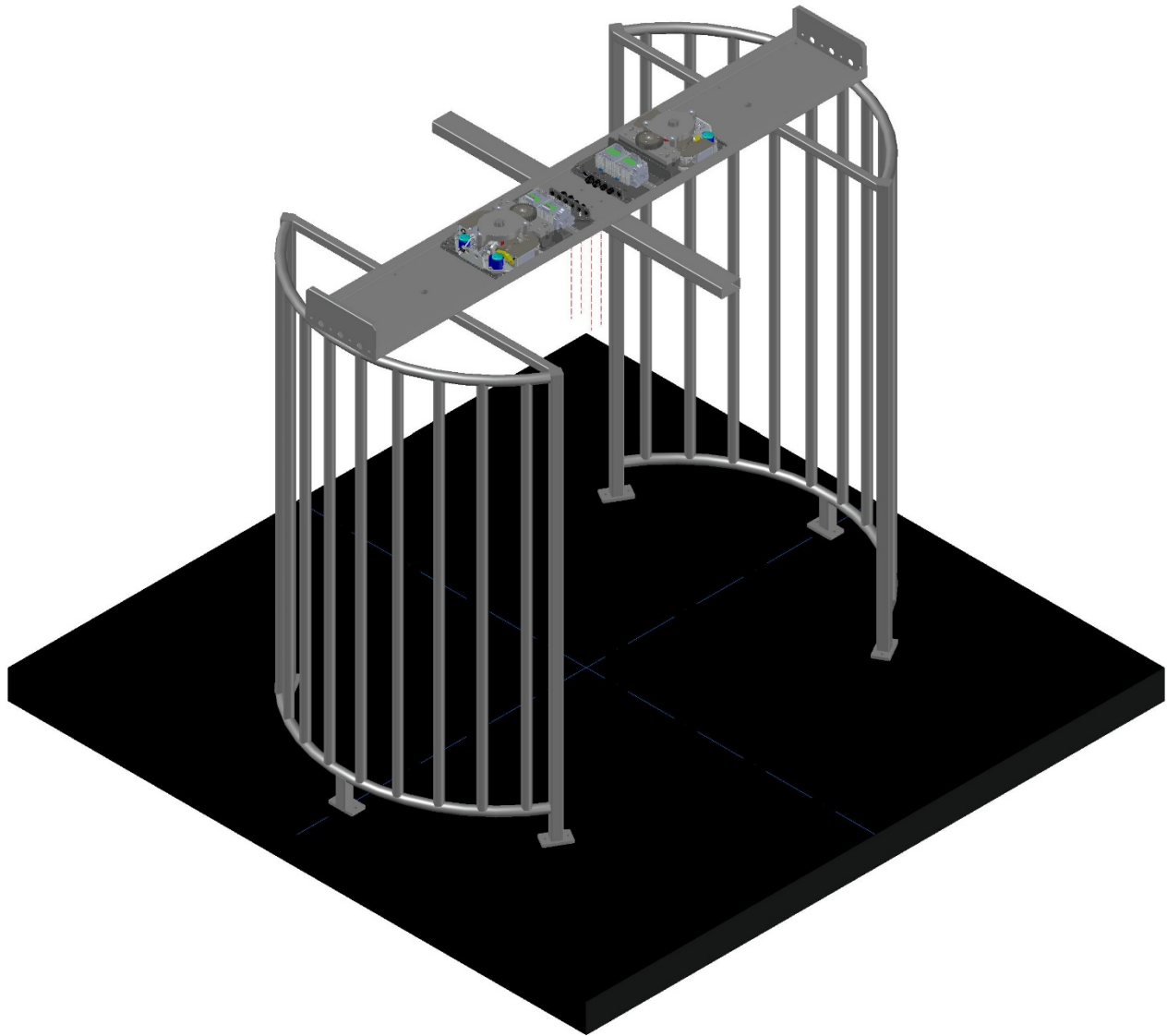
2. LOOSELY BOLT THE HEADER TO CAGES AND SQUARE THEM UP BY MEASURING TO THE CENTER POINT. REFER TO THE GENERAL DIMENSIONS TO SEE WHAT THIS MEASUREMENT WOULD BE FOR EACH MODEL OF TURNSTILE. ONCE SQUARE, MARK THE HOLES ON THE CAGE FEET AND ANCHOR USING PROVIDED ANCHORS.



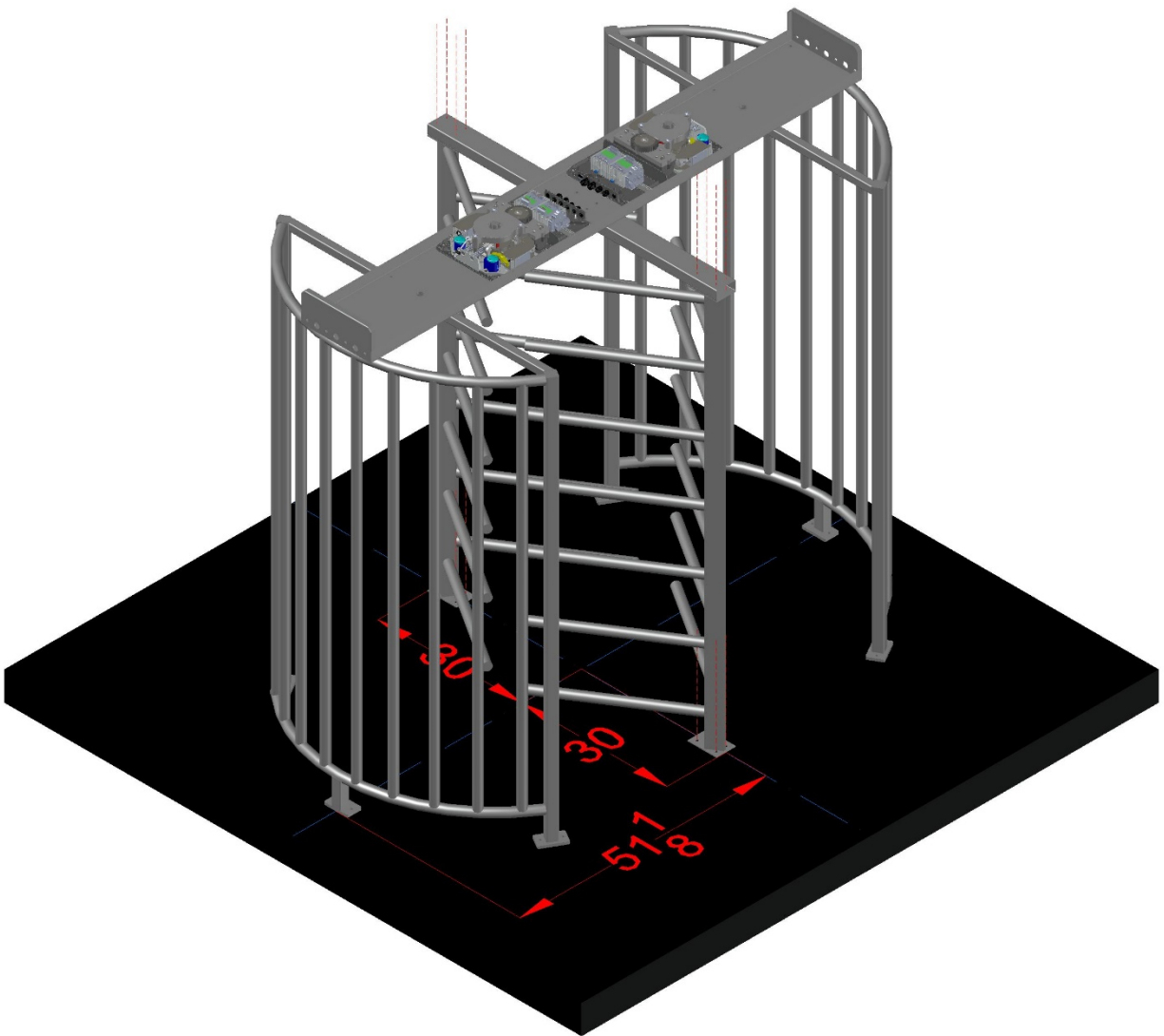
OUTLAW INDUSTRIES
3475 S. CALHAN HWY
CALHAN, CO 80808
SALES@OUTLAWINDUSTRIES.CO

JESSE JAMES: 719-427-2233
JESSE JAMES JR: 719-427-2241
SHOP: 1-800-590-0464

3. ATTACH THE COMB CROSSMEMBER WITH PROVIDED BOLTS.



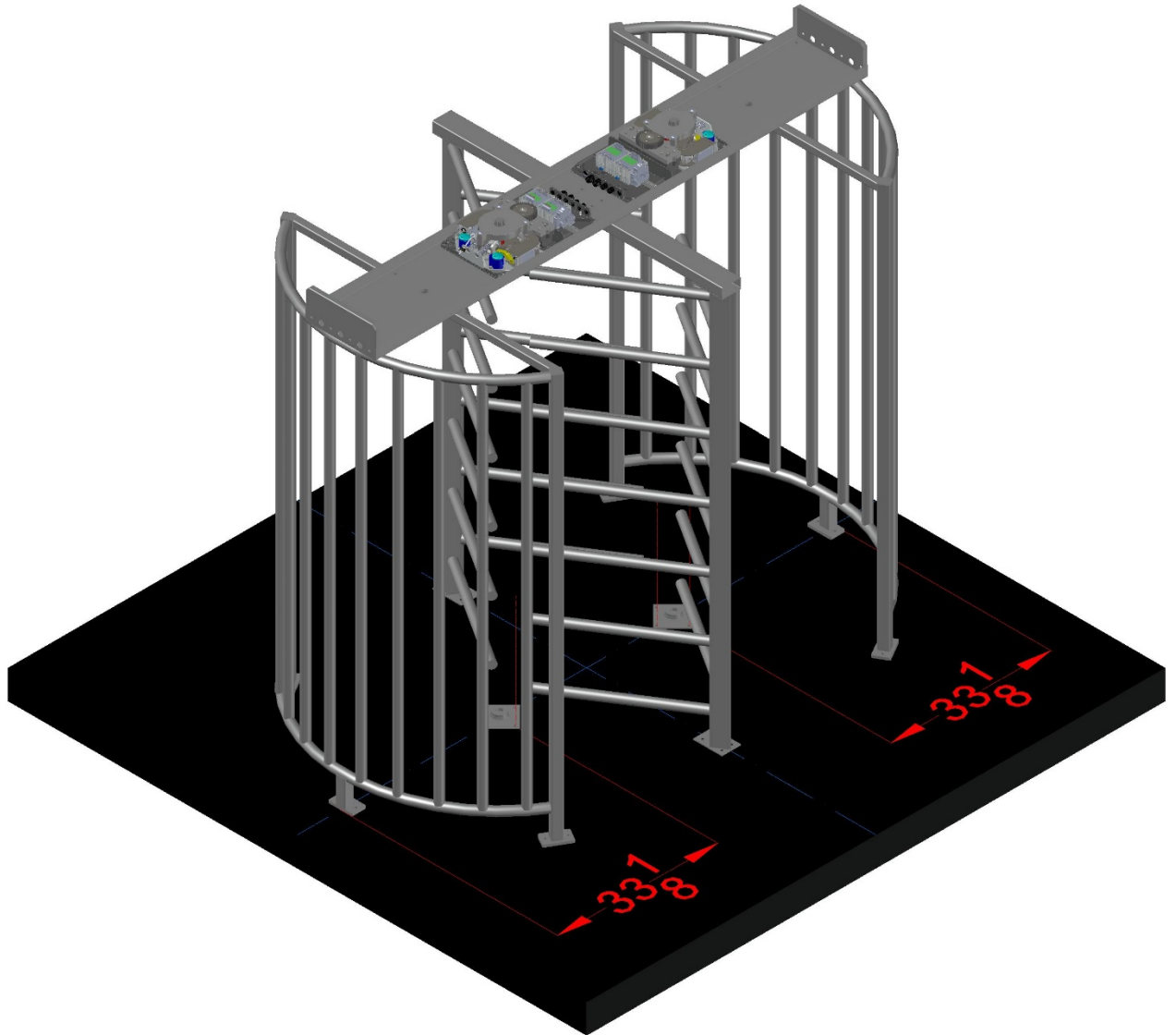
4. THE COMBS WILL BE LABELED TOP AND BOTTOM ON THE ANCHOR AND BOLT PLATES. ATTACH THE COMBS TO THE CROSSMEMBER WITH PROVIDED BOLTS LOOSELY. ALIGN AND ANCHOR THE BOTTOM OF THE COMBS REFERRING TO THE GENERAL DIMENSIONS FOR THE MODEL OF TANDEM TURNSTILE.



OUTLAW INDUSTRIES
3475 S. CALHAN HWY
CALHAN, CO 80808
SALES@OUTLAWINDUSTRIES.CO

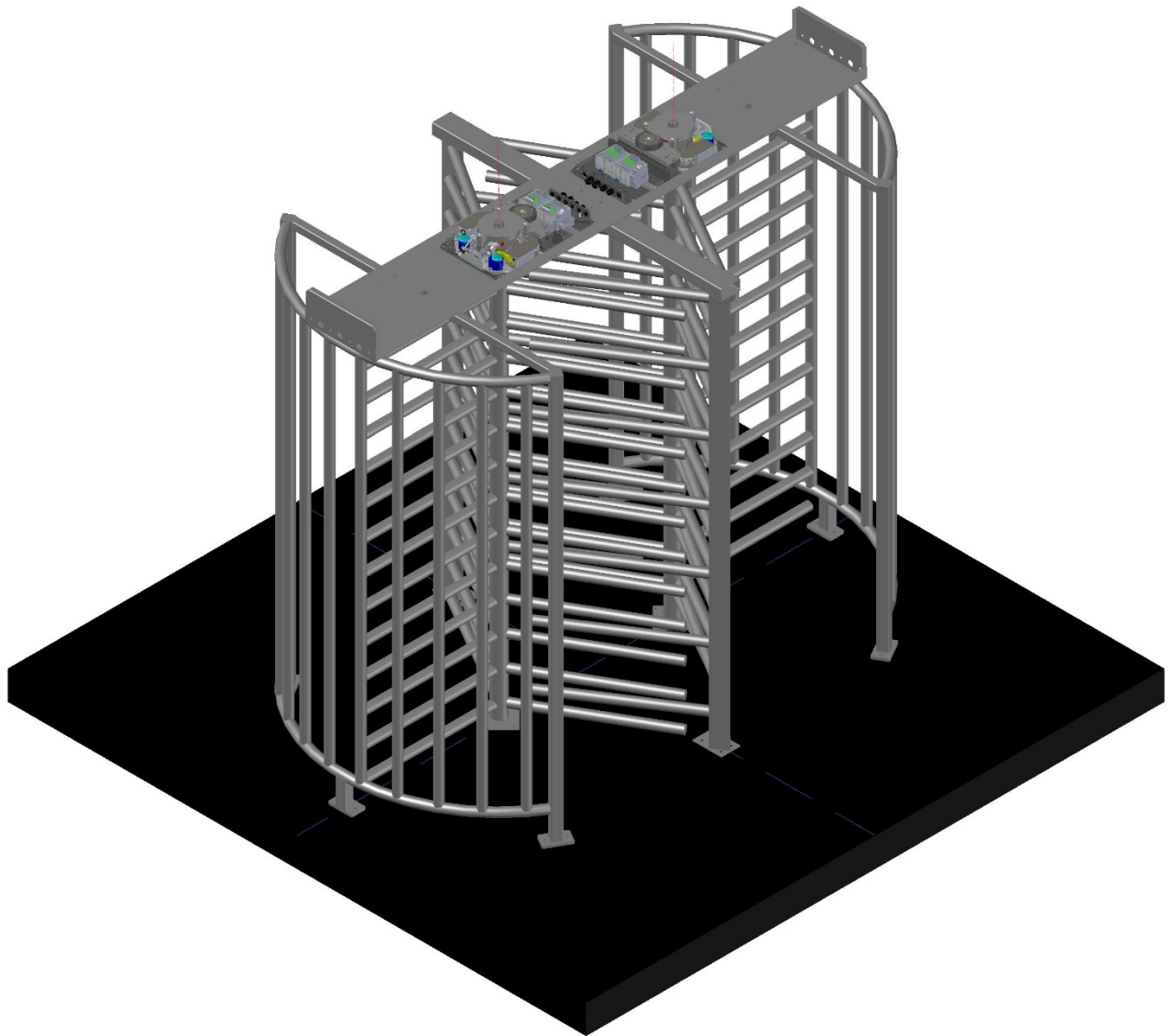
JESSE JAMES: 719-427-2233
JESSE JAMES JR: 719-427-2241
SHOP: 1-800-590-0464

5. INSTALL THE BOTTOM BEARING PLATES WITH THE SUPPLIED ANCHORS REFERRING TO THE GENERAL DIMENSIONS FOR THE MODEL OF TANDEM TURNSTILE.



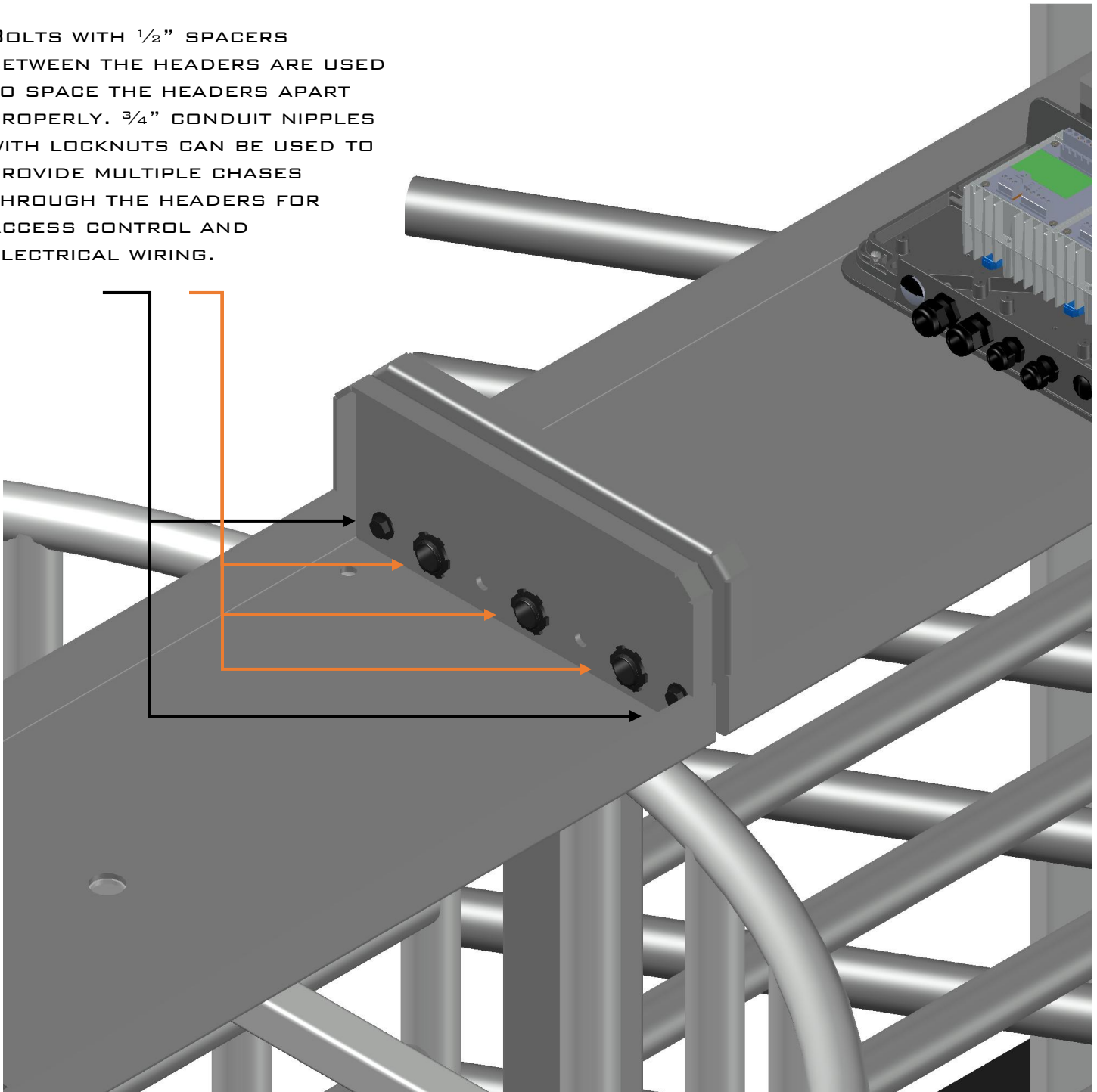
<p>OUTLAW INDUSTRIES 3475 S. CALHAN HWY CALHAN, CO 80808 SALES@OUTLAWINDUSTRIES.CO</p>	<p>JESSE JAMES: 719-427-2233 JESSE JAMES JR: 719-427-2241 SHOP: 1-800-590-0464</p>
---	--

6. THE ROTORS ARE NOT THE SAME ON A TANDEM TURNSTILE.
INSTALL THE ROTORS SO THAT THE ARMS FIT IN BETWEEN THE
COMB ARMS. ONCE PLACED ON THE BOTTOM BEARING ASSEMBLY
TIP THE ROTOR INTO PLACE AND INSTALL THE SPLINE SHAFT.
BELOW IS CORRECT ALIGNMENT OF THE ROTORS WHILE LOCKED.

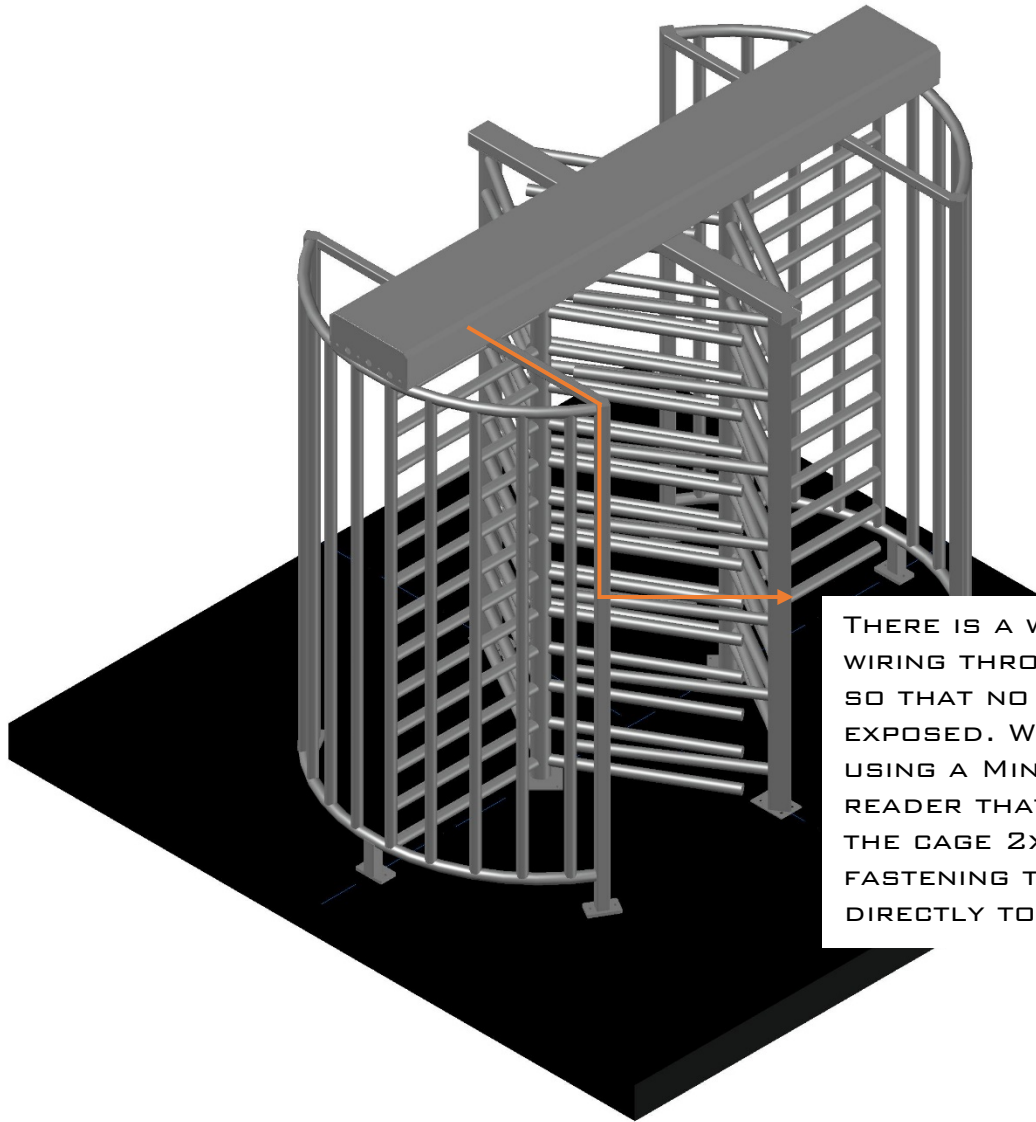


7. IF YOU HAVE ADDITIONAL OUTLAW TURNSTILES OR ADA GATES THAT GO IN THE ENTRANCE ARRAY, USE THE BOLTS IN THE HARDWARE BOX TO BOLT THEM TOGETHER WITH THE 1/2" SPACERS BETWEEN THE HEADERS.

BOLTS WITH 1/2" SPACERS BETWEEN THE HEADERS ARE USED TO SPACE THE HEADERS APART PROPERLY. 3/4" CONDUIT NIPPLES WITH LOCKNUTS CAN BE USED TO PROVIDE MULTIPLE CHASES THROUGH THE HEADERS FOR ACCESS CONTROL AND ELECTRICAL WIRING.



1. INSTALL THE LID. CONSULT WITH ELECTRICIANS AND ACCESS CONTROL CONTRACTORS TO APPLY POWER AND CONTROL THE TURNSTILE WITH ACCESS CONTROL SYSTEM.



THERE IS A WIRE CHASE FOR WIRING THROUGH THE CAGE SO THAT NO WIRING IS EXPOSED. WE RECOMMEND USING A MINI MULLION READER THAT WILL FIT ON THE CAGE 2X2 AND FASTENING THE READER DIRECTLY TO THE CAGE.

ELECTRICAL REQUIREMENTS

INPUT VOLTAGE	120V (240V SPECIAL ORDER)
FREQUENCY	50/60 HZ
AMPERAGE DRAW	.5 - 1 AMPS (UNLESS ENCLOSURE HEATER IS ADDED = +5 AMPS)
OPERATING TEMPERATURE	-40 °F - 120 °F

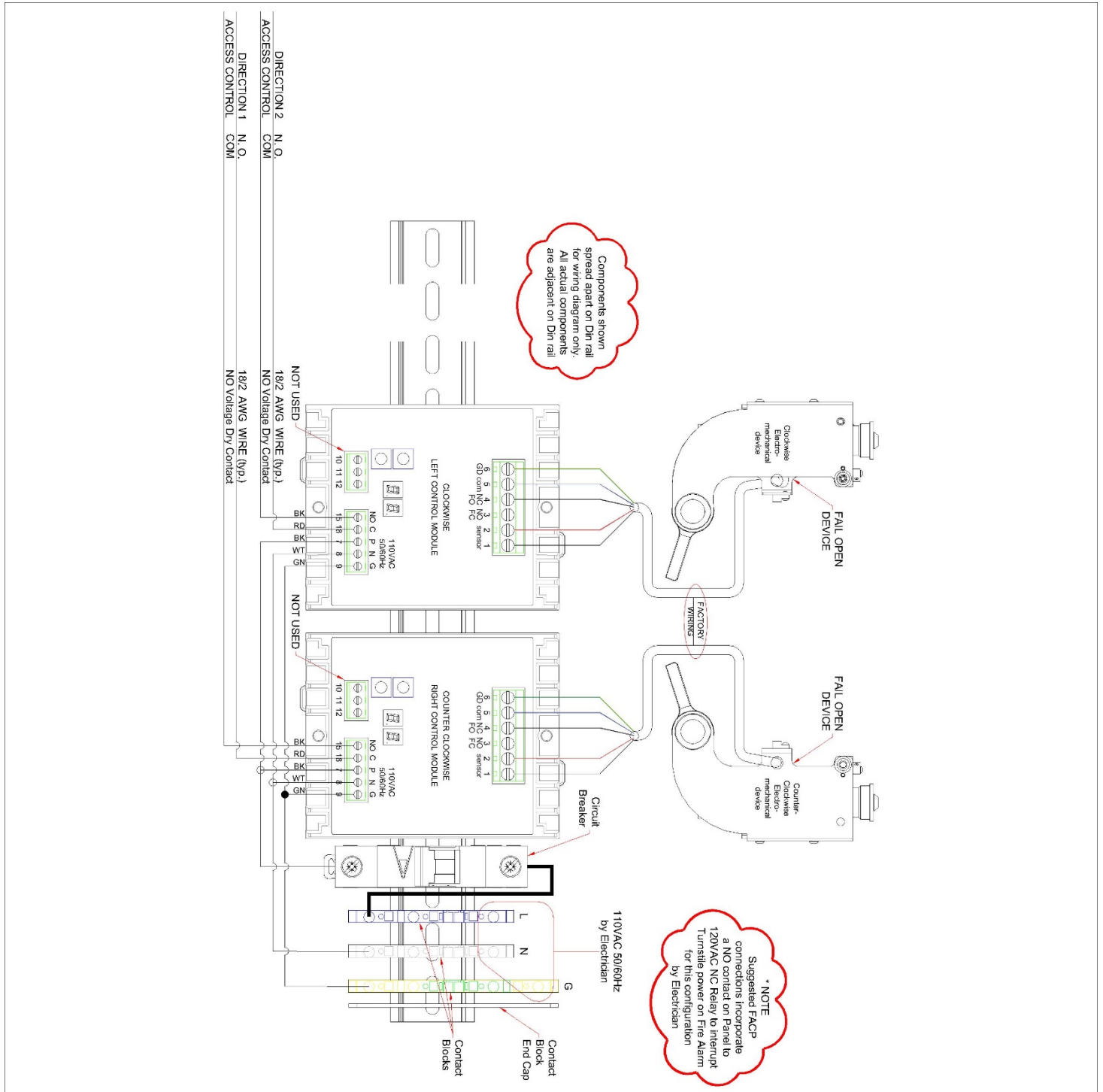
ACCESS CONTROL REQUIREMENTS

INPUT TRIGGER	NORMALLY OPEN DRY CONTACT / NO VOLTAGE
MINIMUM TRIGGER PULSE	1 SECOND
RECOMMENDED WIRE SIZE	18G 18/4
FIRE RELEASE	FIRE RELAY REMOVES POWER FROM TURNSTILE IN CASE OF EMERGENCY (TURNSTILE MUST BE CONFIGURED WITH FAIL OPEN SOLENOIDS TO ACHIEVE THIS)

OUTLAW INDUSTRIES
3475 S. CALHAN HWY
CALHAN, CO 80808
SALES@OUTLAWINDUSTRIES.CO

JESSE JAMES: 719-427-2233
JESSE JAMES JR: 719-427-2241
SHOP: 1-800-590-0464

WIRING SCHEMATIC



OUTLAW INDUSTRIES 3475 S. CALHAN HWY CALHAN, CO 80808 SALES@OUTLAWINDUSTRIES.CO	JESSE JAMES: 719-427-2233 JESSE JAMES JR: 719-427-2241 SHOP: 1-800-590-0464
---	--

4

3

2

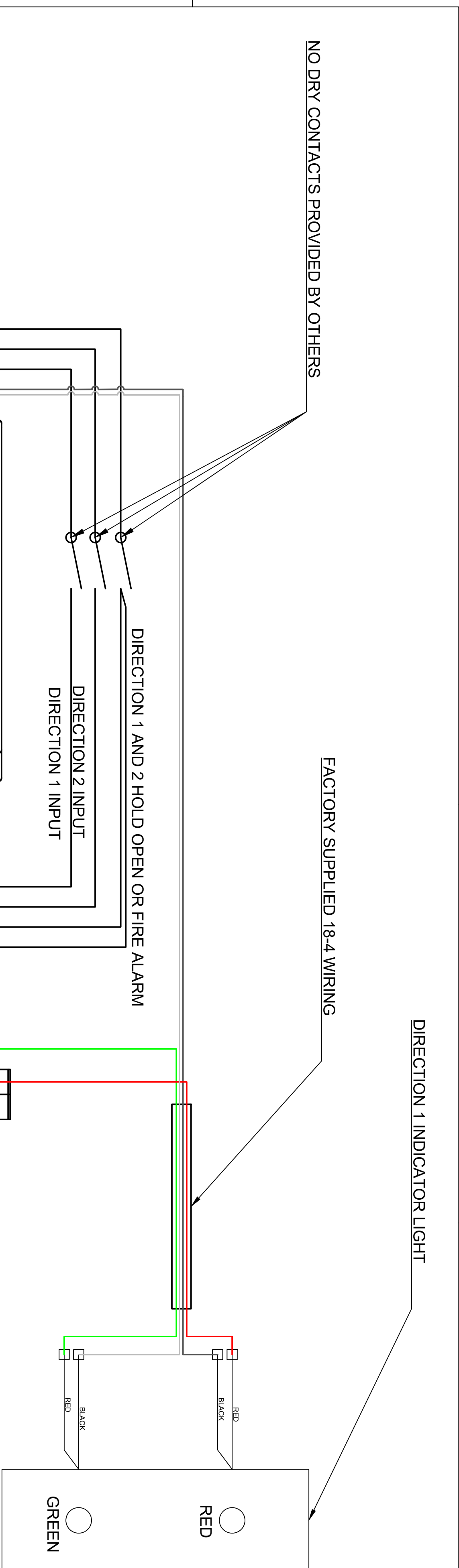
1

D

NO DRY CONTACTS PROVIDED BY OTHERS

FACTORY SUPPLIED 18-4 WIRING

DIRECTION 1 INDICATOR LIGHT



C

C

B

B

110V
2A
16A WITH COLD WEATHER PACKAGE

A

A

4

3

2

1

* This document is protected by the Copyright Laws of the United States Copyrights Office.
 * This document is not to be distributed without the written permission of Outlaw Industries "LLC".
 * This design is subject to change at anytime without notice.
 * Field measurement may vary



PROJECT
LOGIC CONTROLLER WIRING
 TITLE
LOGIC CONTROLLER FOR FULL HEIGHT TURNSTILES RELAY VERSION

APPROVED	SIZE	CODE	DWG NO	REV
CHECKED	C			
DRAWN	Jesse Moses	5/25/2021	SCALE 1:1	SHEET 1/1

WARRANTY AND DISCLAIMER

WARRANTY

THANK YOU FOR YOUR INTEREST IN THE PRODUCTS AND SERVICES OF OUTLAW INDUSTRIES.

THIS LIMITED WARRANTY APPLIES TO PHYSICAL GOODS, AND ONLY FOR PHYSICAL GOODS, PURCHASED FROM OUTLAW INDUSTRIES.

WHAT DOES THIS LIMITED WARRANTY COVER?

THIS LIMITED WARRANTY COVERS ANY DEFECTS IN MATERIAL OR WORKMANSHIP UNDER NORMAL USE DURING THE WARRANTY PERIOD.

DURING THE WARRANTY PERIOD, OUTLAW INDUSTRIES WILL REPAIR OR REPLACE, AT NO CHARGE, PRODUCTS OR PARTS OF A PRODUCT THAT PROVES DEFECTIVE BECAUSE OF IMPROPER MATERIAL OR WORKMANSHIP, UNDER NORMAL USE AND MAINTENANCE.

WHAT WILL WE DO TO CORRECT PROBLEMS?

OUTLAW INDUSTRIES WILL REPAIR THE PRODUCT AT NO CHARGE, USING NEW OR REFURBISHED REPLACEMENT PARTS.

HOW LONG DOES THE COVERAGE LAST?

THE WARRANTY PERIOD FOR PHYSICAL GOODS PURCHASED FROM OUTLAW INDUSTRIES IS 18 MONTHS FROM THE DATE OF SHIPMENT TO THE END USER.

WHAT DOES THIS LIMITED WARRANTY NOT COVER?

THIS LIMITED WARRANTY DOES NOT COVER ANY PROBLEM THAT IS CAUSED BY:

- CONDITIONS, MALFUNCTIONS OR DAMAGE NOT RESULTING FROM DEFECTS IN MATERIAL OR WORKMANSHIP
- SHIPPING COST FOR REPAIR, OR DAMAGE FROM SHIPPING

WHAT DO YOU HAVE TO DO?

TO OBTAIN WARRANTY SERVICE, CONTACT US TO DETERMINE THE PROBLEM AND THE MOST APPROPRIATE SOLUTION FOR YOU. IF DEFECTS ARE CONSIDERED PRODUCT MUST BE SHIPPED BY CUSTOMER TO OUTLAW INDUSTRIES, IF DEFECTS ARE COVERED UNDER WARRANTY PRODUCT WILL BE REPAIRED AND SHIPPED BACK TO CUSTOMER BY OUTLAW INDUSTRIES.

OUTLAW INDUSTRIES
3475 S. CALHAN HWY
CALHAN, CO 80808
SALES@OUTLAWINDUSTRIES.CO

JESSE JAMES: 719-427-2233
JESSE JAMES JR: 719-427-2241
SHOP: 1-800-590-0464