



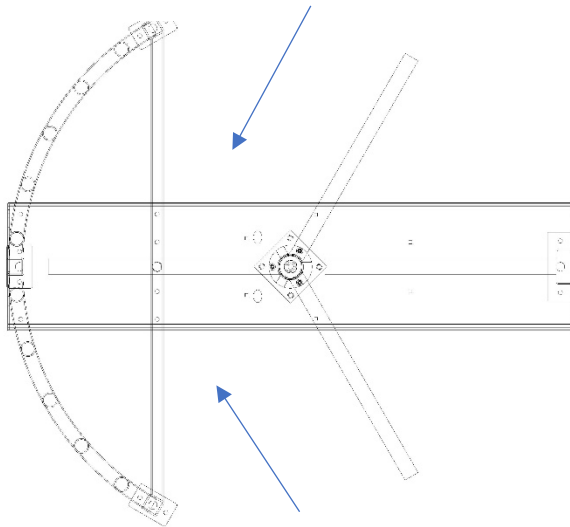
TURNSTILE PRODUCTION ORDER

PLEASE FILL OUT THIS PRODUCTION SHEET(S) AND RETURN TO JESSEJAMESJR@OUTLAWINDUSTRIES.CO OR JESSEJAMES@OUTLAWINDUSTRIES.CO. PLEASE FILL OUT A SHEET FOR EACH TURNSTILE YOU HAVE IF THEY ARE CONFIGURED DIFFERENTLY. IF THEY ARE CONFIGURED IDENTICALLY FILL OUT THE QUANTITY SECTION ACCORDINGLY.

MODEL: _____	CUSTOMER: _____
FINISH: _____	PROJECT: _____
COLOR: _____	SHIP TO: _____
LOCK CONFIG: _____	CONTACT: _____
QUANTITY: _____ OF _____	PHONE: _____
NOTES: _____	DATE: _____
	SIGNATURE: _____

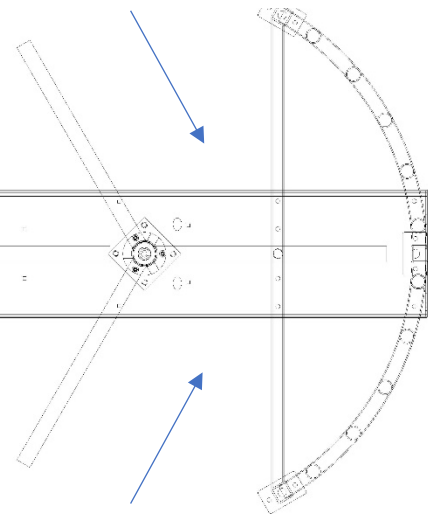
THE ORIENTATION OF THE TURNSTILE IS DIRECTLY RELATED TO THE LOCKING CONFIGURATION. FOR THE ELECTRIC LOCK, PLEASE REMEMBER FAIL CLOSE MEANS THE TURNSTILE LOCKS ON POWER LOSS AND FAIL LOCK MEANS IT LOCKS ON POWER LOSS. PLEASE CHOOSE ONE BELOW.

- Electric Lock (fail open)
- Electric Lock (fail close)
- Free Spin
- No Passage



OR

- Electric Lock (fail open)
- Electric Lock (fail close)
- Free Spin
- No Passage



- Electric Lock (fail open)
- Electric Lock (fail close)
- Free Spin
- No Passage

- Electric Lock (fail open)
- Electric Lock (fail close)
- Free Spin
- No Passage

UNSECURE SIDE(ENTRY)

OUTLAW INDUSTRIES 3475 S. CALHAN HWY CALHAN, CO 80808 SALES@OUTLAWINDUSTRIES.CO	JESSE JAMES: 719-427-2233 JESSE JAMES JR: 719-427-2241 SHOP: 1-800-590-0464
--	--