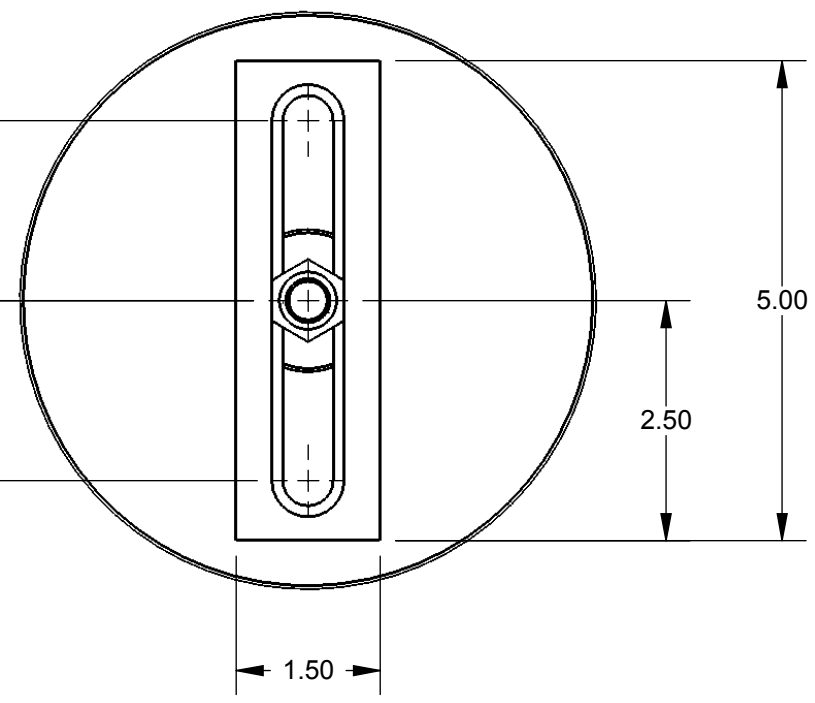
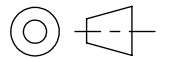


1.88
ADJUSTMENT
RANGE
1.88
ADJUSTMENT
RANGE



UNLESS OTHERWISE SPECIFIED:
DIMENSIONS ARE IN INCHES



THIRD ANGLE PROJECTION

SHUT IT
PO BOX 5464
TUCSON, AZ 85703

Phone: 520-320-0680
Fax: 520-320-0681



TITLE: 6" HC CANTILEVER		
SIZE A	DWG. NO. C12260	REV A
DATE	SCALE: 1:2	SHEET 1 OF 1