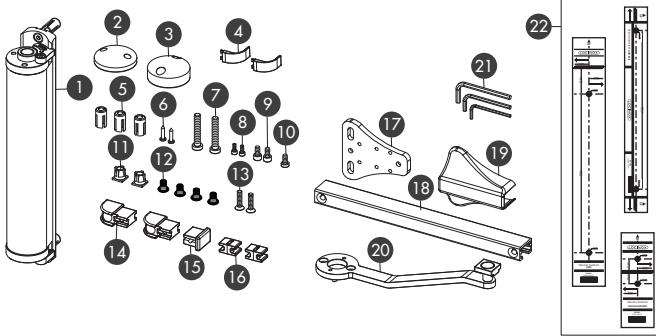


# LOCINOX®

Let's make better fences together

## LION

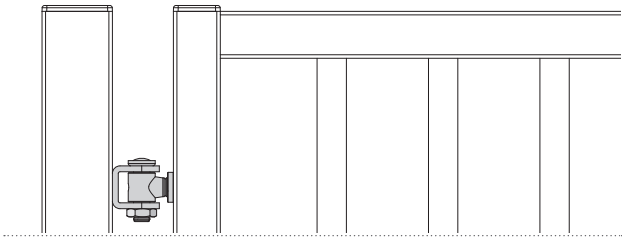
### ① Package content



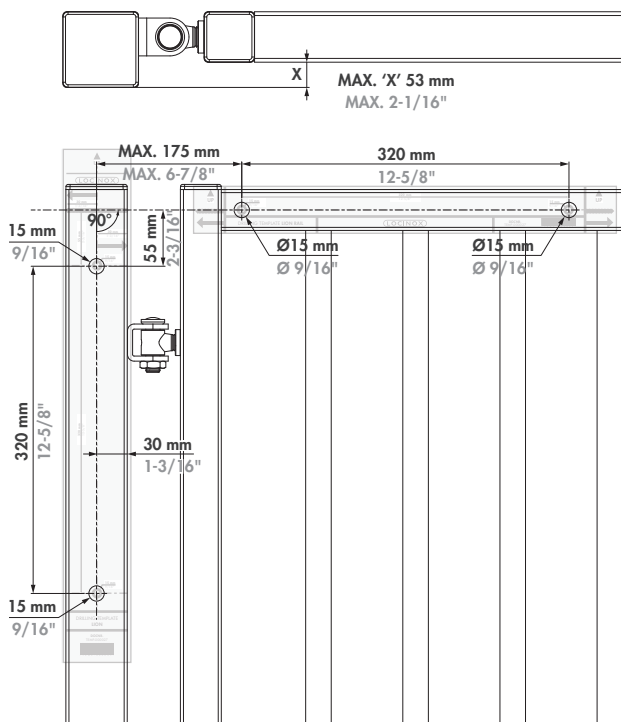
1	Lion	12	DIN 7991 M6 x 12
2	Top cap	13	DIN 7991-116x25
3	Bottom cap	14	Lion Rail cap
4	Lion Rail Cap Cover	15	Lion Railholder cap
5	Quick-Fix expander	16	Lion Railholder insert
6	DIN 7981-st. 3,9 x 19	17	Lion Railholder
7	DIN 7984-118x45	18	Lion Railholder cover
8	DIN 912-114x10	19	Lion Rail
9	DIN 912-116x12	20	Lion Arm
10	DIN 7984-116x12	21	Allen keys Hex 3, 4, 5 mm
11	Quick-Fix Splitter	22	Drilling templates

90°

### ② Mounting situation

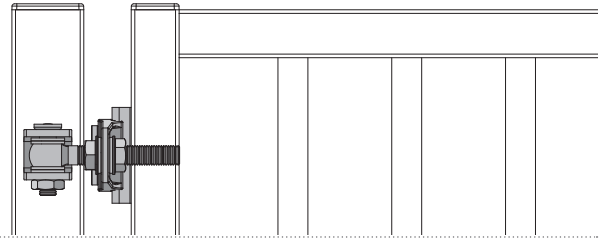


### ③ Drilling template

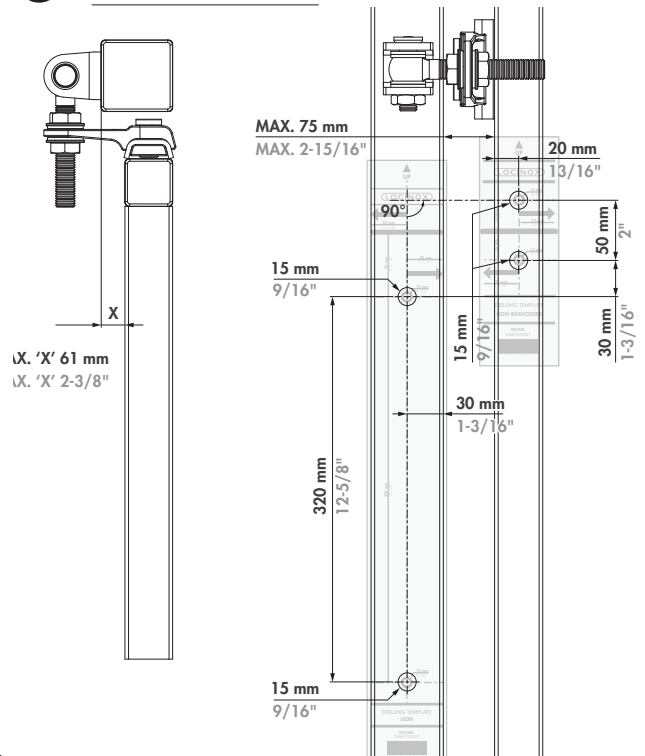


180°

### ② Mounting situation

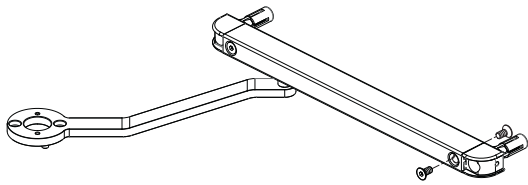
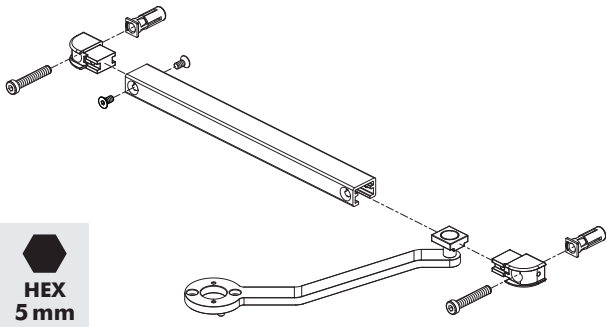


### ③ Drilling template



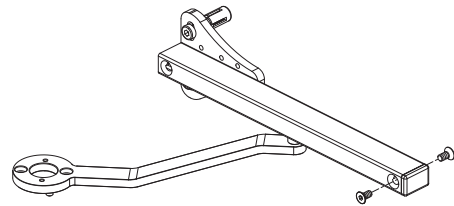
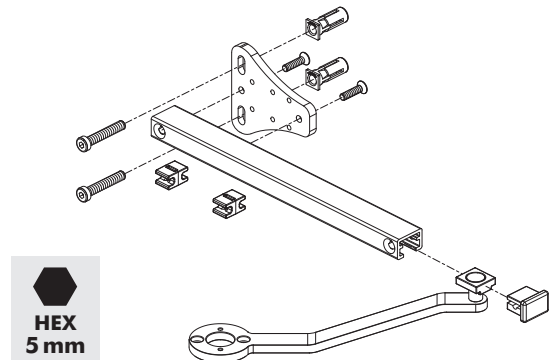
90°

④ Assembling Rail holder

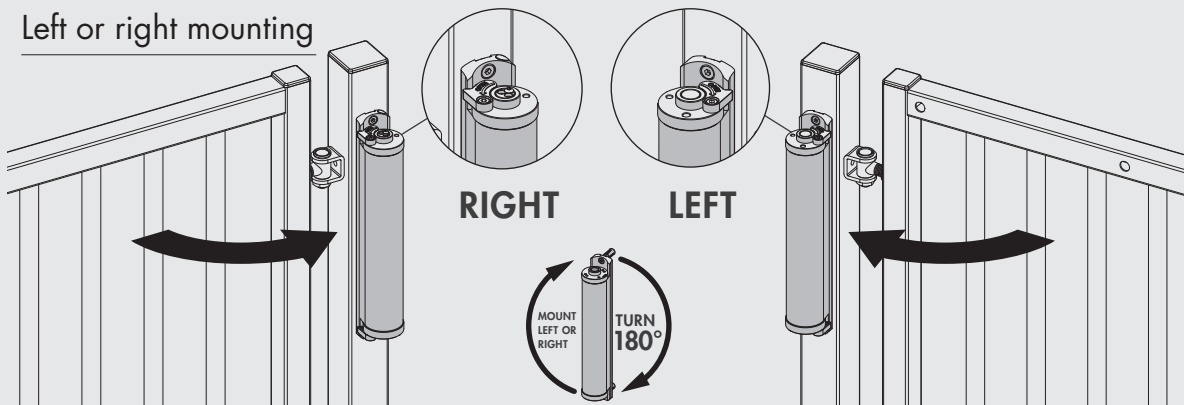


180°

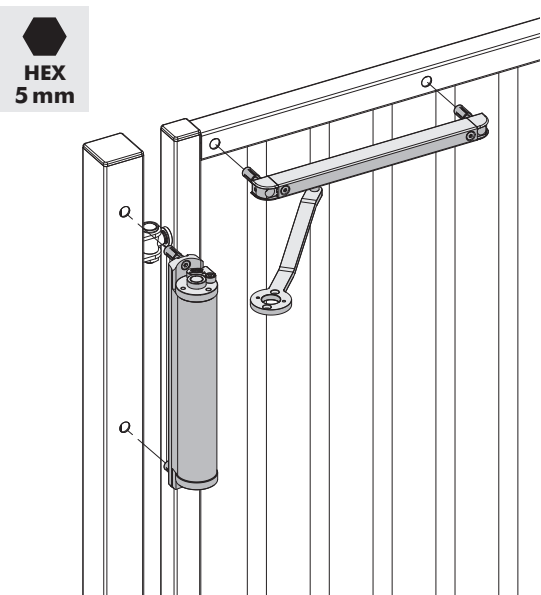
④ Assembling Rail holder



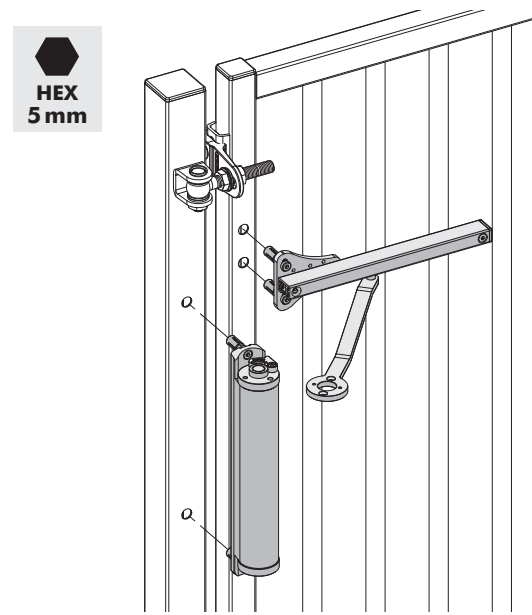
⑤ Left or right mounting



⑥ Gate closer installation

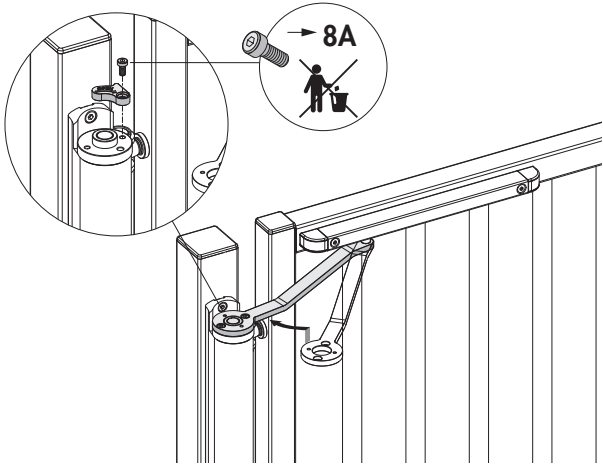


⑥ Gate closer installation



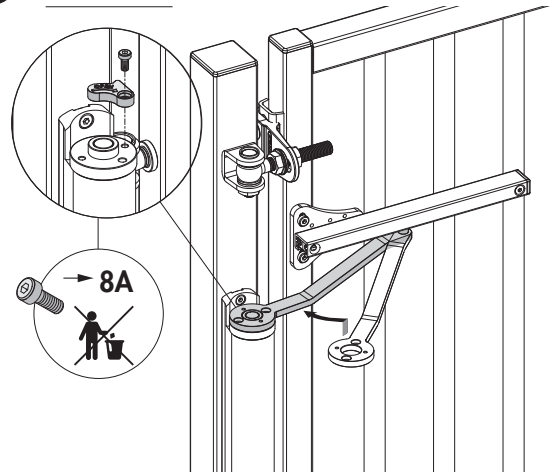
90°

⑦ Coupling

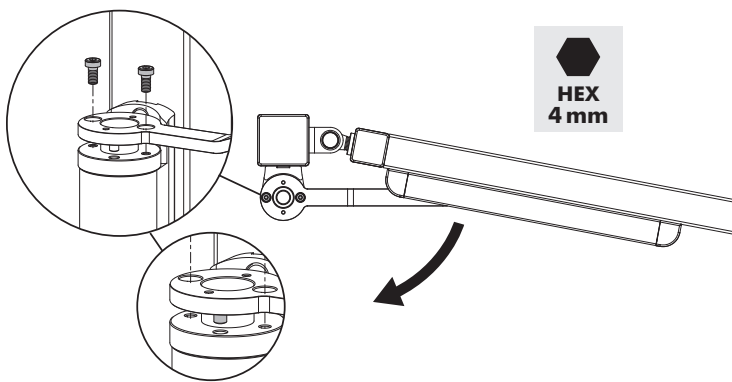


180°

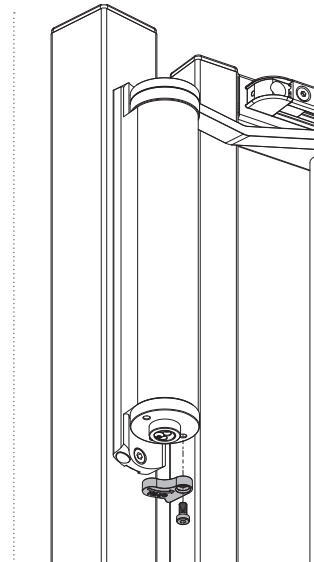
⑦ Coupling



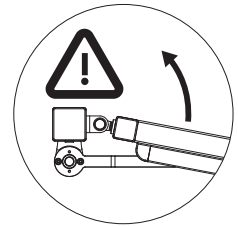
⑧ Pre-tension



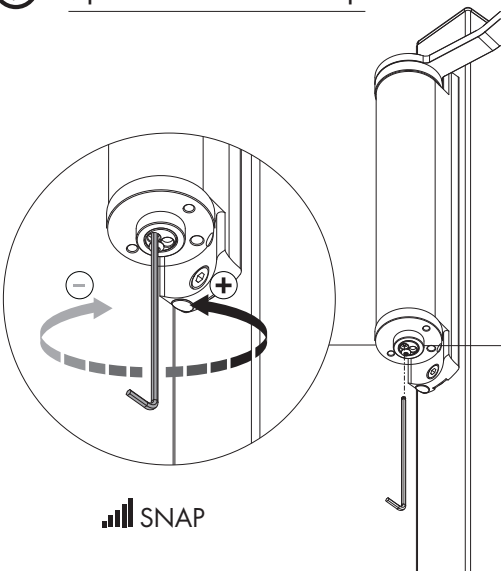
Ⓐ



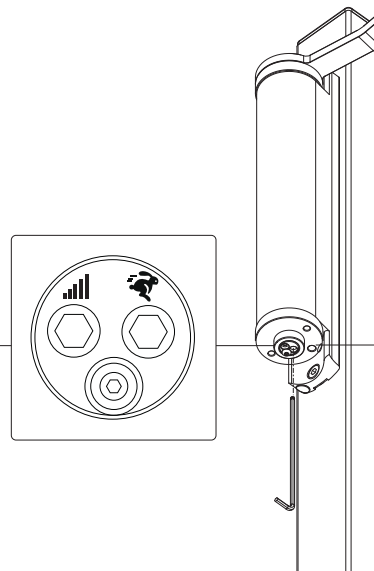
Ⓑ



⑨ Speed and final snap

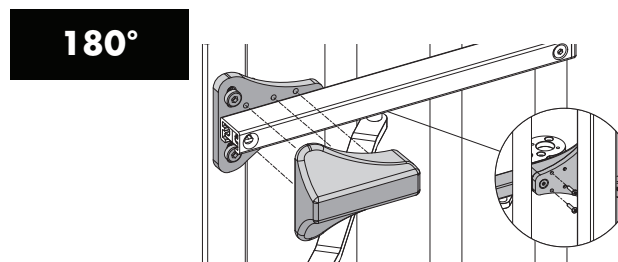
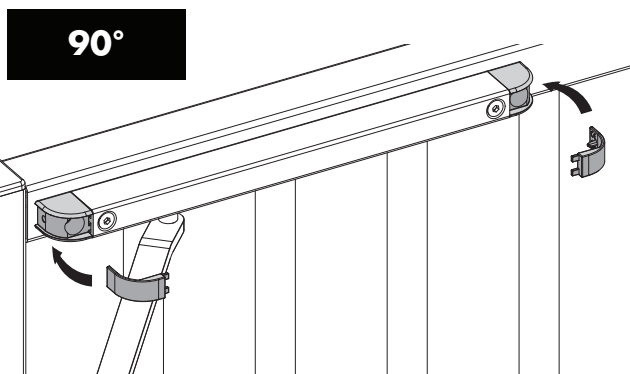
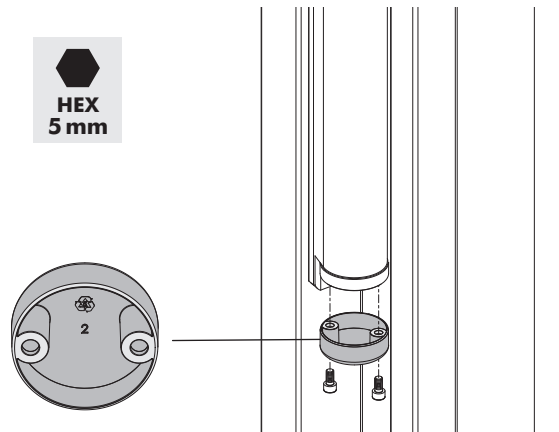
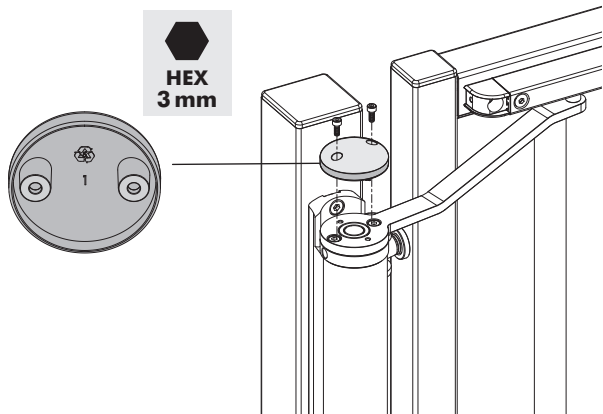


SNAP



SPEED

## ⑩ Finishing installation



**LOCINOX**<sup>®</sup>  
WWW.LOCINOX.COM

Doc. Nr.: MANU-000251

Locinox nv • Mannebeekstraat 21 • B-8790 Waregem • Belgium  
Tel. +32 (0)56 77 27 66 • Fax. +32 (0)56 77 69 26 • E-mail: locinox@locinox.com

