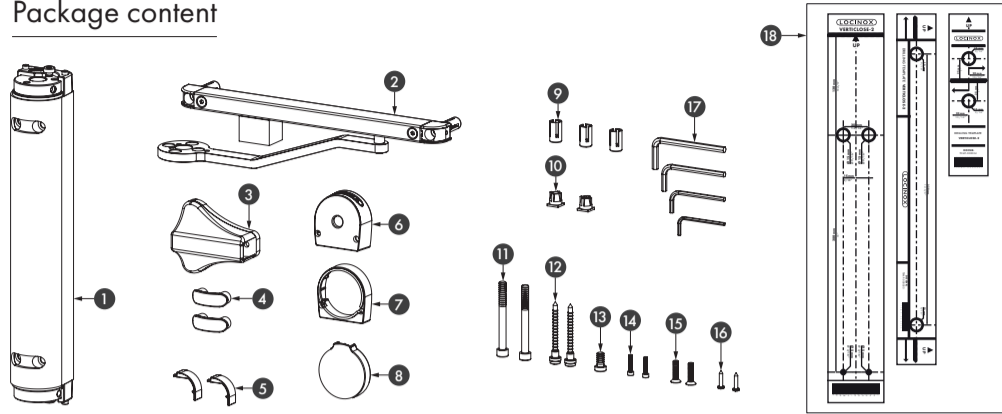


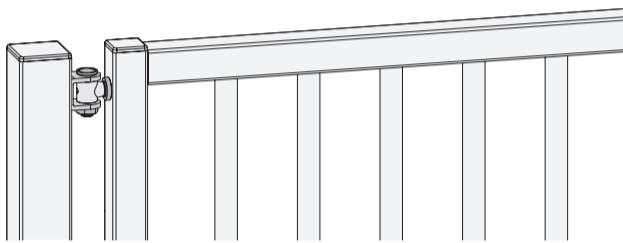
## ① Package content



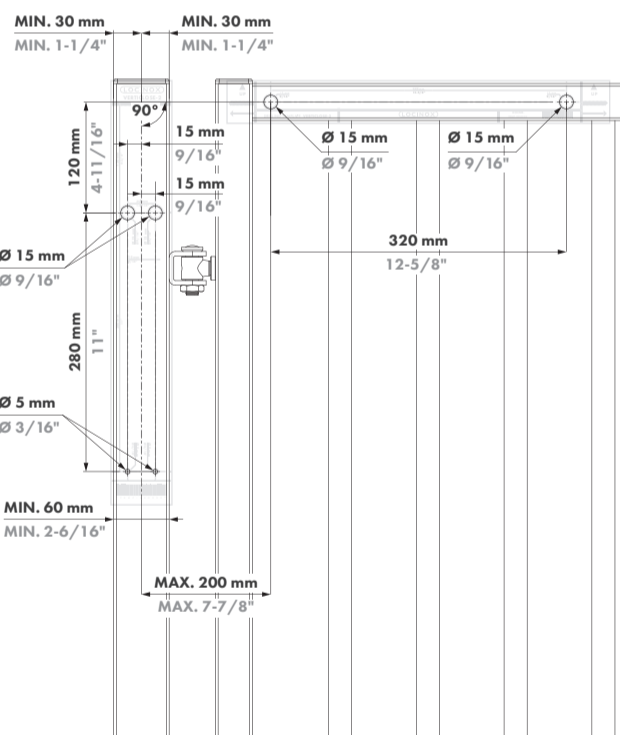
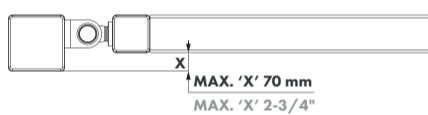
①	Verticlose-2	⑩	Quick-Fix Splitter
②	90° Arm	⑪	DIN 912 - M8x80
③	180° Arm Accessories	⑫	DIN 7504 - Ø 6,3x70
④	Verticlose-2 Cover	⑬	DIN 7984 - M8x16
⑤	90° Rail Cap Cover	⑭	DIN 912 - M4x20
⑥	Bottom Cap	⑮	DIN 7991 - M6x25
⑦	Top Cap	⑯	ISO 7049 - Ø 3,9x19 mm
⑧	Arm Cap	⑰	Allen keys Hex 3, 4, 5, 6 mm
⑨	Quick-Fix Expander	⑱	Drilling Templates

## 90°

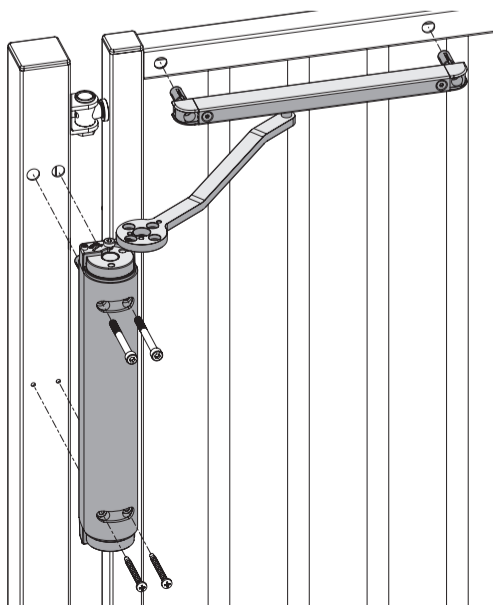
### ② Mounting situation



### ③ Add Drilling template



### ④ Install gate closer

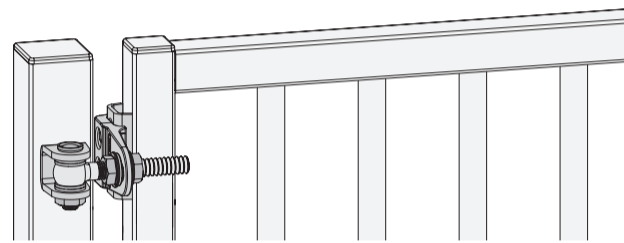


HEX  
4mm

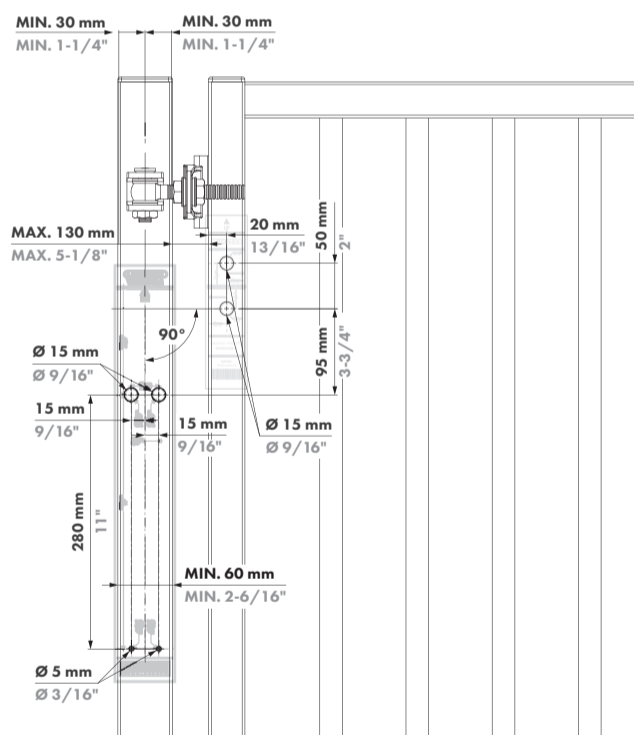
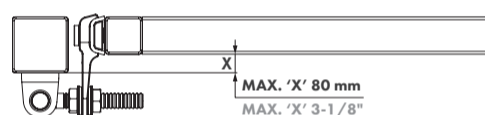


## 180°

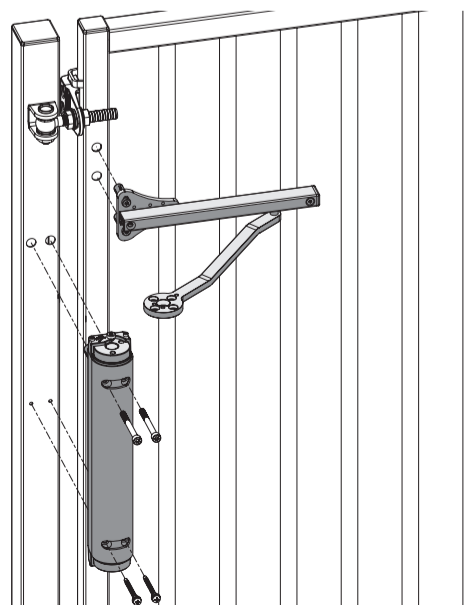
### ② Mounting situation



### ③ Add Drilling template



### ④ Install gate closer

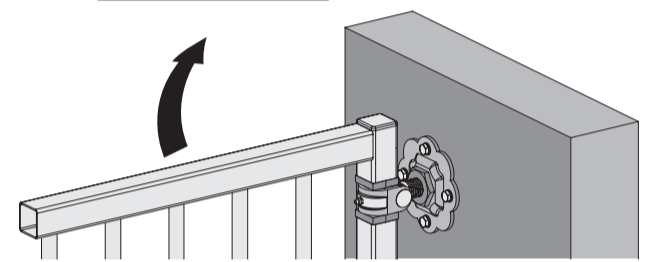


HEX  
4mm

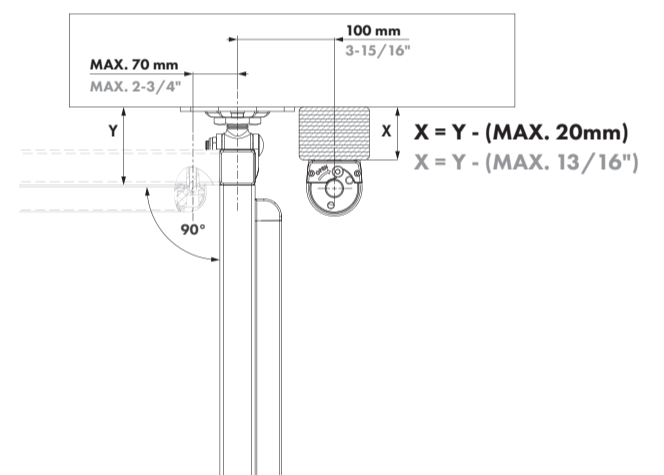


## Wall situation

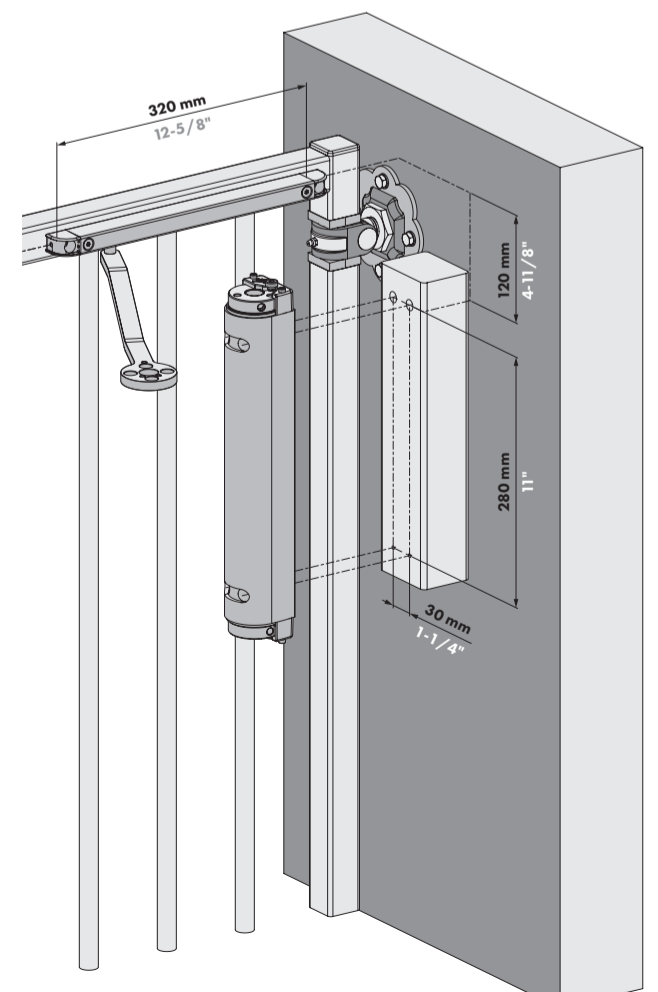
### ② Mounting situation



### ③ Add Drilling template



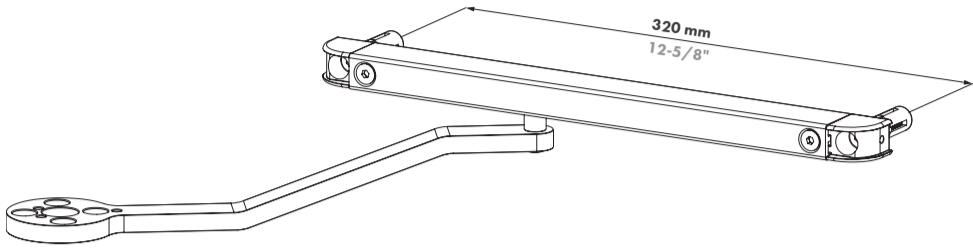
### ④ Install gate closer



90°

5 Rail holder

HEX  
3mm  
5mm

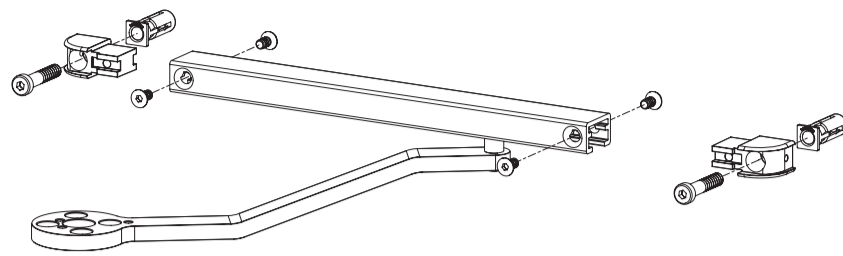


180°

5 Rail holder

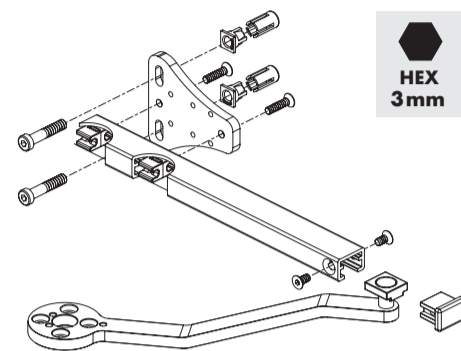
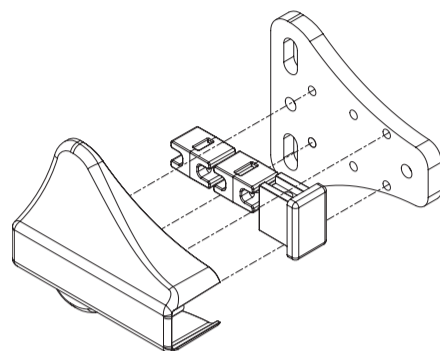
A: Disassemble Rail holder 90°

HEX  
3mm  
5mm



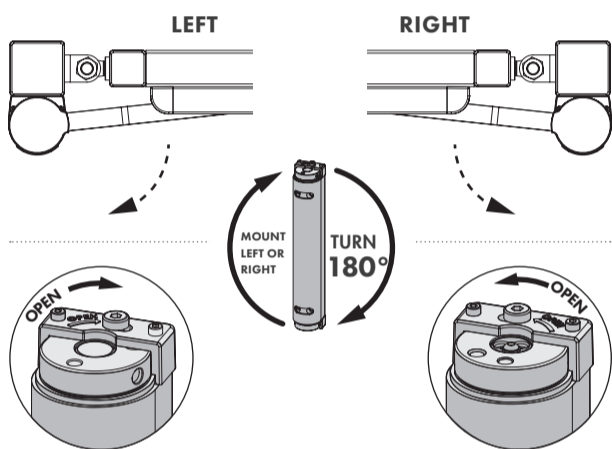
B: Disassemble 180° Rail holder

C: Install 180° Rail holder



HEX  
3mm

6 Left or right mounting



90° & 180°

7 Installing Arm

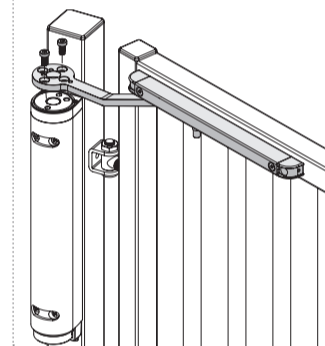
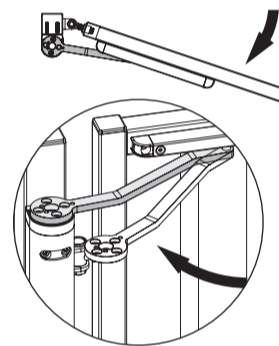
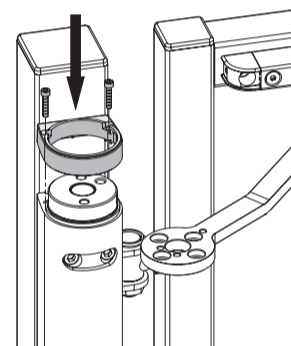
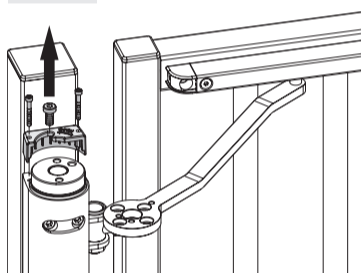
HEX  
3mm  
5mm

A: Remove tension block

B: Place cap

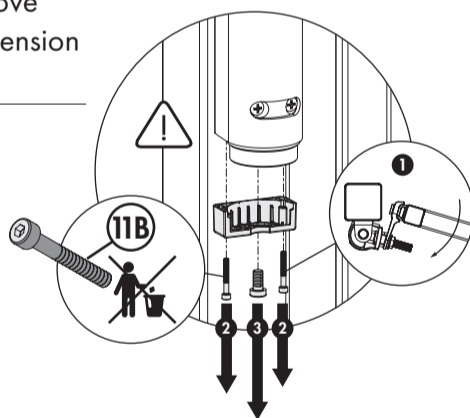
C: Position

D: Fix



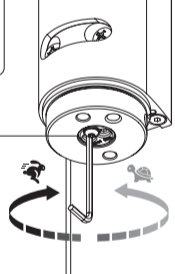
8 Remove pre-tension fixer

HEX  
3mm  
5mm



9 Adjust speed

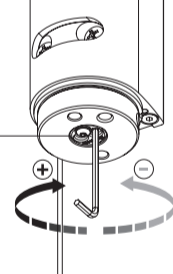
SPEED



HEX  
3mm

10 Adjust final snap

FINAL SNAP



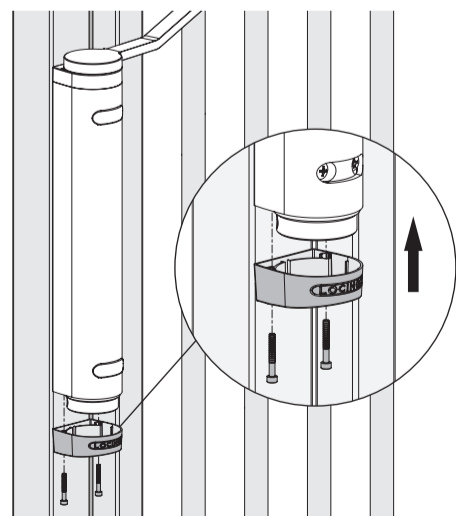
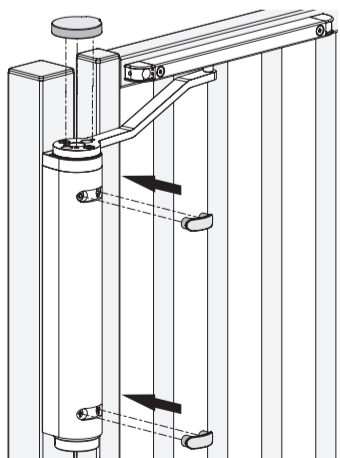
HEX  
3mm

11 Finish installation

A: Add top caps and covers

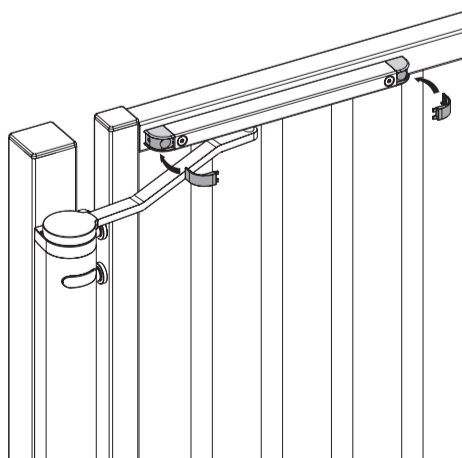
B: Fix bottom cap

HEX  
3mm



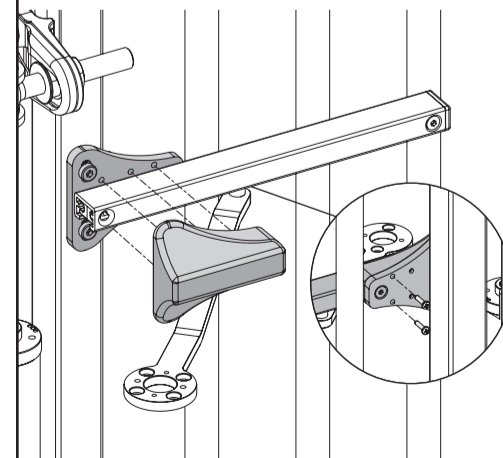
90°

12 Add rail cap covers



180°

12 Add rail cap covers



LOCINOX®  
WWW.LOCINOX.COM

Doc. Nr.: MANU-000376

Locinox nv • Mannebeekstraat 21 • B-8790 Waregem • Belgium  
Tel. +32 (0)56 77 27 66 • Fax. +32 (0)56 77 69 26 • E-mail: info@locinox.com

