



SUREClose®

READYFit

NEW

Gate Stop

Custom finish rated to 1,000 hrs salt spray - no need to grind off before welding

Horizontally adjustable bumper for gate gaps of 1/2" to 1 3/8" (12-35mm)

Weld or fasten - 12g Tek screws included

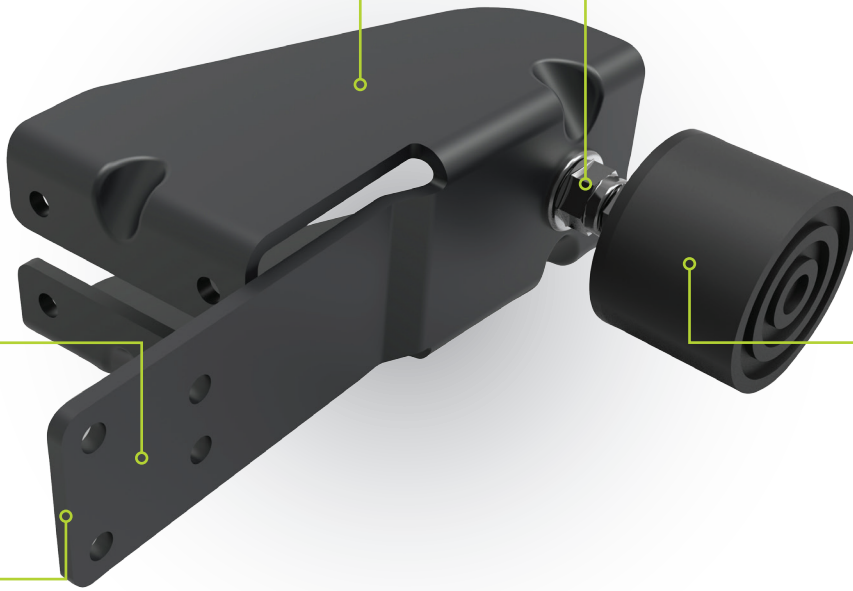
Reversible (right or left handed)

Quick-fit alignment leg - for ease of installation, alignment and double face-fixing strength

Rubber bumper prevents bounce-back

9 gauge (.157" - 4mm) steel stands up to heavy abuse

Stops gate at 85 degrees when adjusted

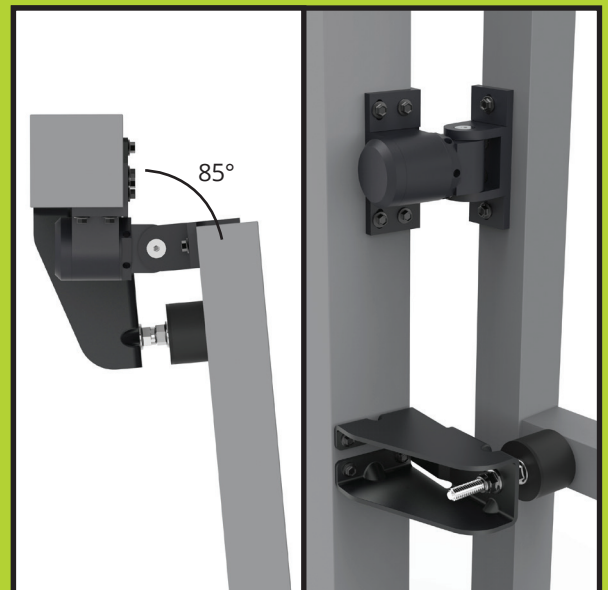


LIMITED 2 YEAR WARRANTY



SureClose® ReadyFit Gate Stop

- Gate stops at 85 degrees when adjusted - prevents damage to hinges if gate slammed open
- Reduces wear on gate and less need to adjust hinges
- Semi-soft rubber bumper minimizes gate bounce-back
- Weld or fasten - 12g Tek screws included
- Custom finish rated to 1,000 hours salt-spray and 500 hours UV - no need to grind off before welding
- Stainless steel components*
- Horizontally adjustable for gate gaps of 1/2" to 1 3/8" (12-35mm)



*Stainless steel threaded rod and flange nuts.



Quick-fit alignment legs:

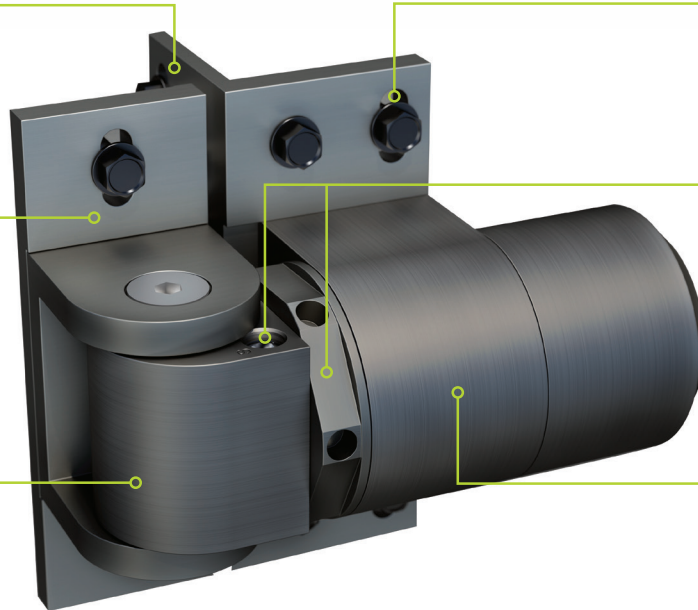
For ease of installation, alignment and double face-fixing strength.

Multiple mounting options:

- Mounting brackets included
- Aluminum screw-on
- Steel weld-on
- Fasteners included

Dual Bearing Glide System™

Two rows of bearings for consistently superior performance.



Sold as a single hinge

Vertical alignment slots

Multiple adjustment options :

- Self-closing speed and force
- Final snap-close action
- Horizontal adjustment
- ADA compliant

Powerful, hidden hydraulics... that don't leak!

Hydraulics are concealed within the hinge providing a controlled, quiet close in a tamper-resistant, compact design. No need to ever add fluid.

* Each READYFIT hinge and closer will close past the latch post to -2°. This is to aid in the successful latching of the lock mechanism (much like our TruClose® hinges). Therefore, the READYFITs will only open a distance of 88° for an SF model and 178° for a non-SF model.

The 7403 RF Gate Stop is designed specifically to work only with the below ReadyFit models. RF Gate Stop is mandatory for SF models. This gate stop will not work with other SureClose® hinge models.



CODE	MODEL	TYPE	BRACKET	GAP VARIANCE	SELF-CLOSING FROM	MAXIMUM GATE OPENING	FINAL SNAP-CLOSE ACTION	POOL/CHILD SAFETY**	FENCE POST SIZE MINIMUM
7403	RF Gate Stop	Gate Stop for ReadyFit	Steel-Weld or Screw-on	½" - 1⅜" (12-35mm)	-	-	-	-	3" (76mm)
74001313	RF SM S	Hinge	Aluminum Screw-on	½" - 1⅜" (12-35mm)	-	178°	-	-	2" (50mm)
74001315	RF SM W	Hinge	Steel Weld-on	½" - 1⅜" (12-35mm)	-	178°	-	-	2" (50mm)
74108313	RF 108 S	Hinge/Closer	Aluminum Screw-on	½" - 1⅜" (12-35mm)	83°	178°	Yes	-	2" (50mm)
74108315	RF 108 W	Hinge/Closer	Steel Weld-on	½" - 1⅜" (12-35mm)	83°	178°	Yes	-	2" (50mm)
74108323	RF 108SF S	Hinge/Closer & Safety Feature	Aluminum Screw-on	½" - 1⅜" (12-35mm)	88°	88°	Yes	Yes**	2" (50mm)
74108325	RF 108SF W	Hinge/Closer & Safety Feature	Steel Weld-on	½" - 1⅜" (12-35mm)	88°	88°	Yes	Yes**	2" (50mm)

**Yes (SF) = Hinges have no hold-open feature (OK for safety gates). Do NOT use a hinge with a hold-open feature **(-) for pool/child safety gates. CAUTION: A gate stop must be installed when using SF models. Gate must not be allowed to open past 88°. Doing so voids warranty.

■ Mandatory for SF models

