

## FITTING INSTRUCTIONS



LOKK Bolt®

Lokk Bolt is supplied and configured to suit a right-hand gate when viewed from inside (house side). Important: In order to re-configure Lokk Bolt for left-hand gates, please read the instructions overleaf entitled 'Re-configuring the Lokk-Bolt for Left-Hand Gates'.

**Tools required:** Electric drill,  $\frac{5}{8}$ " -  $\frac{3}{4}$ " (16-19mm) drill-bit (to suit masonry),  $\frac{5}{32}$ " (4mm) drill-bit (for pilot holes in thick steel), Phillips No. 2 screwdriver (hand & powered types), level, pencil.

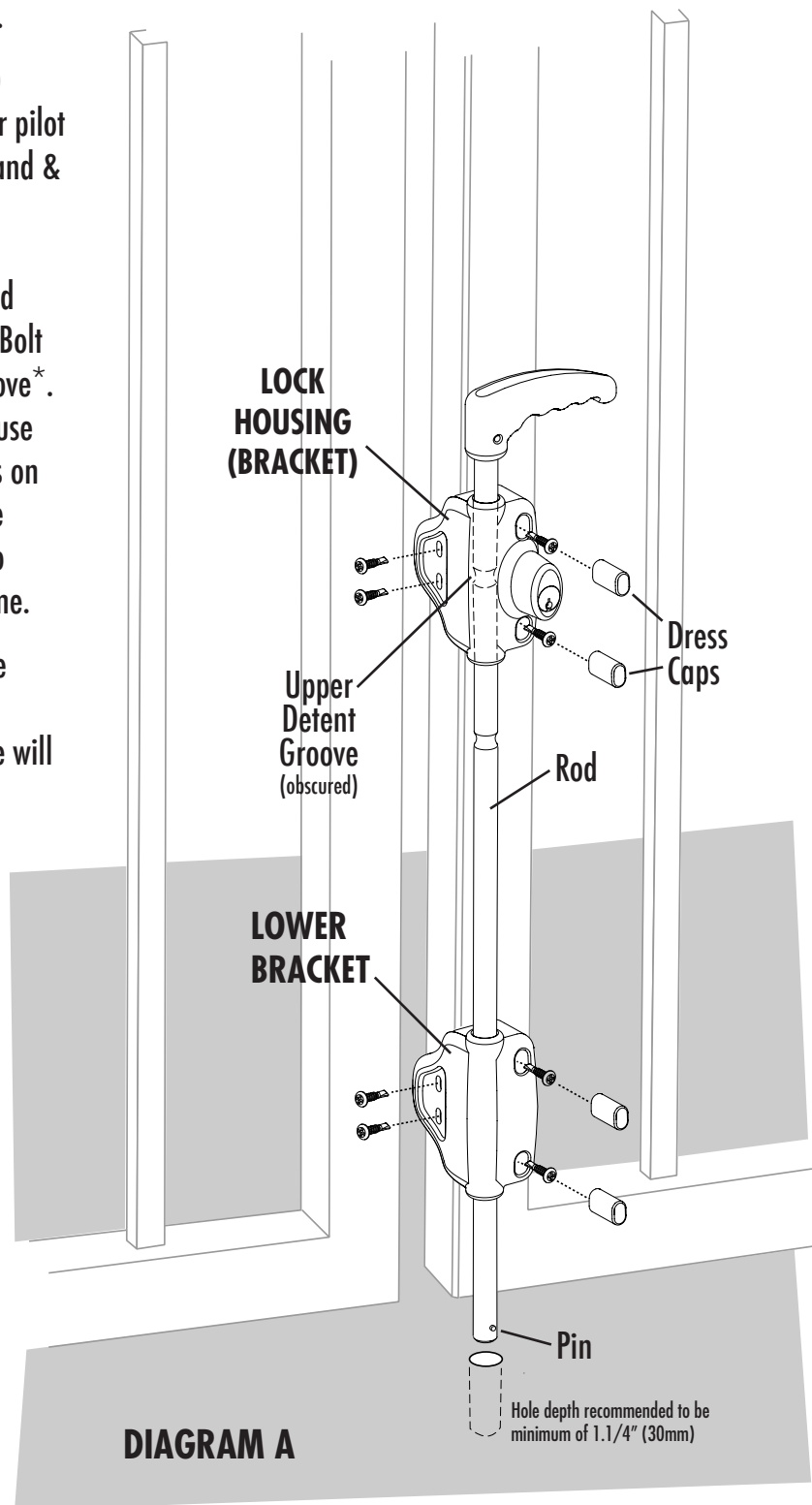
1. Ensure all gates are level to the finished ground surface. The Lock Housing (see right) on the Lokk Bolt should be key-locked into the upper "detent" groove\*. Locate the Lokk Bolt on the inside of the gate (house side), positioning it so the bottom of the bolt rests on the ground surface (concrete, tiles, stone etc). The Lokk Bolt must be held or clamped so that the two mounting brackets sit firmly against the gate frame.

2. Mark a circle on the ground surface around the bottom of the stainless steel rod. Drill this hole  $\frac{5}{8}$ " -  $\frac{3}{4}$ " (16-19mm) to a suitable depth. (The hole will need to be larger if a pipe is to be inserted.)

3. Locate the Lokk Bolt back onto the gate, with the rod inserted into the hole to the required depth. The position of the Lower Bracket is important; it should be as low as possible, but no further from the Lock Housing than the maximum measurements shown in Diagram B overleaf. Use a pencil to mark inside the slots of both brackets for the mounting screws, using the brackets as the templates. Remove the Lokk Bolt.

4. The Lokk Bolt is supplied with self-drilling screws; use these for fixing the product to the gate. If fixing to thick-sectioned steel gates, drill  $\frac{5}{32}$ " (4mm) pilot holes through the center of the marked slots. For wooden gates, consult your local hardware expert to obtain appropriate wood screws.

5. Insert the four Dress Caps supplied into the screw slots. The Lokk Bolt is now ready for use.



\*The Lokk Bolt has **two detent grooves**, both of which are for either retaining or locking the rod in place. The lower groove holds the Lokk Bolt off the ground and the upper groove locks the rod into place for security.



Re-configuring the Lokk Bolt for Left-Hand Gates

- 1) Drive the Pin out of the lower end of the stainless steel rod.
  - 2) Remove the Lower Bracket from the rod. Unlock the Lokk-Bolt to release the Lock Housing, if necessary. Important: Hold the Lokk-Bolt HORIZONTALLY as shown below in Diagram C, being careful to retain the Lock Housing in the position shown.
  - 3) Remove the rod slowly and carefully from the Lock Housing.
- Very important:** Steadily keep the Lock Housing in the horizontal position shown! Reverse the rod and insert in to the other end of the Lock Housing. Push the rod in until the upper detent groove clicks into position.
- 4) Test the working of the lock and then reassemble with the Lower Bracket and the Pin (ensure at least 1/16", or nearly 2mm, of the Pin is left protruding to prevent the Brackets sliding off the bolt).

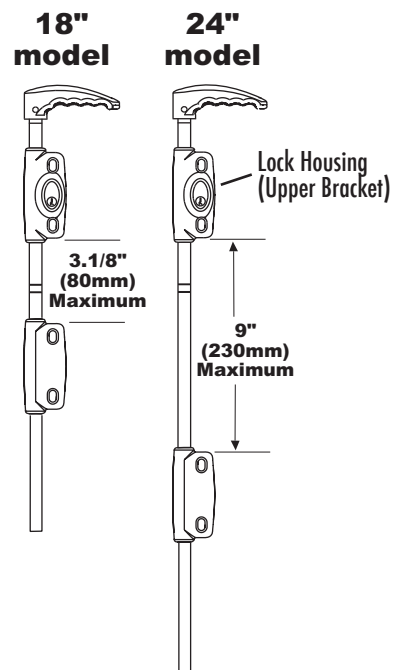


DIAGRAM B

**Problems?** If the re-configured Lokk-Bolt does not fit into the housing, or work as expected, it may be the detent spring inside the Lock Housing has dislodged. See Diagram D. To rectify this, the rod should be removed from the Lock Housing and the rear cover of the housing removed by unscrewing the three retaining screws.

Any loose parts should be re-assembled; generally this will be only the Spring and Lever, as shown in Diagram D. When the parts are re-assembled, the rod can be pushed back into the Lock Housing.

Replace the rear cover.

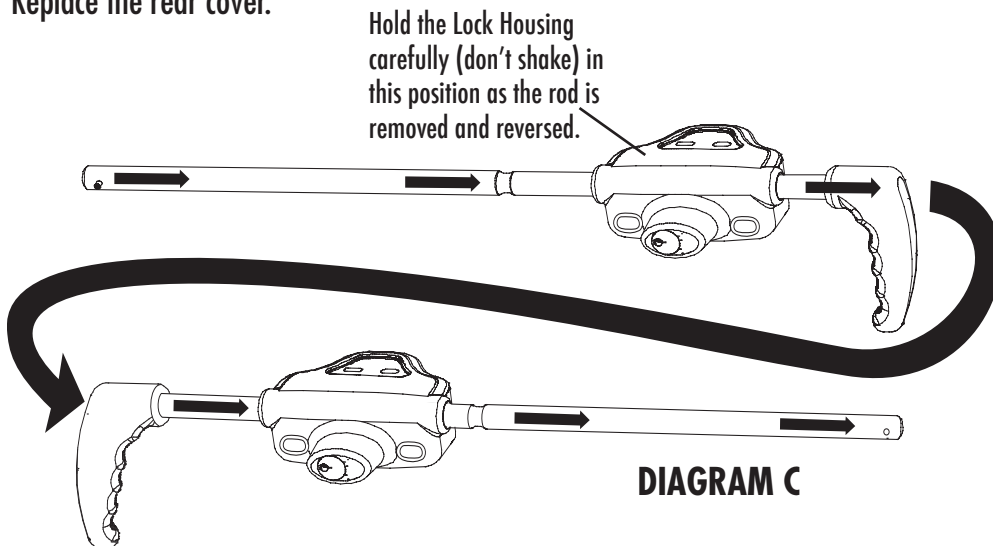


DIAGRAM C

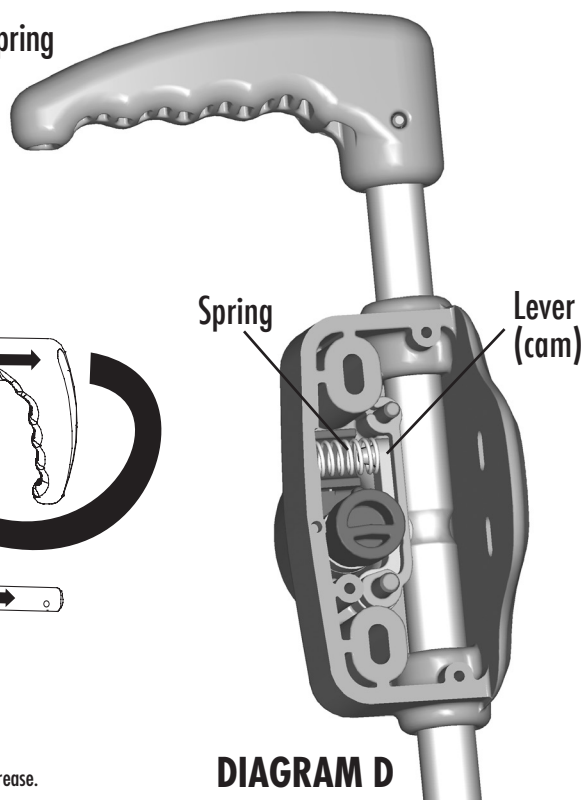


DIAGRAM D

**MAINTENANCE:** Keep Lokk-Bolt rod clean. Lubricate the Lokk-Bolt using only graphite powder. DO NOT use oil or grease.

For a downloadable Adobe Acrobat (.PDF) version of our Limited LIFETIME WARRANTY, go to our website at [www.ddtechglobal.com](http://www.ddtechglobal.com)



D&D Technologies  
Hi-Performance Hardware

AUSTRALIA: Unit 6, 4-6 Aquatic Dr, Frenchs Forest NSW 2086  
USA: 7731 Woodwind Drive, Huntington Beach, CA 92647

[www.ddtechglobal.com](http://www.ddtechglobal.com)