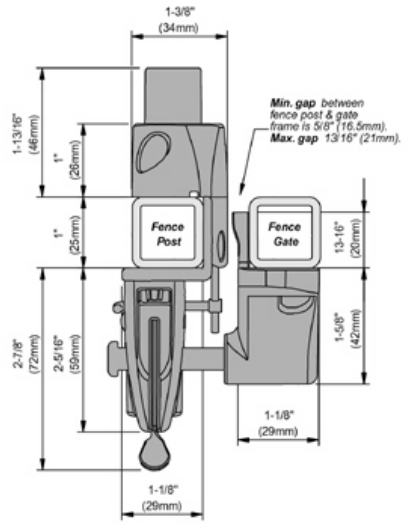
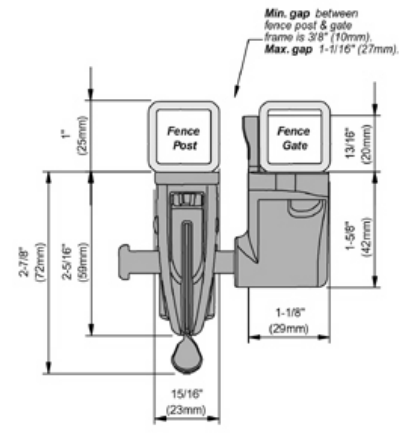


Model: LLAAB
MAX Fence Post size 6"x6"

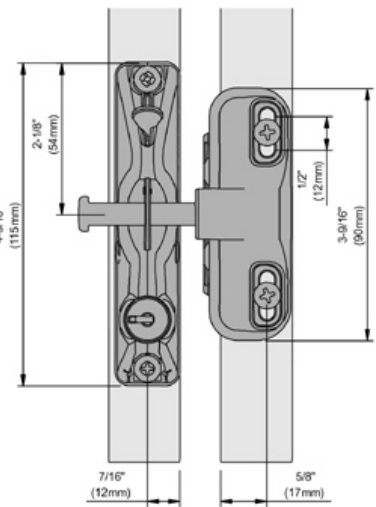
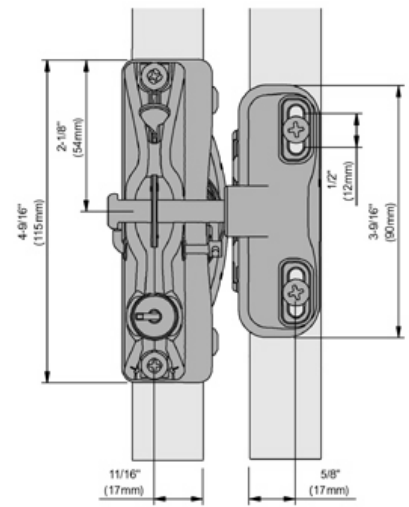


Min. gap between fence post & gate frame is 5/8" (16.5mm).
Max. gap 13/16" (21mm).

Model: LLAA



Min. gap between fence post & gate frame is 3/8" (10mm).
Max. gap 1-1/16" (2.7mm).



NOTE: Both models shown on MIN Post sizes (1"x1")