

 **D&D Technologies**  
Hi-Performance Hardware

*Changing gate hardware. **Forever.***



What's your style? We have you covered.



Black trim cover (standard)



Chrome trim cover (optional)



Brushed trim cover (optional)

## TruClose® "Series 3" Hinges

Top-selling TruClose Gate Hinges have long been the most reliable self-closing gate hinges on the market. The new "Series 3" range offers a unique, custom approach to gate hardware by introducing trim covers to match your locks and lighting fixtures, while concealing all fasteners.

### Features:

- D&D patented tension adjustment
- Adjust tension from either end!
- Increased self-closing weight
- Increased point load
- No visible fasteners
- Optional decorative trim covers
- Super-strong engineering polymers and stainless steel components

### Benefits:

- Easy-to-adjust closing speed
- Tension adjustment is always facing up
- Stylish, contemporary appearance
- Consistent, reliable operation
- Coordinates with LokkLatch® MAGNETIC
- Won't rust, bind, sag or stain



Limited Lifetime Warranty  
on all D&D-manufactured products

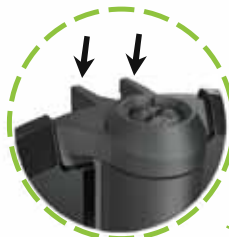
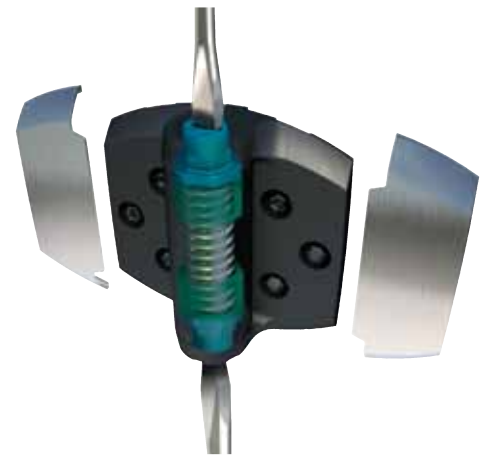
## D® TRUClose® Series 3

The industry's best performing hinges just got better!

**40% stronger!**  
**Over two times the cycles!**



Black trim cover shown

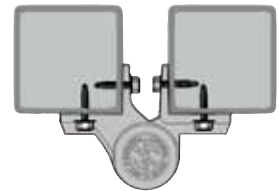


### OPTIONAL 2 LEGS (L2)

### MODEL DESIGN OPTIONS

#### ALIGNMENT LEGS ("L2" models)

Quick-fit alignment legs for fast installation and added fixing strength. Two legs provide secure, double-face fixing.



#### REINFORCING RIBS

Molded ribs provide superior strength

#### STYLISH FINISH

Decorative trim covers provide a modern, stylish look

#### CONCEALED FASTENERS

Trim covers hide the fasteners to improve the beauty of the gate



#### PATENTED ADJUSTOR

Easy tension adjustment

#### INTERNAL STAINLESS STEEL SPRING

Won't rust or corrode

#### OPTIONAL TRIM COVERS

Metallic-finish trim options include Chrome or Brushed

#### MOLDED HINGE BODY

Engineering polymers with glass-fiber reinforcement are UV stabilized

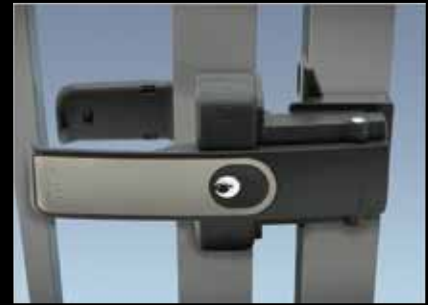
# Fits any metal, wood & vinyl square post gate



Black trim cover (standard)



Chrome trim cover (optional)



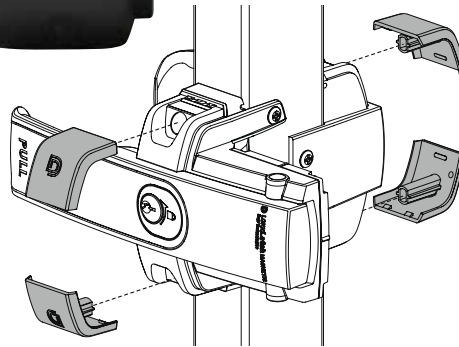
Brushed trim cover (optional)

## D<sup>®</sup> LOKKLatch<sup>®</sup> MAGNETIC

It's a lock! It's a latch! It's all you need.



Black trim cover shown



### OPTIONAL TRIM COVERS

Metallic-finish trim options include Chrome or Brushed

### CONCEALED FASTENERS

Fasteners are hidden to improve the beauty of the gate

### VERTICAL & HORIZONTAL ADJUSTMENT

Overcomes ground movement and gate sag

### ERGONOMIC

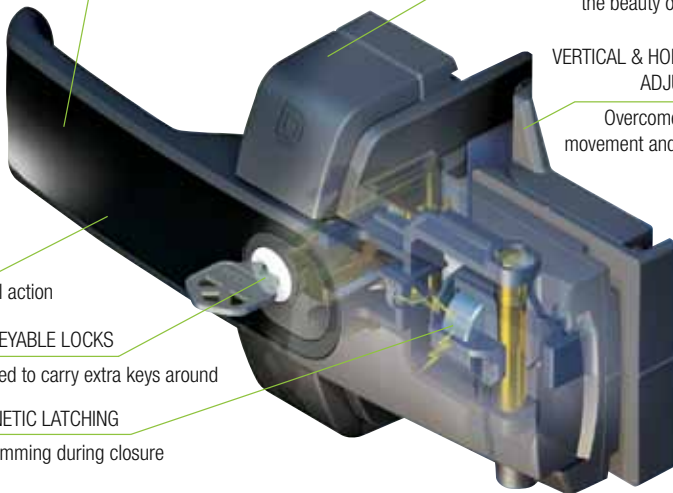
Intuitive Push/Pull action

### DUAL, 6-PIN REKEYABLE LOCKS

Eliminates the need to carry extra keys around

### PATENTED MAGNETIC LATCHING

No mechanical jamming during closure



\*Patent Pending

## LokkLatch<sup>®</sup> MAGNETIC

is the world's first gate lock to offer coordinating trim covers that can match your gate hinges, lighting and other yard accessories to create a cohesive look. Engineered with the most durable materials and finishes that withstand the harsh effects of both time and weather, paired with the quality components only D&D is known for, makes LokkLatch Magnetic the ideal latching solution.

### Features:

- D&D patented magnetic latching
- Intuitive PUSH/PULL action
- Dual, 6-pin re-keyable locks
- Vertical & horizontal adjustment
- No visible fasteners
- Optional decorative trim covers
- Fits any square-post gate and fence material from 1-1/2" (38mm) to 6" (150mm)
- Super-strong engineering polymers and stainless steel components

### Benefits:

- Locks and unlocks from both sides of the gate
- Fits metal, wood and vinyl gates
- Peace-of-mind security
- Ergonomic, one-handed operation
- Consistent, reliable operation
- Will not rust or corrode
- ADA Compliant
- Coordinates with TruClose<sup>®</sup> hinges



Limited Lifetime Warranty  
on all D&D-manufactured products

Chrome

Brushed

Black

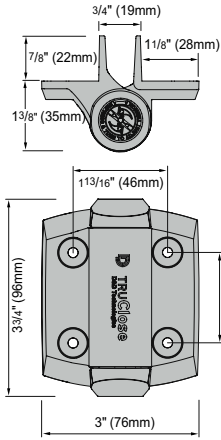
Diagrams show models with two side-fixing legs. Some models have one or no legs.

Visit [www.ddtechglobal.com](http://www.ddtechglobal.com) for install instructions on all D&D's products.

## TruClose® "Series 3" Hinges – REGULAR RANGE

### TCA1S3BT and TCA1L2S3BT

Replaced TCA1-MK2 and TCA1L2-MK2



TCA1S3BT\*

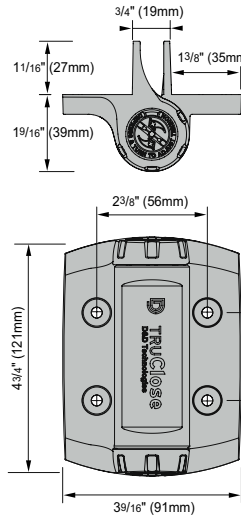


TCA1L2S3BT\*

## TruClose® "Series 3" Hinges – HEAVY DUTY RANGE

### TCHD1AS3BT, TCHD1AL1S3BT, TCHD1AL2S3BT

Replaced TCHD1A-MK2, TCHD1AL1-MK2 and TCHD1AL2-MK2



TCHD1AS3BT\*

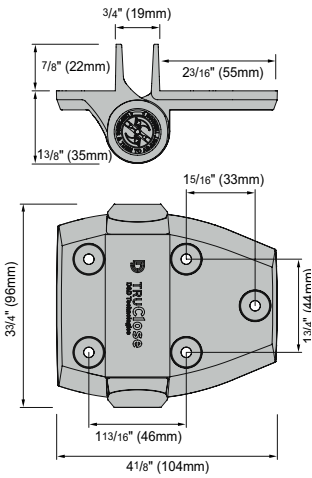
TCHD1AL1S3BT



TCHD1AL2S3BT\*

### TCA2S3BT and TCA2L2S3BT

Replaced TCA2-MK2 and TCA2L2-MK2



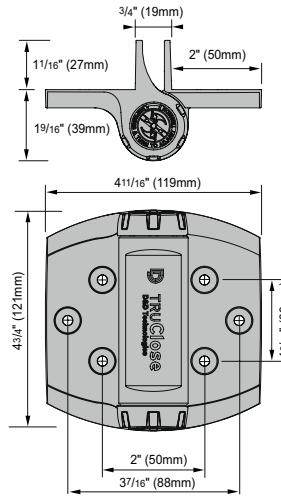
TCA2S3BT



TCA2L2S3BT

### TCHD1S3BT and TCHD1L2S3BT

Replaced TCHD1-MK2 and TCHD1L2-MK2



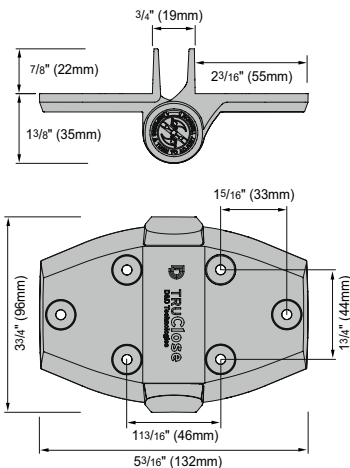
TCHD1S3BT



TCHD1L2S3BT

### TCA3S3BT and TCA3L2S3BT

Replaced TCA3-MK2 and TCA3L2-MK2



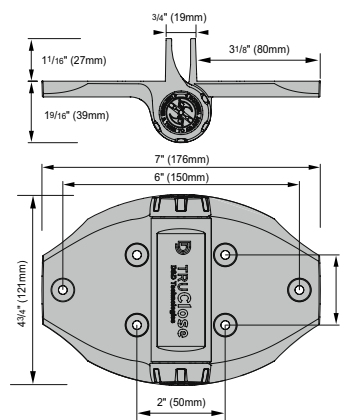
TCA3S3BT



TCA3L2S3BT\*

### TCHD2L1S3BT and TCHD2L2S3BT

Replaced TCHD2L1S-MK2 and TCHD2L2-MK2



TCHD2L1S3BT\*



TCHD2L2S3BT\*

No fasteners included. Consult your hardware expert for the proper gauge fasteners.

\* Models available in white.

## Regular Hinge Range

Maximum Self-Closing weight 66 lb (30kg)								
Previous Sku	Sku	Trim Finish	Gate Material	Side Legs	Ideal Gap	Gap Variance	Max. Point Load	Sold As
TCA1-MK2	TCA1S3BT	Black	Metal	—	3/4" (19mm)	1/4"-7/8" (6-22mm)	660 lb (300kg)	1 Pair
TCA1WT-MK2	TCA1S3WT	White	Metal	—	3/4" (19mm)	1/4"-7/8" (6-22mm)	660 lb (300kg)	1 Pair
TCA1L2-MK2	TCA1L2S3BT	Black	Metal	2 Legs	Fixed at 3/4" (19mm)	-	770 lb (350kg)	1 Pair
TCA1L2WT-MK2	TCA1L2S3WT	White	Metal	2 Legs	Fixed at 3/4" (19mm)	-	770 lb (350kg)	1 Pair
	TCA1L2S3CT	Chrome	Metal	2 Legs	Fixed at 3/4" (19mm)	-	770 lb (350kg)	1 Pair
	TCA1L2S3ST	Brushed	Metal	2 Legs	Fixed at 3/4" (19mm)	-	770 lb (350kg)	1 Pair
TCA2-MK2	TCA2S3BT	Black	Metal/Wood	—	3/4" (19mm)	1/4"-7/8" (6-22mm)	660 lb (300kg)	1 Pair
TCA2L2-MK2	TCA2L2S3BT	Black	Metal/Wood	2 Legs	Fixed at 3/4" (19mm)	-	770 lb (350kg)	1 Pair
TCA3-MK2	TCA3S3BT	Black	Vinyl/Wood	—	3/4" (19mm)	1/4"-7/8" (6-22mm)	660 lb (300kg)	1 Pair
TCA3L2-MK2	TCA3L2S3BT	Black	Vinyl/Wood	2 Legs	Fixed at 3/4" (19mm)	-	770 lb (350kg)	1 Pair
TCA3L2WT-MK2	TCA3L2S3WT	White	Vinyl/Wood	2 Legs	Fixed at 3/4" (19mm)	-	770 lb (350kg)	1 Pair
TCACAP	TCACAPS3	Black	Safety Cap	-	-	-	-	1 Each

### Regular - Bulk Trim Kits (1 pack of 40 completes 10 pairs of hinges)

Series 3 Hinge	Sku	Trim Finish	Sold As
TCA1S3	TCA1S3CTK	Chrome	40 Each/Pack
TCA1S3	TCA1S3STK	Brushed	40 Each/Pack
TCA2S3	TCA2S3CTK	Chrome	40 Each/Pack
TCA2S3	TCA2S3STK	Brushed	40 Each/Pack
TCA3S3	TCA3S3CTK	Chrome	40 Each/Pack
TCA3S3	TCA3S3STK	Brushed	40 Each/Pack



## Heavy Duty Hinge Range

Maximum Self-Closing weight 154 lb (70kg)								
Previous Sku	Sku	Trim Finish	Gate Material	Side Legs	Ideal Gap	Gap Variance	Max. Point Load	Sold As
TCHD1A-MK2	TCHD1AS3BT	Black	Metal	-	3/4" (19mm)	1/4"-1" (6-25mm)	990 lb (450kg)	1 Pair
TCHD1AWT-MK2	TCHD1AS3WT	White	Metal	-	3/4" (19mm)	1/4"-1" (6-25mm)	990 lb (450kg)	1 Pair
TCHD1ALI-MK2	TCHD1ALIS3BT	Black	Metal	1 Leg	3/4" (19mm)	1/4"-1" (6-25mm)	990 lb (450kg)	1 Pair
TCHD1AL2-MK2	TCHD1AL2S3BT	Black	Metal	2 Legs	Fixed at 3/4" (19mm)	-	1,100 lb (500kg)	1 Pair
TCHD1AWTL2-MK2	TCHD1AL2S3WT	White	Metal	2 Legs	Fixed at 3/4" (19mm)	-	1,100 lb (500kg)	1 Pair
	TCHD1AL2S3CT	Chrome	Metal	2 Legs	Fixed at 3/4" (19mm)	-	1,100 lb (500kg)	1 Pair
	TCHD1AL2S3ST	Brushed	Metal	2 Legs	Fixed at 3/4" (19mm)	-	1,100 lb (500kg)	1 Pair
TCHD1-MK2	TCHD1S3BT	Black	Metal/Wood/Vinyl	-	3/4" (19mm)	1/4"-1" (6-25mm)	990 lb (450kg)	1 Pair
TCHD1L2-MK2	TCHD1L2S3BT	Black	Metal/Wood/Vinyl	2 Legs	Fixed at 3/4" (19mm)	-	1,100 lb (500kg)	1 Pair
TCHD2L1S-MK2	TCHD2LISS3BT	Black	Vinyl/Wood	1 Leg	3/4" (19mm)	1/4"-1" (6-25mm)	990 lb (450kg)	1 Pair
TCHD2WTL1S-MK2	TCHD2LISS3WT	White	Vinyl/Wood	1 Leg	3/4" (19mm)	1/4"-1" (6-25mm)	990 lb (450kg)	1 Pair
TCHD2L2-MK2	TCHD2L2S3BT	Black	Vinyl/Wood	2 Legs	Fixed at 3/4" (19mm)	-	1,100 lb (500kg)	1 Pair
TCHD2WTL2-MK2	TCHD2L2S3WT	White	Vinyl/Wood	2 Legs	Fixed at 3/4" (19mm)	-	1,100 lb (500kg)	1 Pair
TCHDCAP	TCHDCAPS3	Black	Safety Cap	-	-	-	-	1 Each

### Heavy Duty - Bulk Trim Kits (1 pack of 40 completes 10 pairs of hinges)

Series 3 Hinge	Sku	Trim Finish	Sold As
TCHD1AS3	TCHD1AS3CTK	Chrome	40 Each/Pack
TCHD1AS3	TCHD1AS3STK	Brushed	40 Each/Pack
TCHD1S3	TCHD1S3CTK	Chrome	40 Each/Pack
TCHD1S3	TCHD1S3STK	Brushed	40 Each/Pack
TCHD2S3	TCHD2S3CTK	Chrome	40 Each/Pack
TCHD2S3	TCHD2S3STK	Brushed	40 Each/Pack

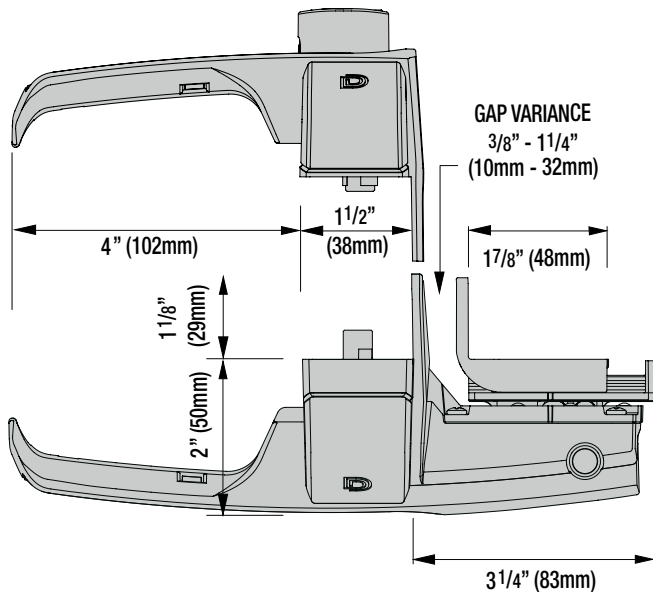


D&D Technologies (USA) Inc.,

7731 Woodwind Drive, Huntington Beach CA 92647

Tel: (800) 716-0888 Fax: (800) 464-6400

E-mail: info@ddtechusa.com

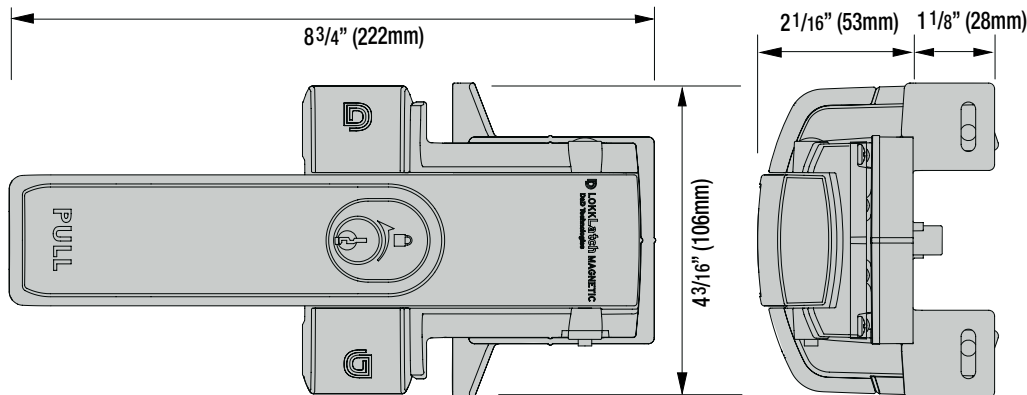


**D** LOKK**Latch**® MAGNETIC

The LokkLatch MAGNETIC gate lock is designed for most square-posted gates and fences. It is ideal for Privacy or Picket-style gates and can also be used on Pedestrian and Double Drive gates\* requiring key-lockable security.

LokkLatch MAGNETIC comes standard with Black trim covers, but also offers Chrome and Brushed trim cover options.

\* Requires drop rod. We suggest either D&D Technologies' Q-Bolt™ or LokkBolt™.



**Fits any metal, wood or vinyl square post gate**

**Fits most square gates and posts from 1 1/2\" to 6\" (38-150mm)**

**D** LOKK**Latch**® MAGNETIC **Range**

Magnetically triggered gate lock with Decorative Trim Covers

SKU	Trim Finish	Gate Material	Keying Style	Ideal Gap	Gap Variance	Sold As
LLMKABT	Black	Metal, Vinyl, Wood	Keyed Alike	3/4" (19mm)	3/8"-1 1/4" (10-32mm)	1 Each
LLMKACT	Chrome	Metal, Vinyl, Wood	Keyed Alike	3/4" (19mm)	3/8"-1 1/4" (10-32mm)	1 Each
LLMKAST	Brushed	Metal, Vinyl, Wood	Keyed Alike	3/4" (19mm)	3/8"-1 1/4" (10-32mm)	1 Each
LLMKDBT	Black	Metal, Vinyl, Wood	Keyed Different	3/4" (19mm)	3/8"-1 1/4" (10-32mm)	1 Each
LLMKDCT	Chrome	Metal, Vinyl, Wood	Keyed Different	3/4" (19mm)	3/8"-1 1/4" (10-32mm)	1 Each
LLMKDST	Brushed	Metal, Vinyl, Wood	Keyed Different	3/4" (19mm)	3/8"-1 1/4" (10-32mm)	1 Each



*D&D is proud to unveil the next generation  
in gate hardware.*

*No Visible Fasteners  
Matching Decorative Trim Covers  
Improved Performance*



*Quality and Performance – built in from start to finish.*

*D&D polymer gate hardware products  
are #1 in the WORLD for a reason – they work!*

*No gimmicks. No empty promises. No hype.*

- Over 23 years of proven reliability
- Quality ISO 9001 certification
- Continuous performance improvement
- Defect rate of less than 1 in 1,000
- Performance claims you can depend on
- D&D's product component traceability
- Limited Lifetime Warranty

# D&D Technologies

Hi-Performance Hardware

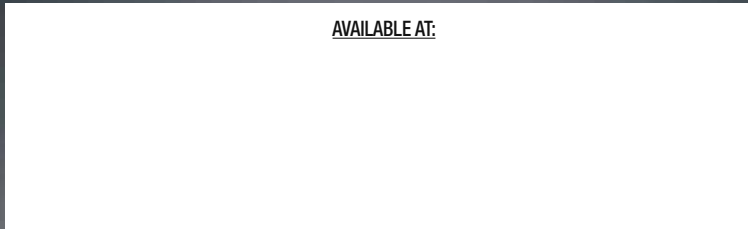
**NORTH AMERICA & SOUTH AMERICA:** D&D Technologies (USA) Inc., 7731 Woodwind Drive, Huntington Beach CA 92647  
Tel: (800) 716-0888 Fax: (800) 464-6400  
E-mail: info@ddtechusa.com

**AUSTRALIA:** D&D Technologies P/L, Unit 6, 4-6 Aquatic Drive, Frenchs Forest NSW 2086  
Tel: 1800 500 203 or (02) 9454 7800 Fax: (02) 9454 7600  
E-mail: sales@ddtech.com.au

**EUROPE:** D&D Technologies B.V., Vondellaan Niasstraat 1  
3531 WR Utrecht The Netherlands  
Tel: +31 (0)30 291 98 47 Fax: +31 (0)30 291 99 98  
E-mail: sales@ddtech.nl



AVAILABLE AT:



[www.ddtechglobal.com](http://www.ddtechglobal.com)

