

**LOCINOX**<sup>®</sup>

Let's make it better together

**FORTIMA**

**Sleek and Sturdy  
Child Safe Magnetic Latch**  
*for pools and parks*



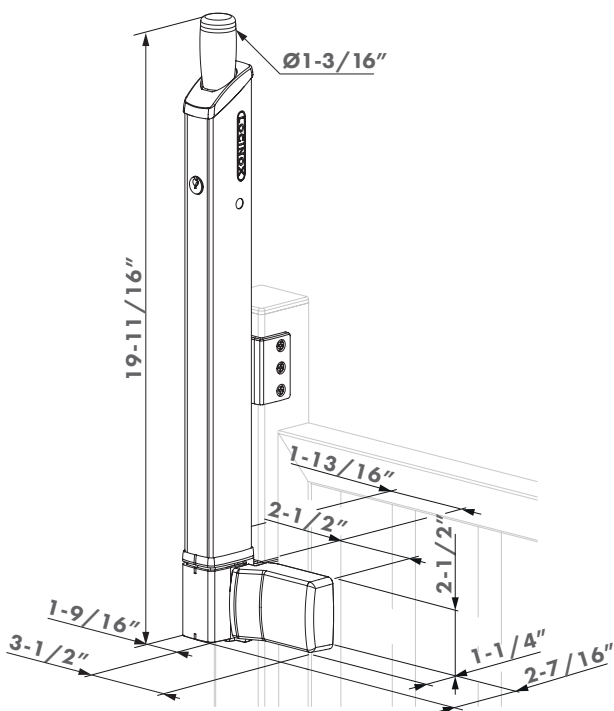


# FORTIMA

SLEEK AND STURDY CHILD SAFE MAGNETIC LATCH FOR POOLS AND PARKS



- ✓ Extreme weather resistance in any climate
- ✓ Unique and extremely durable patented design with anodized aluminum housing
- ✓ Strongest magnetic force on the market: magnetic distance of 1-1/4" (2x industry standard!)
- ✓ Tested up to 2 million cycles - Limited Lifetime Warranty!
- ✓ Rekeyable to match any lock: Schlage-C Key-in-knob cylinder (5pin, drilled 6pin)
- ✓ Sag-proof! 3/4" vertical tolerance after installation
- ✓ Full vertical adjustability and 1" horizontal adjustability - a gap of 3/8" up to 1-3/8"
- ✓ Push down prevention: only opens when magnet is pulled up, adding additional security
- ✓ Perfect for metal, vinyl or wooden gates, available for round (R) and square (K) posts
- ✓ Meets international standards for pool gates (always confirm with the respective authorities)



# TIGER

180° HYDRAULIC GATE CLOSER AND HINGE IN ONE  
Perfectly pairs with the FortiMa latch





POOLS



PARKS



DOG PARKS



PLAYGROUNDS

UNIQUE DESIGN

REKEYABLE

WEATHER RESISTANT

TESTED TO 2 MIL CYCLES

SAG-PROOF

PUSH DOWN PREVENTION

GUARANTEED STRENGTH

**Strongest magnet  
on the market!**

Watch our tests on  
[LOCINOXUSA.COM](http://LOCINOXUSA.COM)

# FORTiMA

Sleek and Sturdy Child Safe Magnetic Latch  
*for pools and parks*



## LOCINOX USA LLC

460 Windy Point Drive  
Glendale Heights  
IL 60139 - USA

☎ 877- LOCINOX    ✉ [salesusa@locinox.com](mailto:salesusa@locinox.com)

For additional product details, drawings, specs or reference pictures, visit [www.locinoxusa.com](http://www.locinoxusa.com)