

4

3

2

1

D

D

C

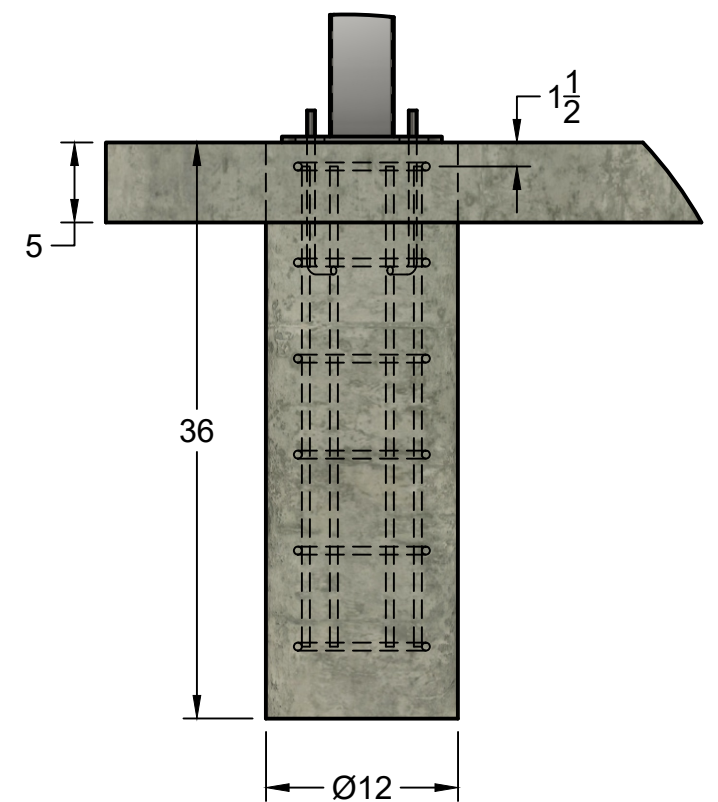
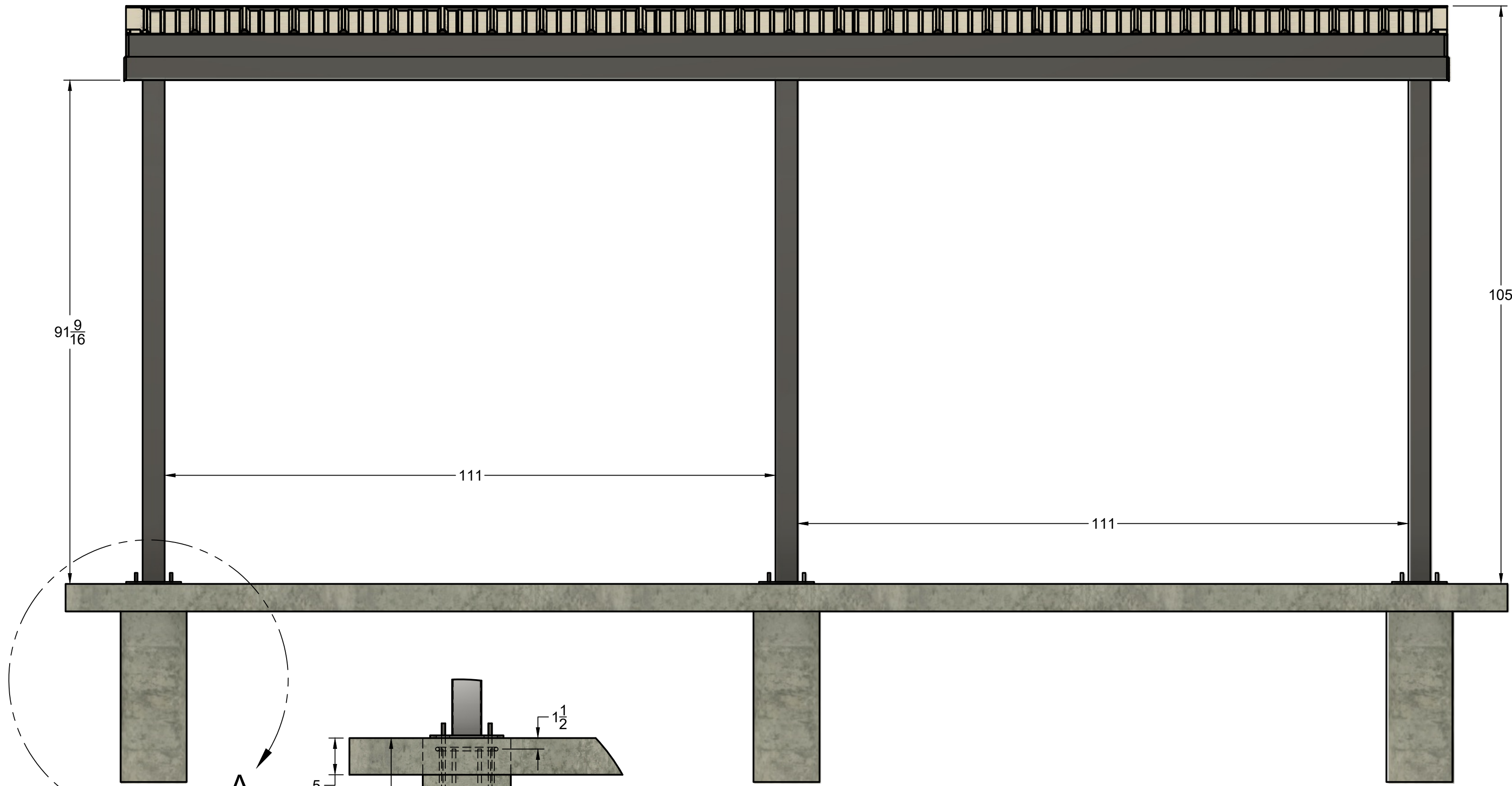
C

B

B

A

A



**DETAIL A**  
SCALE 1" = 1'-0"

\* This document is protected by the Copyright Laws of the United States Copyrights Office.  
 \* This document is not to be distributed without the written permission of Outlaw Industries "LLC".  
 \* This design is subject to change at anytime without notice.  
 \* Field measurement may vary



APPROVED	SIZE	CODE	DWG NO	REV
CHECKED	C			
DRAWN Jesse Moses 1/2/2025	SCALE 1:16	WEIGHT	SHEET 1/4	

PROJECT  
**Canopies**  
 TITLE  
**6 POST 10' X 20' BASIC CANOPY MODEL FRONT VIEW**

4

3

2

1

4

3

2

1

D

D

C

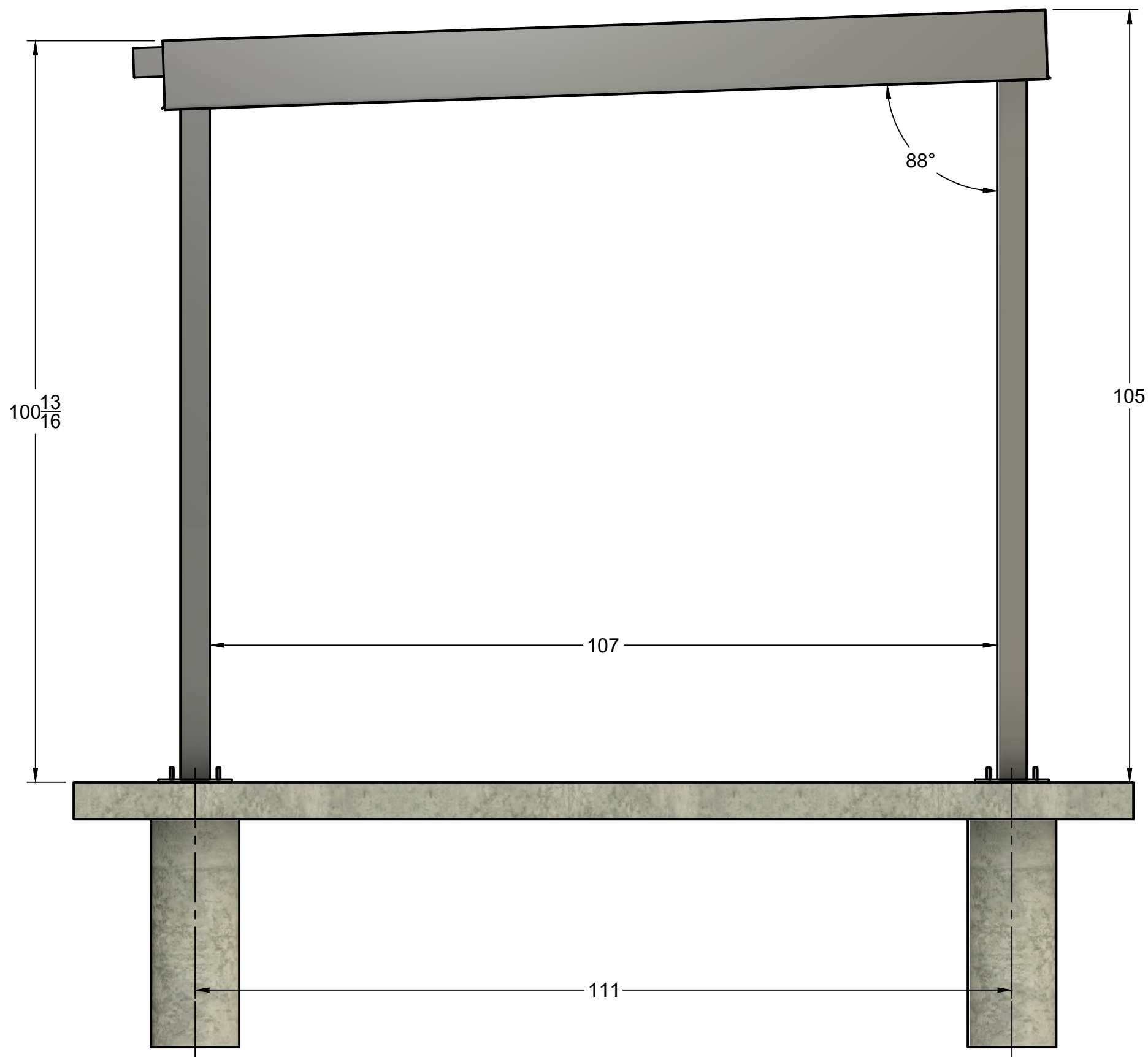
C

B

B

A

A



\* This document is protected by the Copyright Laws of the United States Copyrights Office.  
 \* This document is not to be distributed without the written permission of Outlaw Industries "LLC".  
 \* This design is subject to change at anytime without notice.  
 \* Field measurement may vary



APPROVED	SIZE	CODE	DWG NO	REV
CHECKED	C			
DRAWN Jesse Moses 1/2/2025	SCALE 1:16	WEIGHT	SHEET 2/4	

PROJECT  
**Canopies**  
 TITLE  
**6 POST 10' X 20' BASIC CANOPY MODEL SIDE VIEW**

4

3

2

1

4

3

2

1

D

D

C

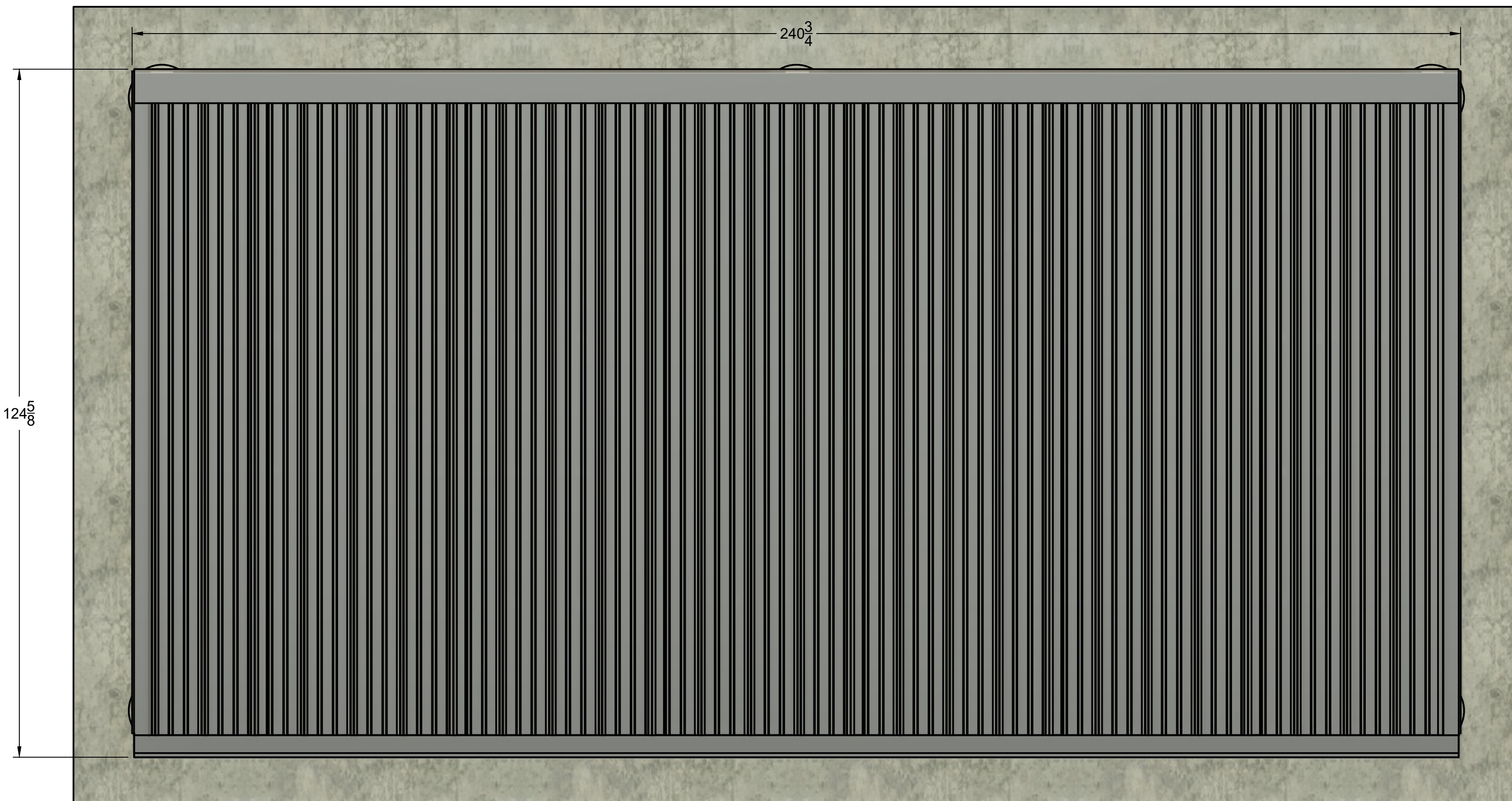
C

B

B

A

A



- \* This document is protected by the Copyright Laws of the United States Copyrights Office.
- \* This document is not to be distributed without the written permission of Outlaw Industries "LLC".
- \* This design is subject to change at anytime without notice.
- \* Field measurement may vary



APPROVED	SIZE	CODE	DWG NO	REV
CHECKED	C			
DRAWN Jesse Moses 1/2/2025	SCALE 1:16	WEIGHT	SHEET 3/4	

PROJECT  
**Canopies**  
 TITLE  
**6 POST 10' X 20' BASIC CANOPY MODEL  
 TOP VIEW**

4

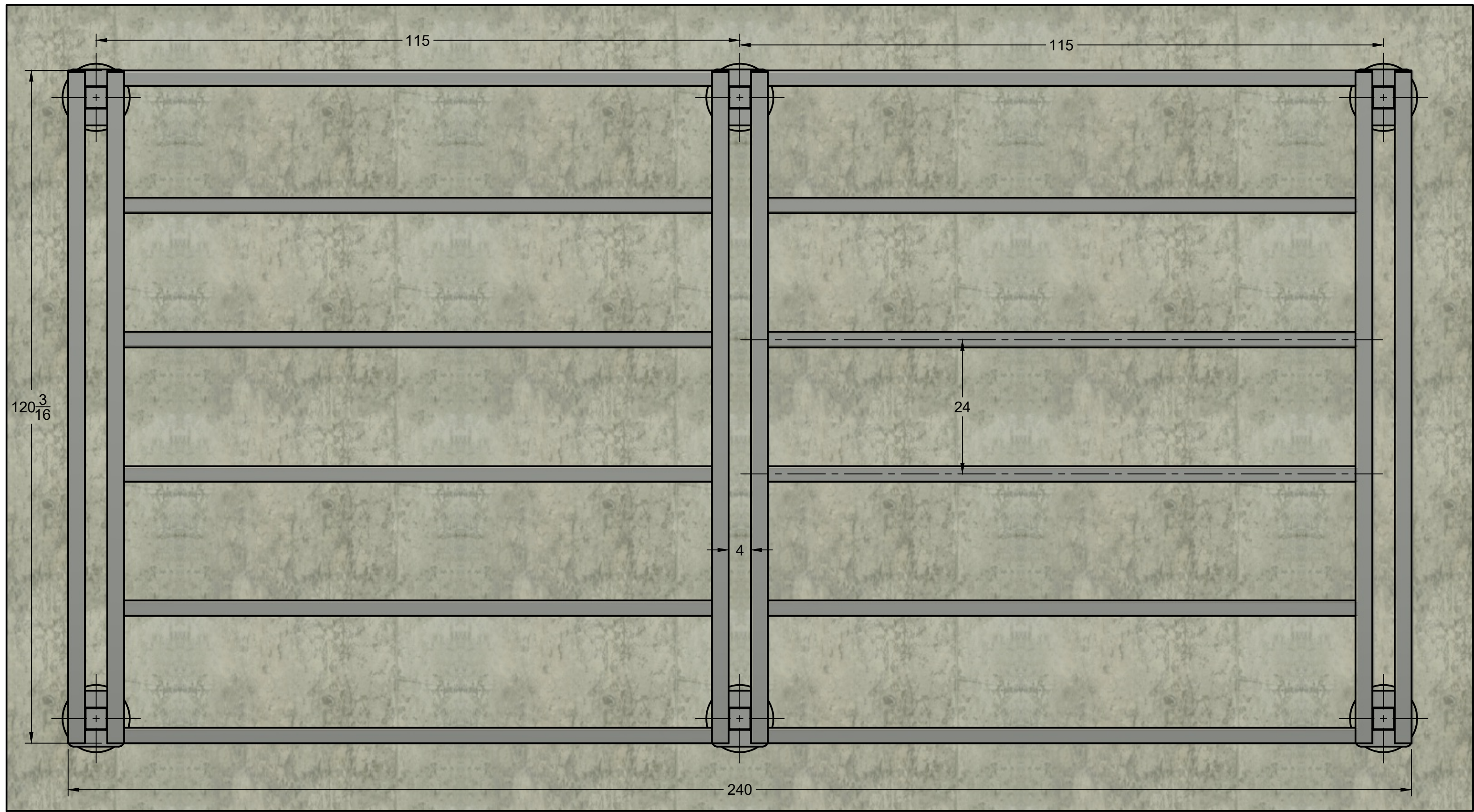
3

2

1

A

A



\* This document is protected by the Copyright Laws of the United States Copyrights Office.  
 \* This document is not to be distributed without the written permission of Outlaw Industries "LLC".  
 \* This design is subject to change at anytime without notice.  
 \* Field measurement may vary



APPROVED	SIZE	CODE	DWG NO	REV
CHECKED	C			
DRAWN Jesse Moses 1/2/2025	SCALE 1:16	WEIGHT	SHEET 4/4	

PROJECT  
**Canopies**  
 TITLE  
**6 POST 10' X 20' BASIC CANOPY MODEL COLUMN/PURLIN DET**

4

3

2

1

D

D

C

C

B

B

A

A

4

3

2

1