

4

3

2

1

D

D

C

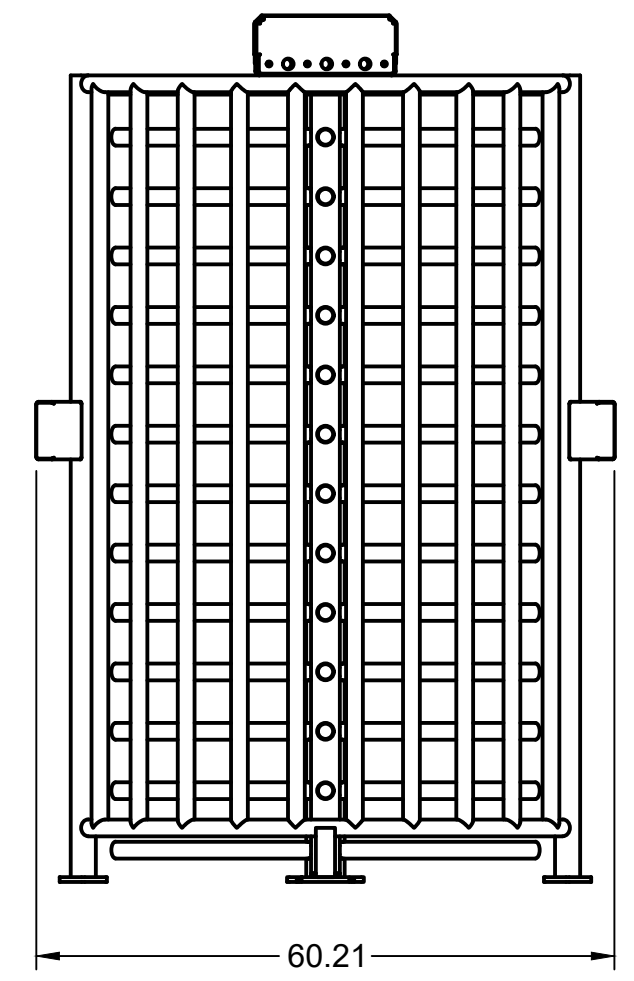
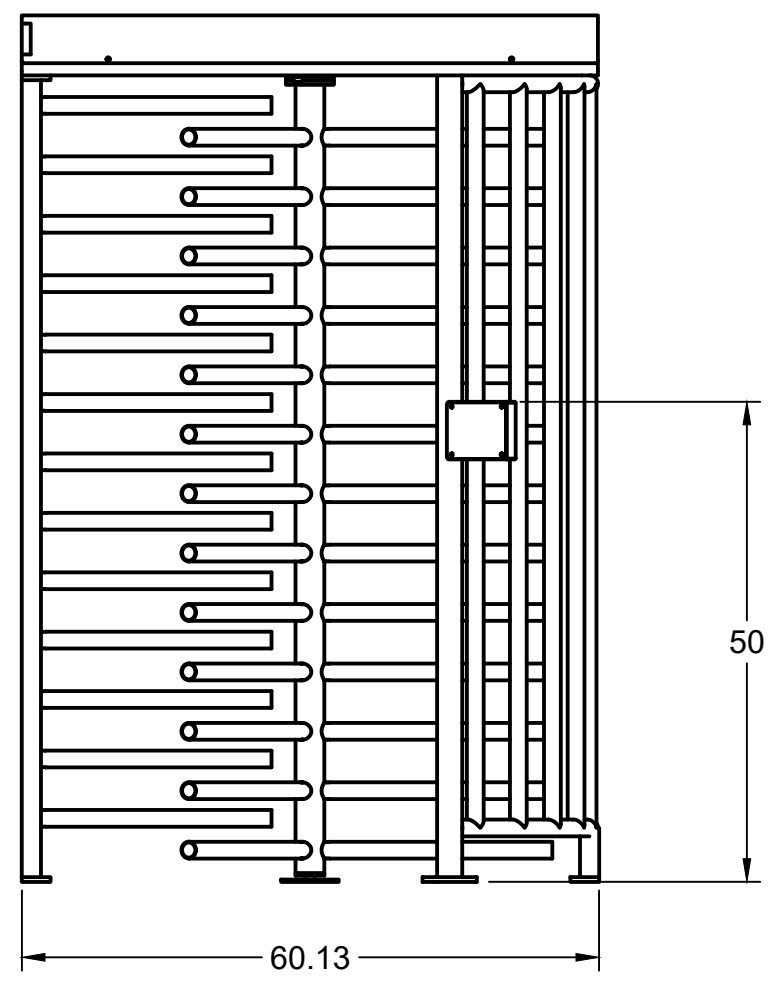
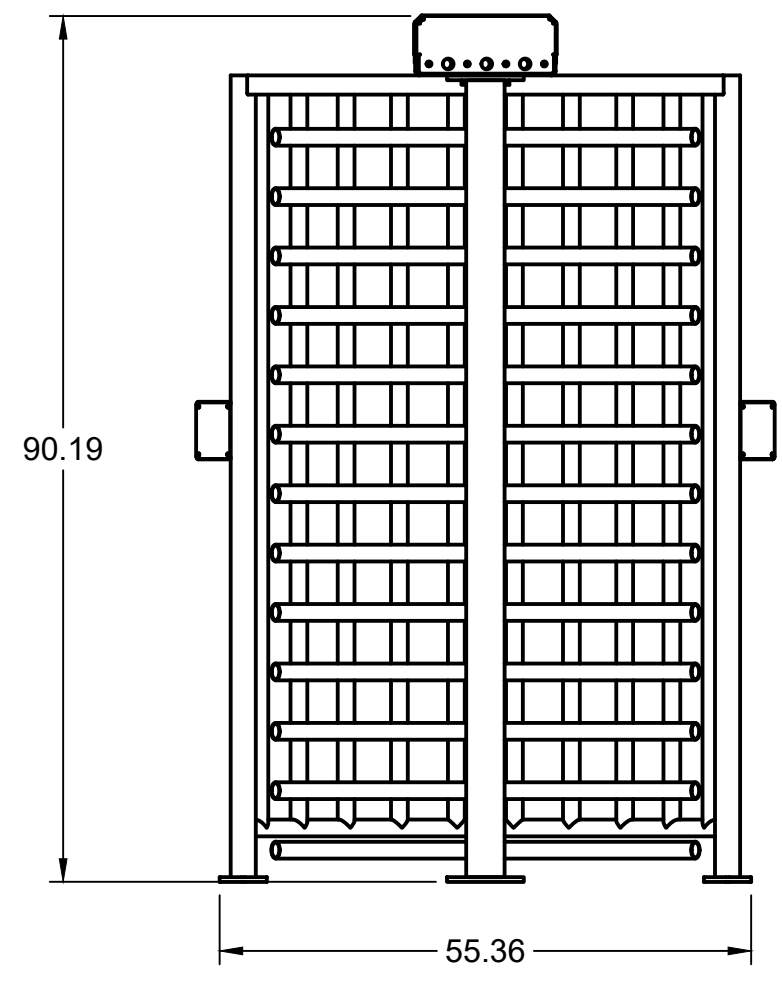
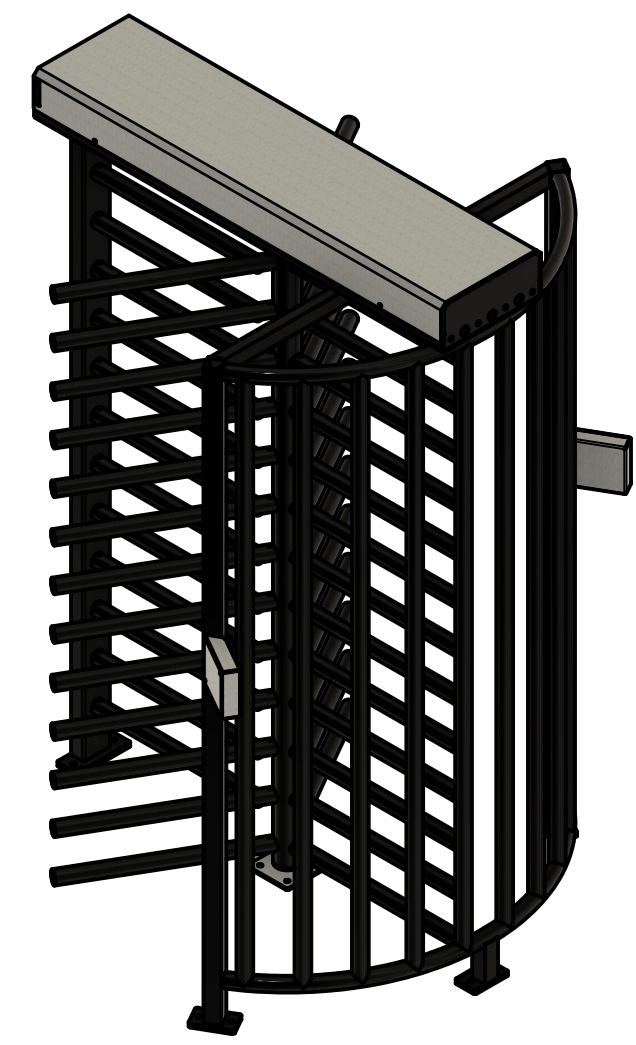
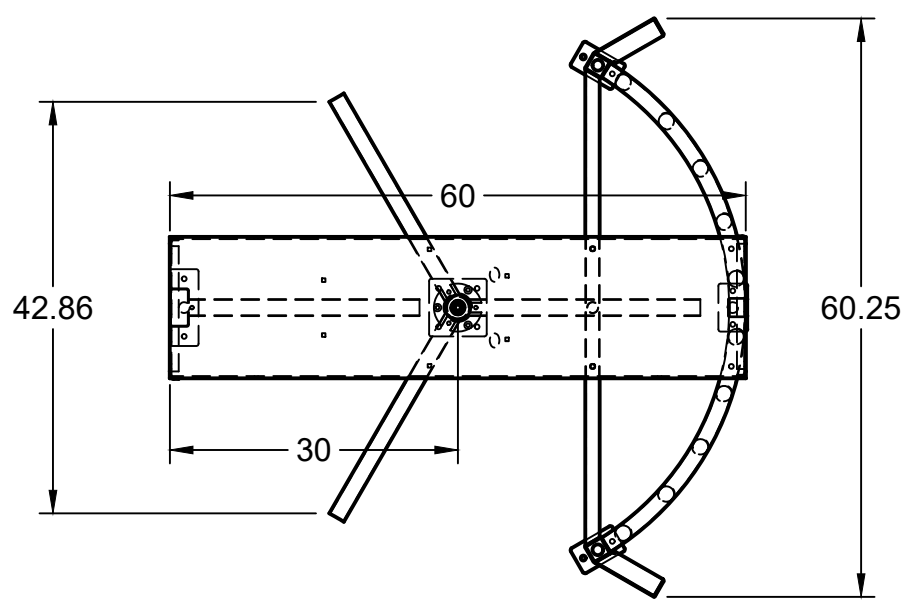
C

B

B

A

A



* This document is protected by the Copyright Laws of the United States Copyrights Office.
 * This document is not to be distributed without the written permission of Outlaw Industries "LLC".
 * This design is subject to change at anytime without notice.
 * Field measurement may vary



PROJECT				
AG-27-T				
TITLE				
AG-27-T 2D ELEVATIONS				
APPROVED	SIZE	CODE	DWG NO	REV
CHECKED	C			
DRAWN Jesse Moses 2/23/2023	SCALE 1:20	WEIGHT	SHEET 1/1	

4

3

2

1