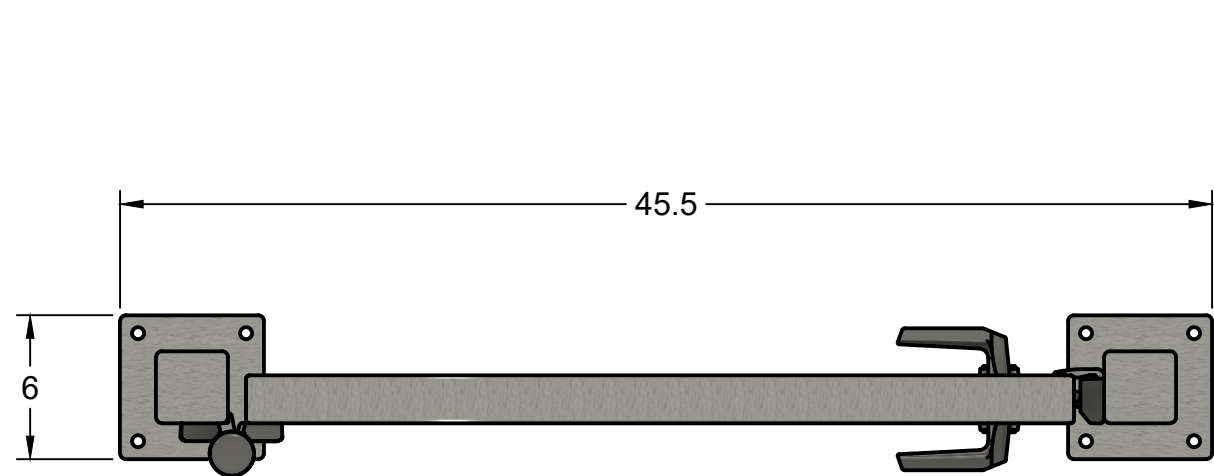


4

3

2

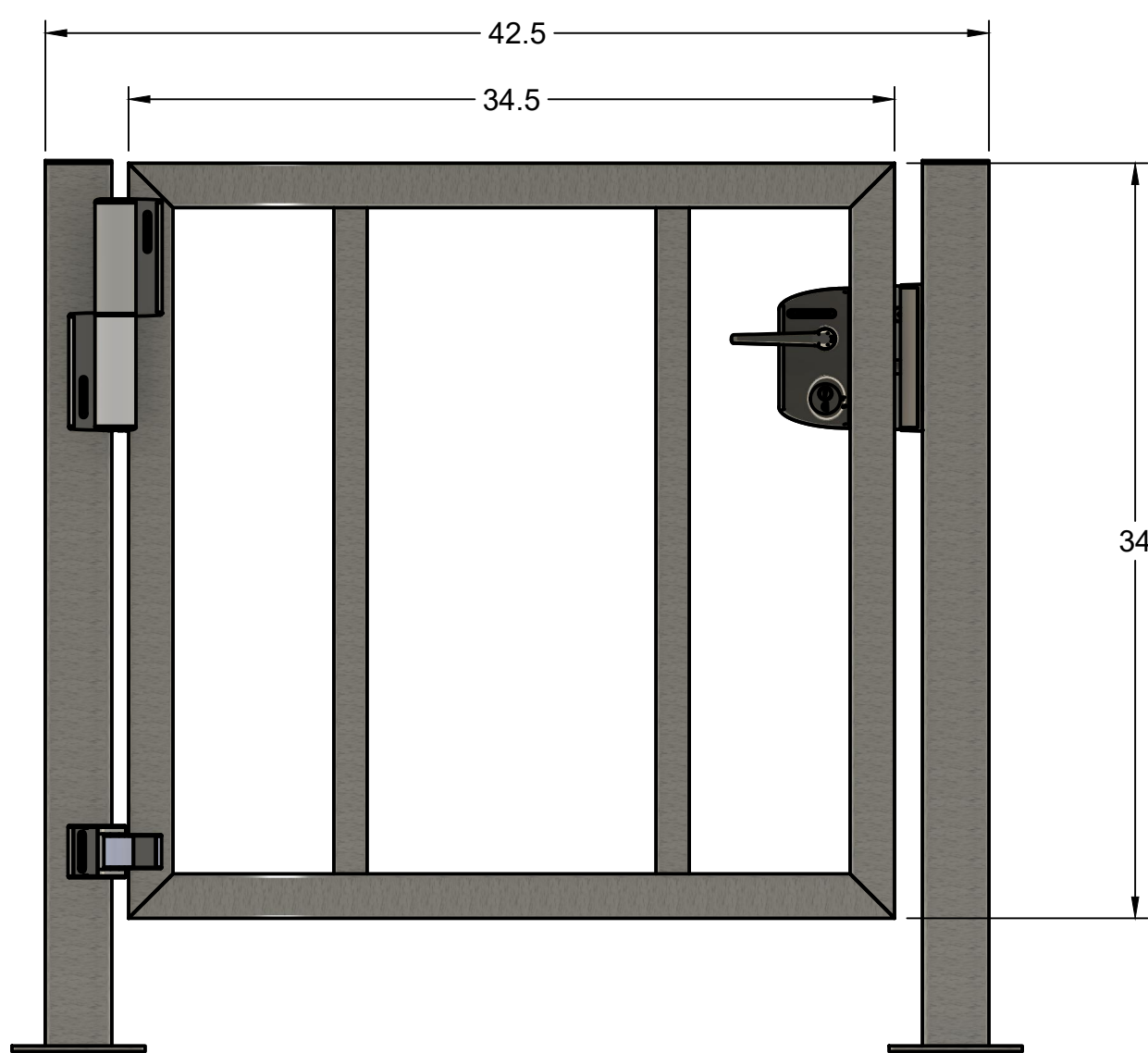
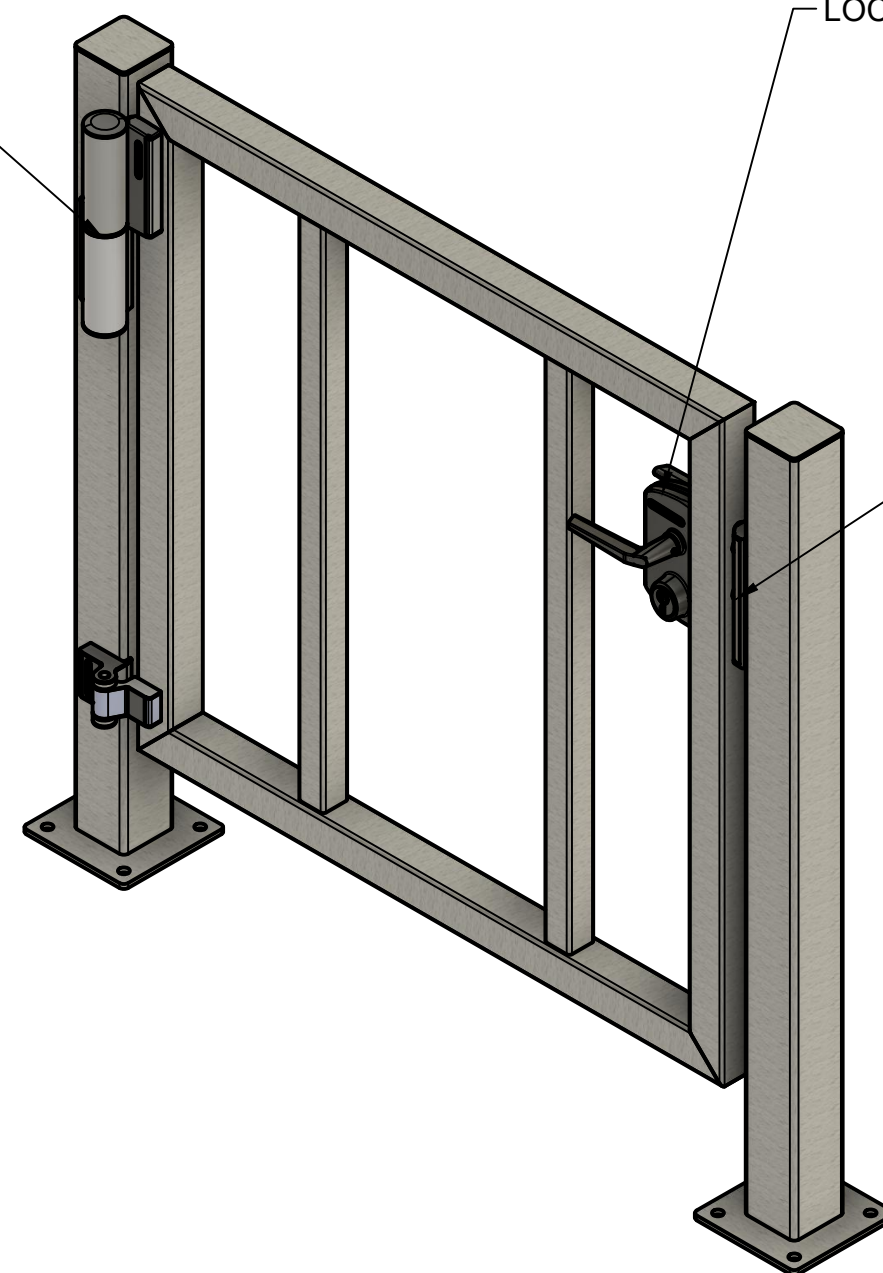
1



LOCINOX TIGER HYDRAULIC CLOSER

LOCINOX LOCK BODY

LOCINOX STRIKE



34

- * This document is protected by the Copyright Laws of the United States Copyrights Office.
- * This document is not to be distributed without the written permission of Outlaw Industries "LLC".
- * This design is subject to change at anytime without notice.
- * Field measurement may vary



PROJECT
AG-36-SG

TITLE
AG-36-SG-SS-D RH

APPROVED	SIZE	CODE	DWG NO	REV
CHECKED	C			
DRAWN Jesse Moses 2/6/2023	SCALE 1:8	WEIGHT	SHEET 1/1	

4

3

2

1

4

3

2

1