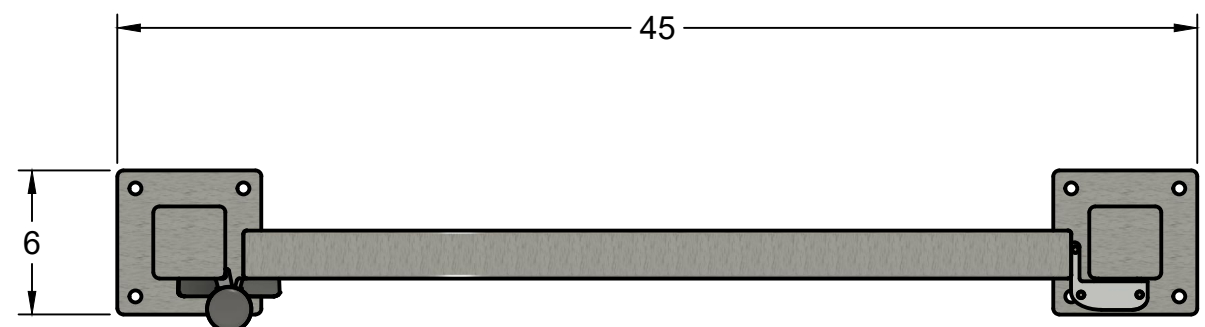


4

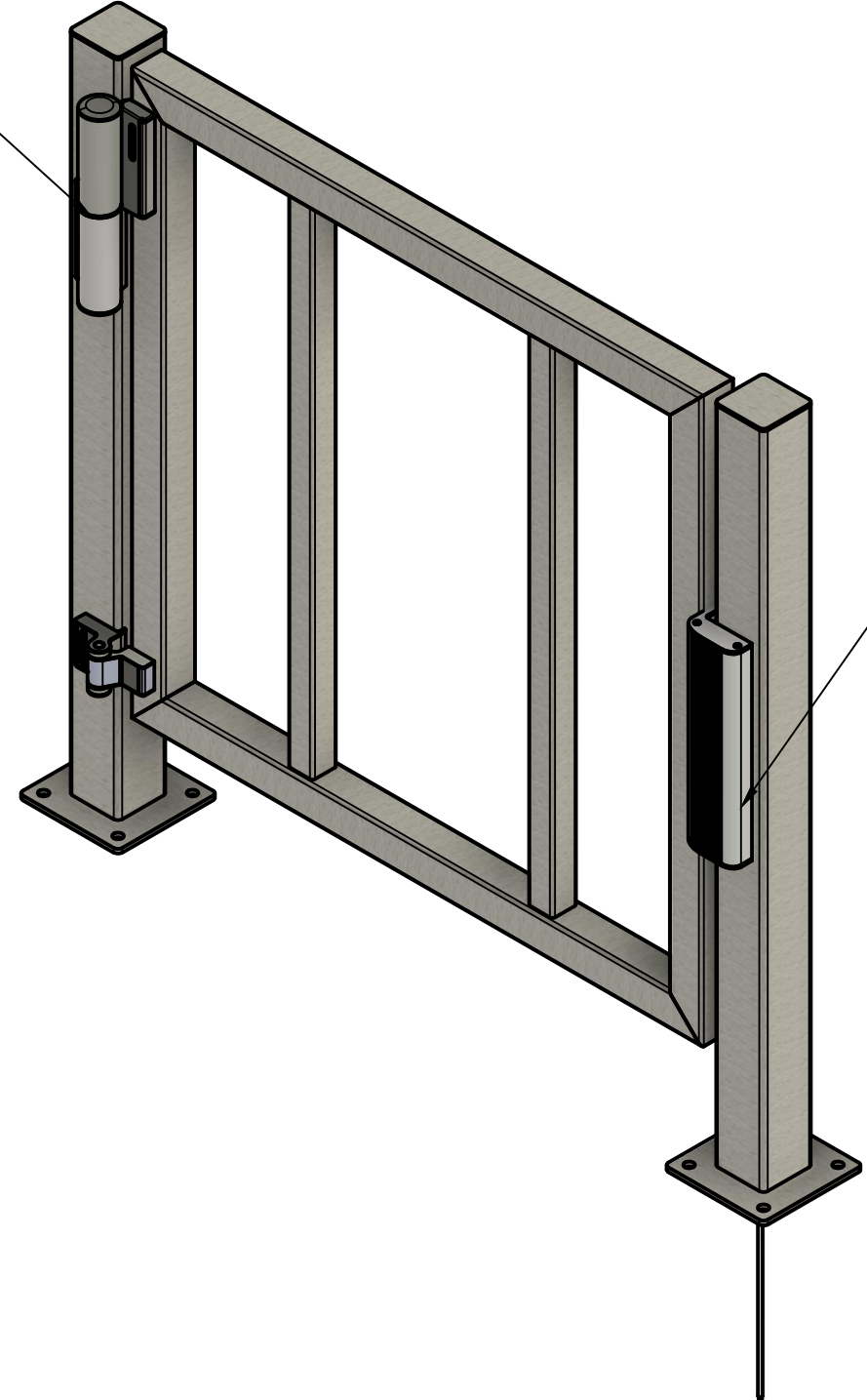
3

2

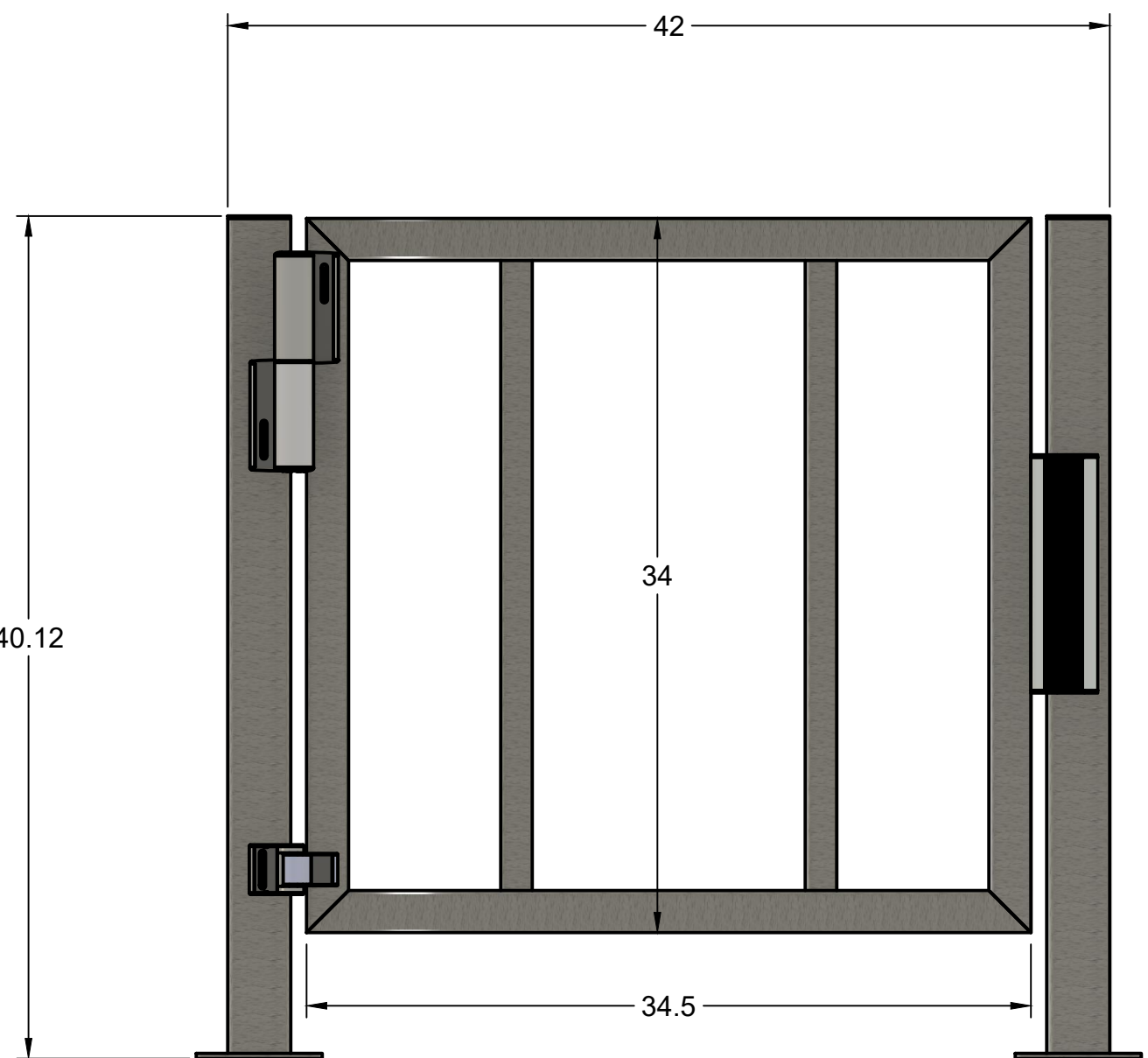
1



LOCINOX TIGER HYDRAULIC SELF CLOSER



LOCINOX B-MAG MAG LOCK



* This document is protected by the Copyright Laws of the United States Copyrights Office.
 * This document is not to be distributed without the written permission of Outlaw Industries "LLC".
 * This design is subject to change at anytime without notice.
 * Field measurement may vary



PROJECT
AG-36-SG

TITLE
AG-36-SG-SS-M RH

APPROVED	SIZE	CODE	DWG NO	REV
CHECKED	C			
DRAWN Jesse Moses 2/6/2023	SCALE 1:8	WEIGHT	SHEET 1/1	

4

3

2

1

D

D

C

C

B

B

A

A