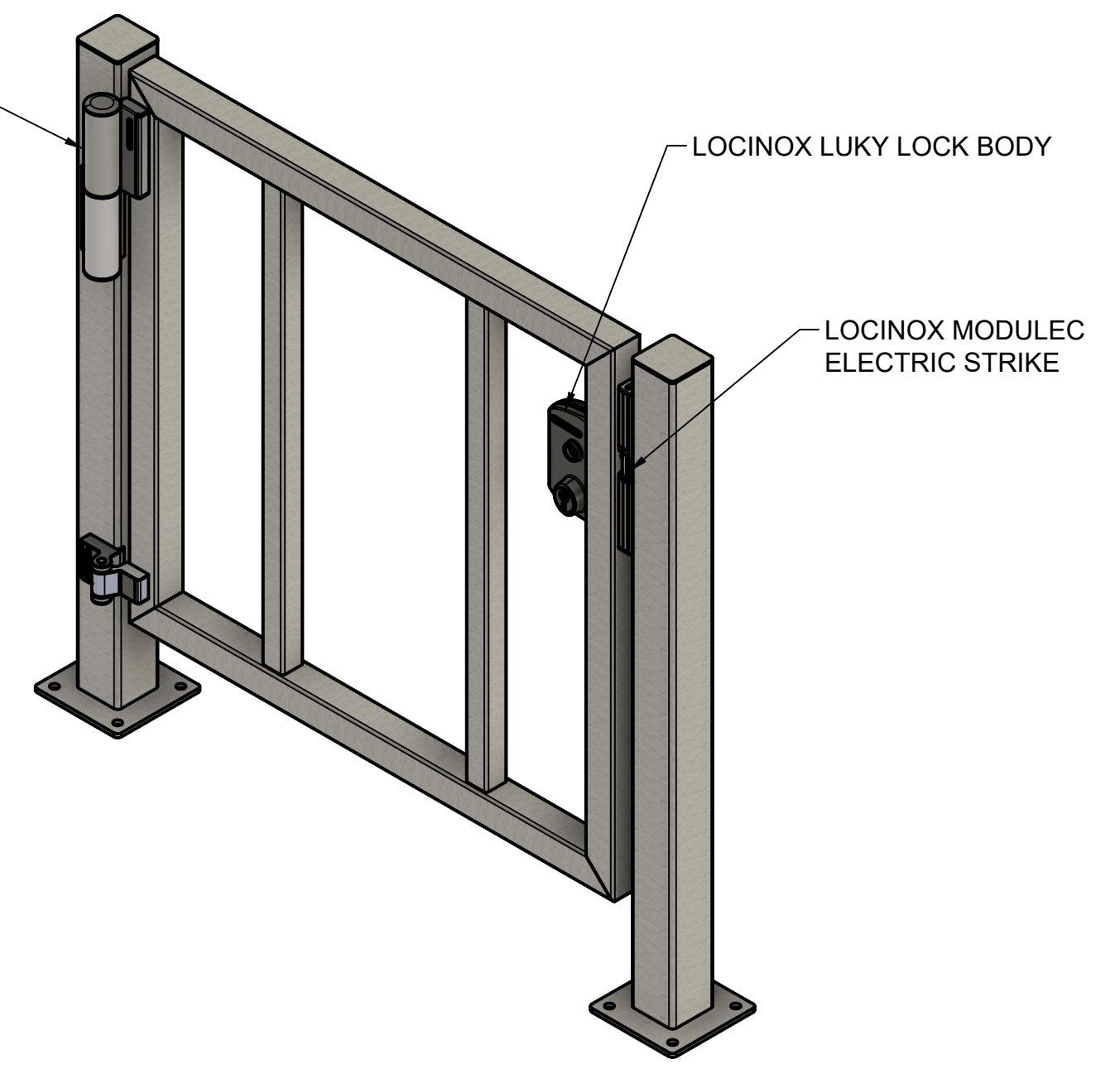


LOCINOX TIGER HYDRAULIC CLOSER



\* This document is protected by the Copyright Laws of the United States Copyrights Office.  
 \* This document is not to be distributed without the written permission of Outlaw Industries "LLC".  
 \* This design is subject to change at anytime without notice.  
 \* Field measurement may vary



PROJECT  
**AG-36-SG**  
 TITLE  
**AG-36-SG-SS-S RH**

APPROVED	SIZE	CODE	DWG NO	REV
CHECKED	C			
DRAWN Jesse Moses 2/6/2023	SCALE 1:8	WEIGHT	SHEET 1/1	