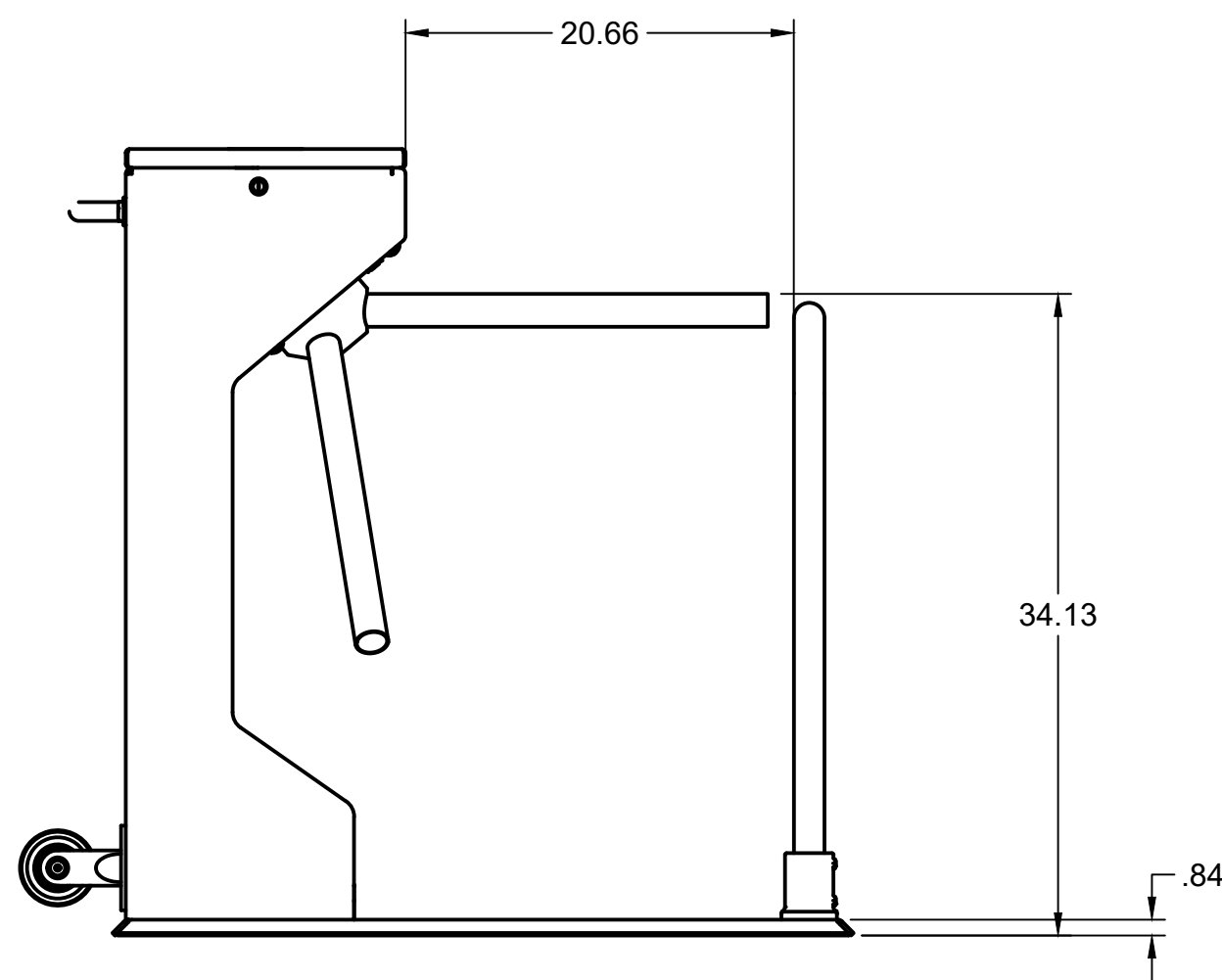
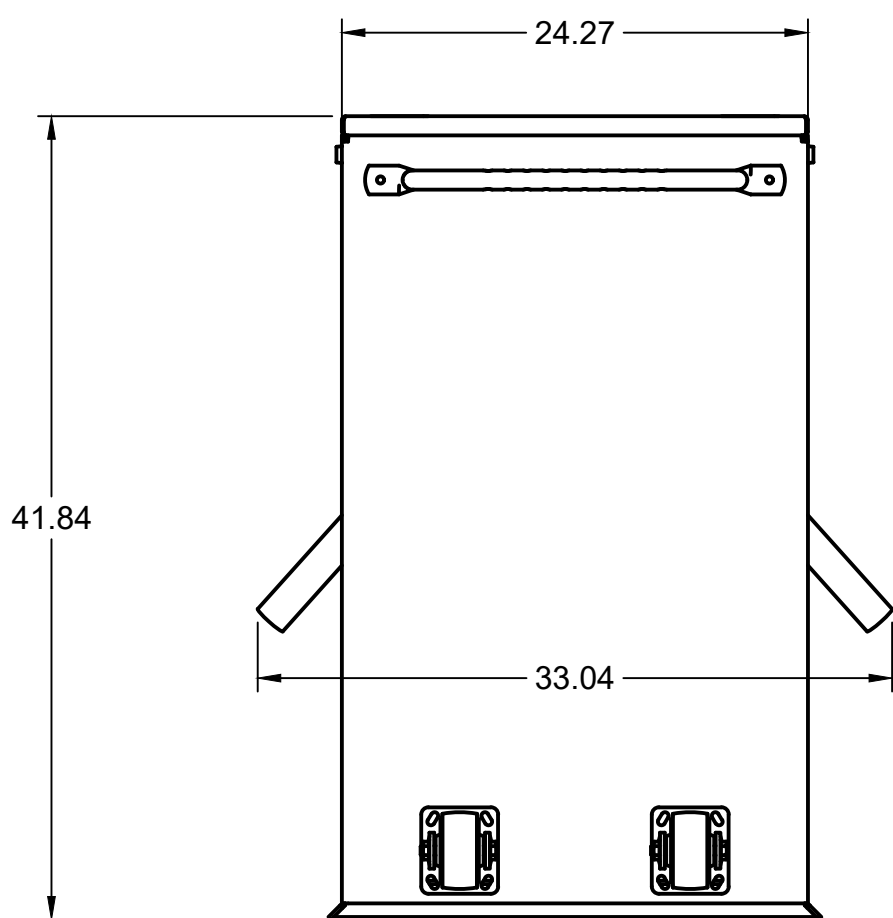
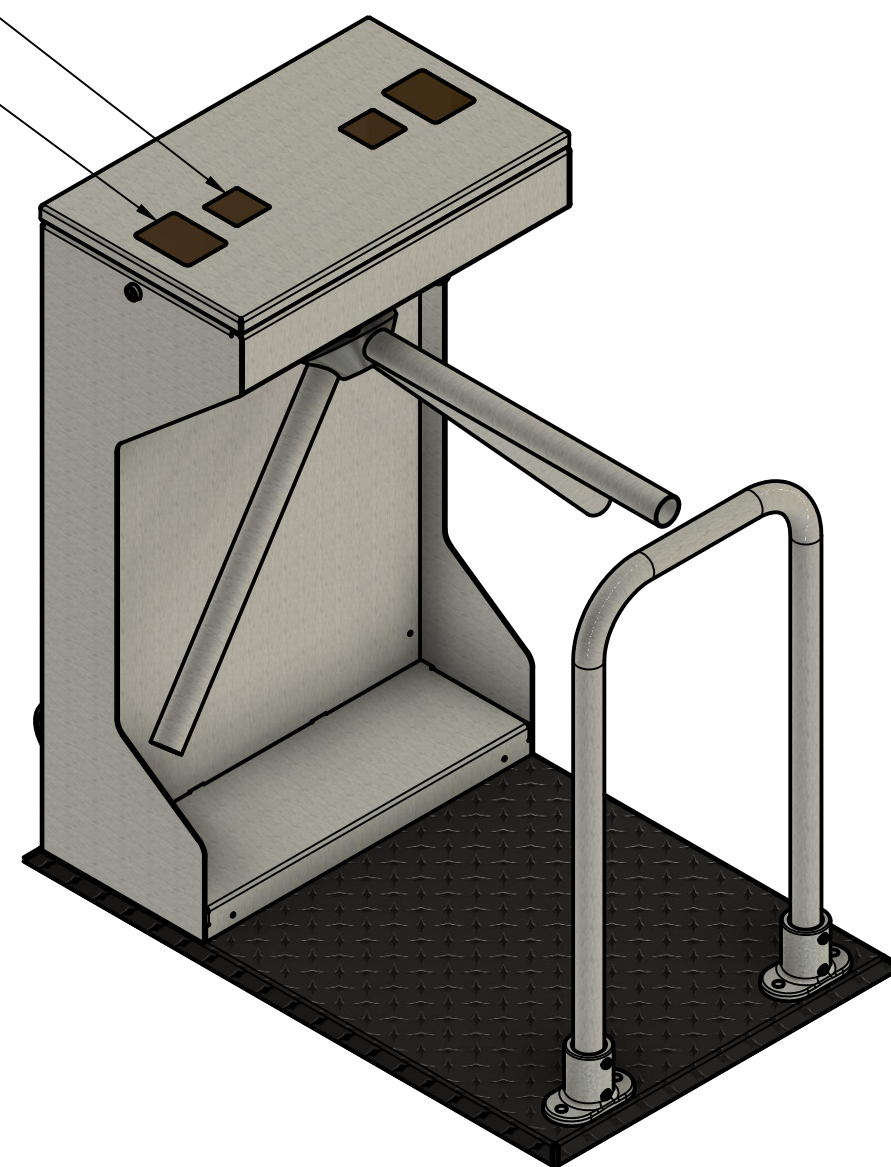
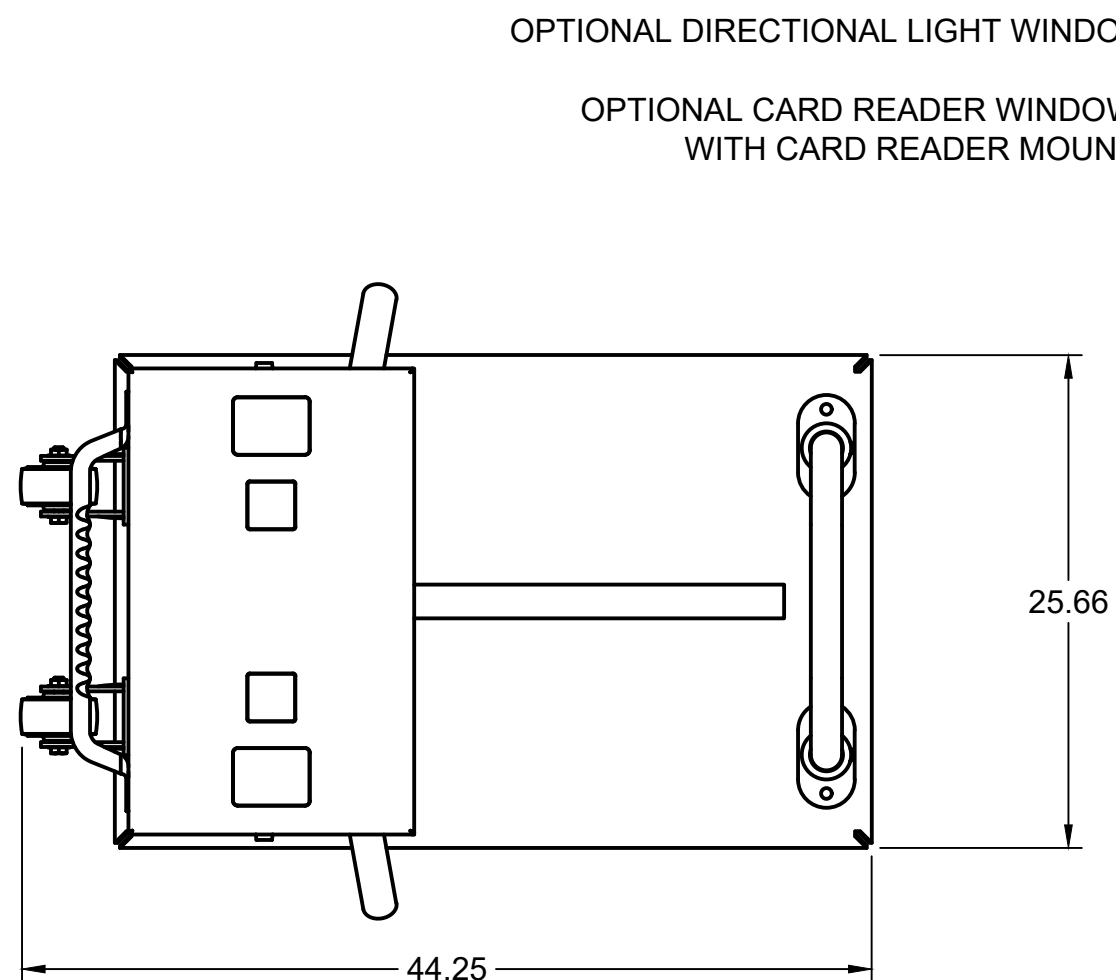
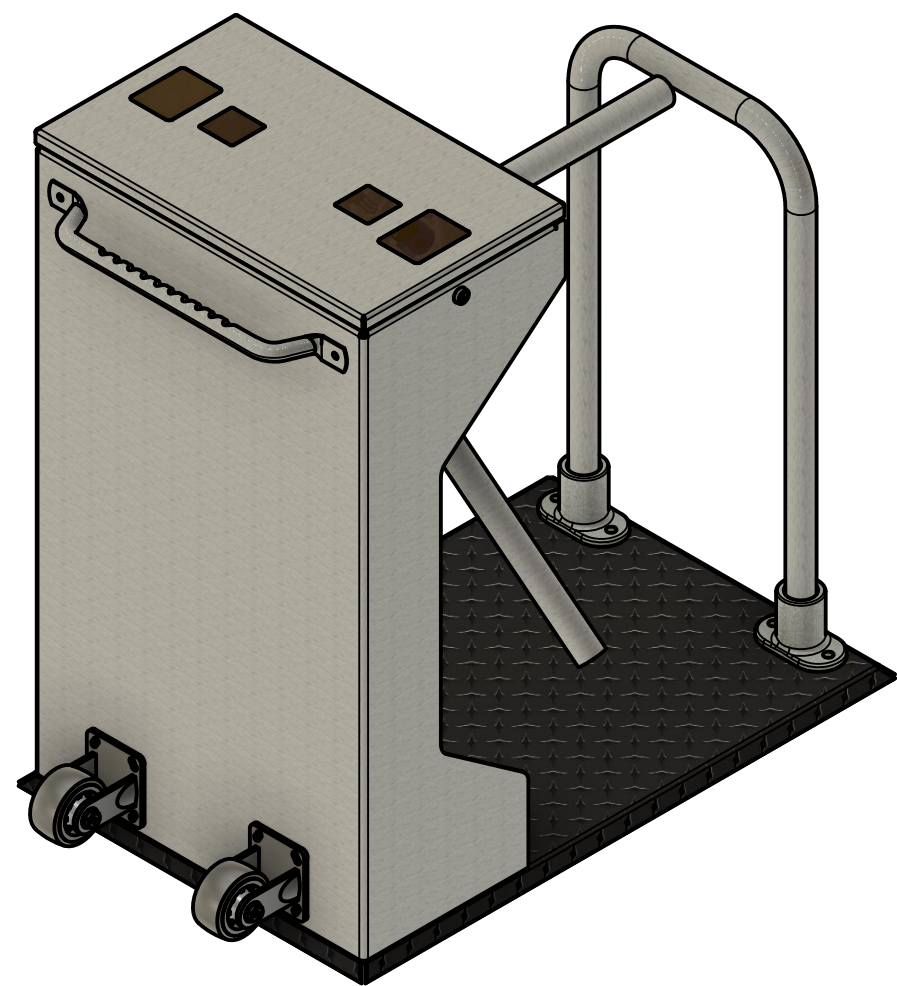


4

3

2

1



- \* This document is protected by the Copyright Laws of the United States Copyrights Office.
- \* This document is not to be distributed without the written permission of Outlaw Industries "LLC".
- \* This design is subject to change at anytime without notice.
- \* Field measurement may vary



PROJECT  
**TRIPOD TURNSTILES**

TITLE  
**OL-20-ETP-SS PORTABLE  
2D ELEVATIONS**

APPROVED	SIZE	CODE	DWG NO	REV
CHECKED	C			
DRAWN Jesse Moses 2/22/2023	SCALE 1:10	WEIGHT	SHEET 1/1	

4

3

2

1

D

D

C

C

B

B

A

A