

4

3

2

1

D

D

C

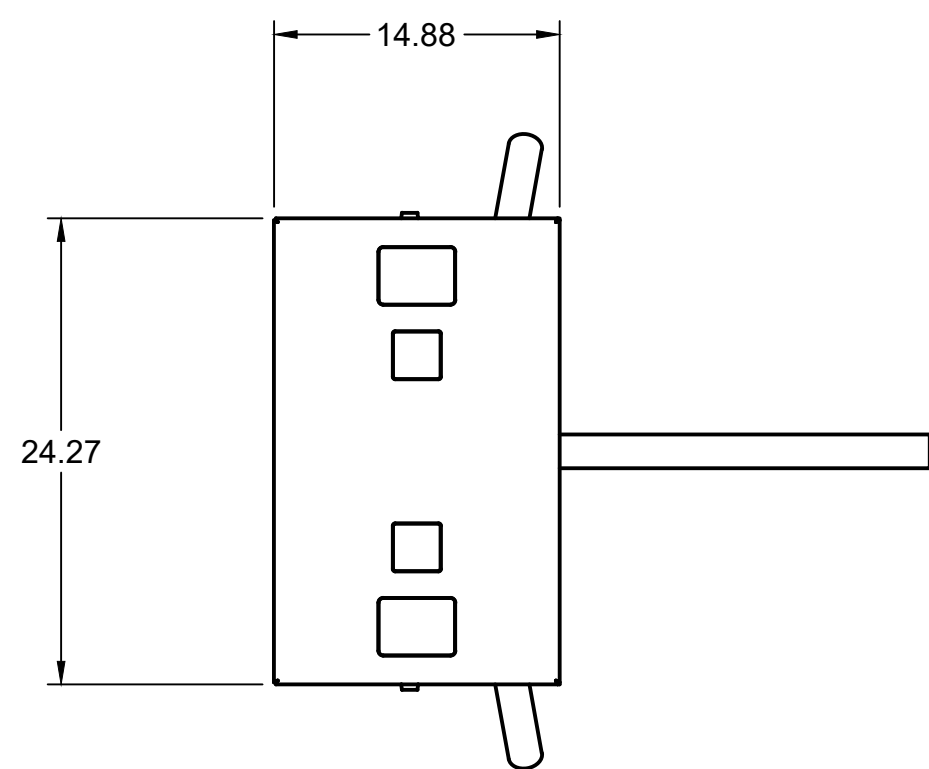
C

B

B

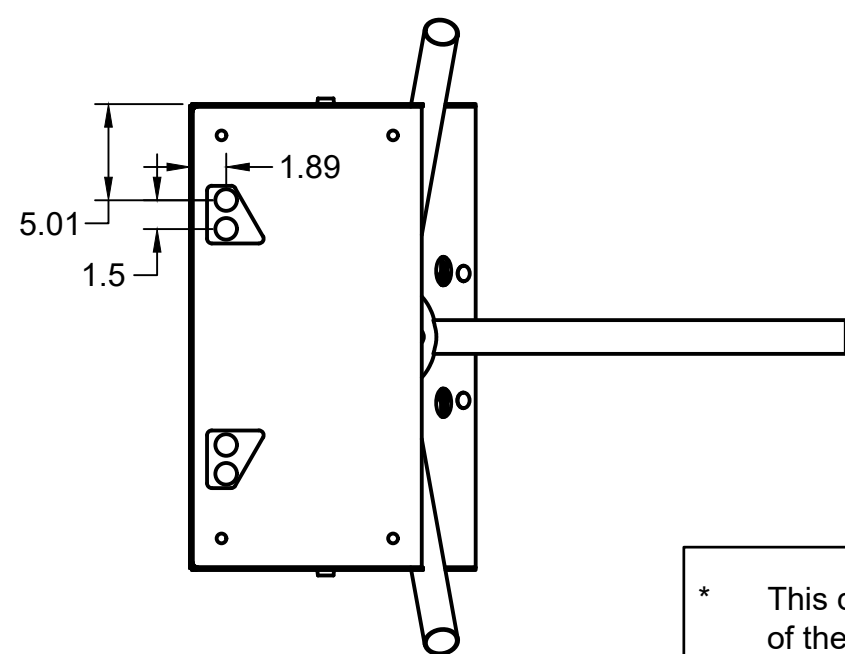
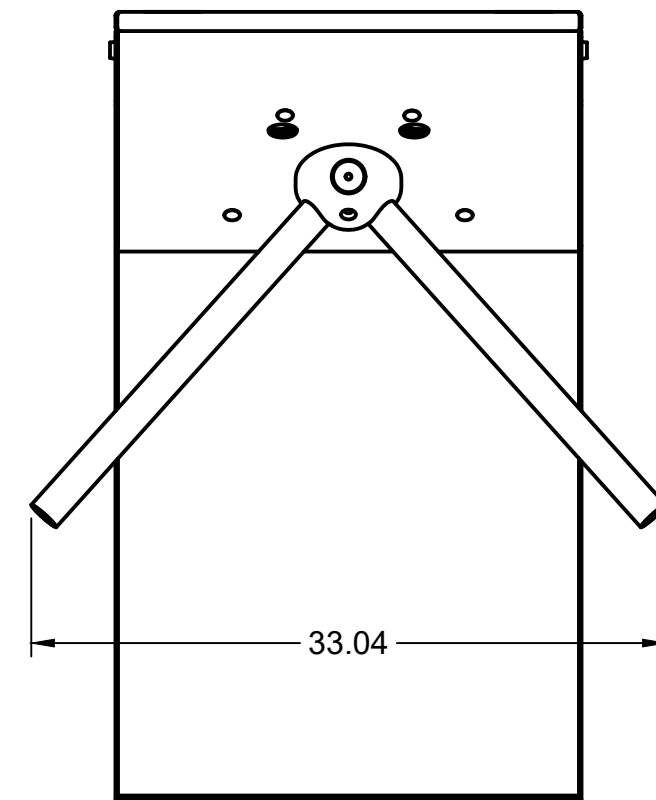
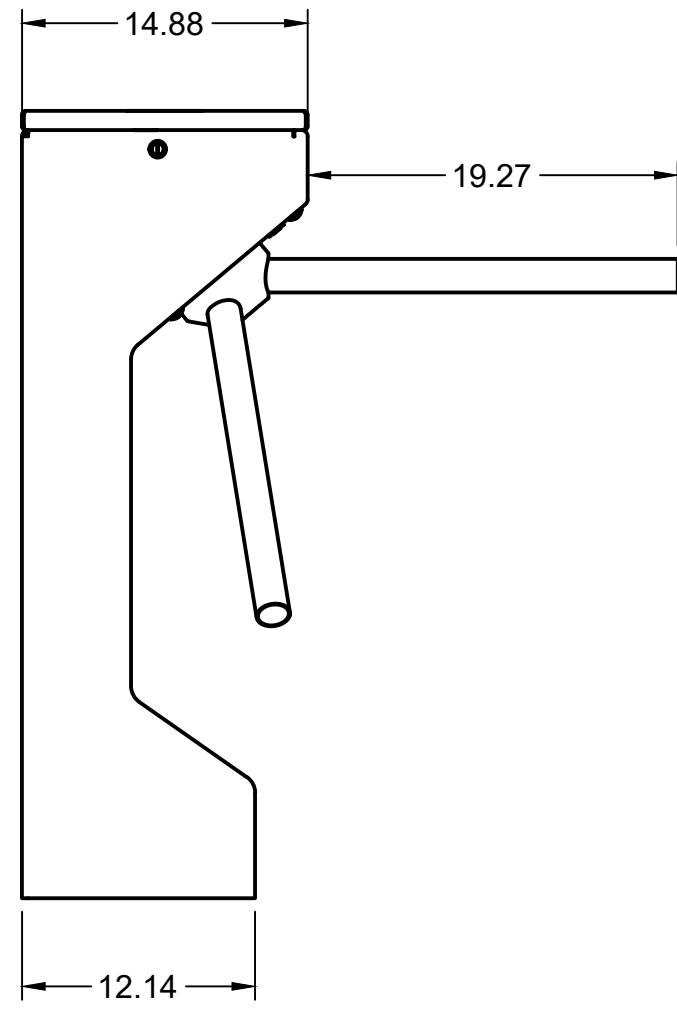
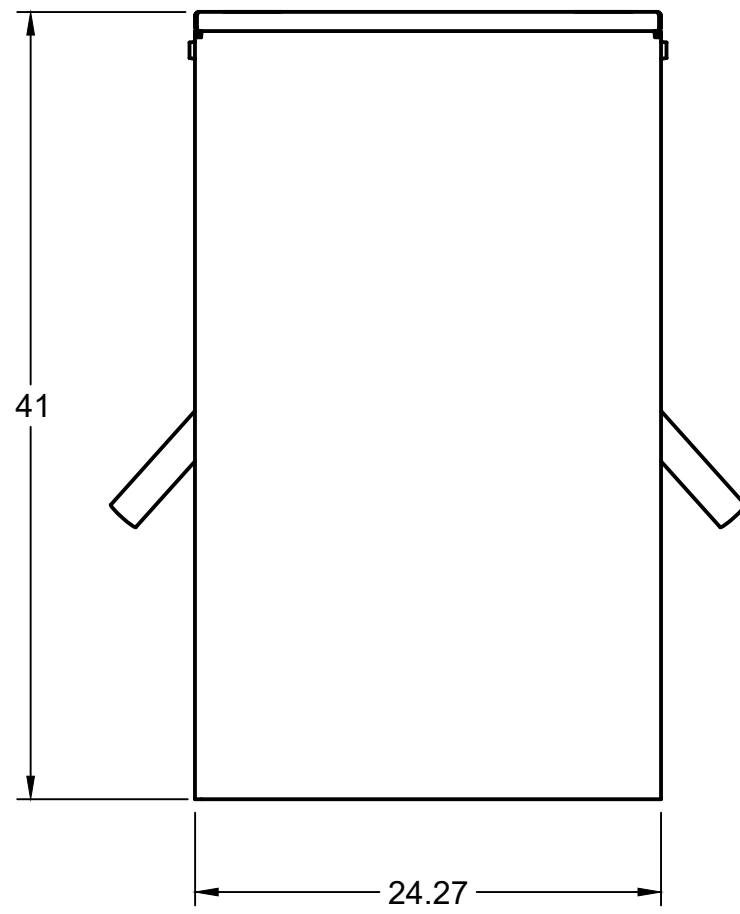
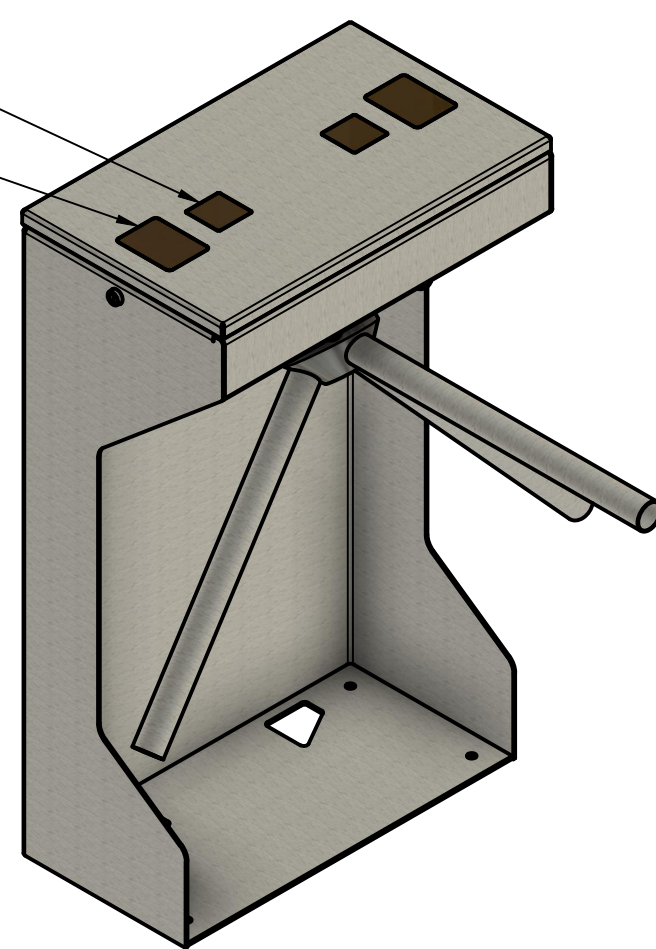
A

A



OPTIONAL INDICATOR LIGHT WINDOW

OPTIONAL CARD READER WINDOW WITH MOUNT



* This document is protected by the Copyright Laws of the United States Copyrights Office.
 * This document is not to be distributed without the written permission of Outlaw Industries "LLC".
 * This design is subject to change at anytime without notice.
 * Field measurement may vary



PROJECT
TRIPOD TURNSTILES

TITLE
**OL-20-TP-SS
 ELEVATIONS**

APPROVED	SIZE	CODE	DWG NO	REV
CHECKED	C			
DRAWN Jesse Moses 2/23/2023	SCALE 1:10	WEIGHT	SHEET 1/1	

4

3

2

1