

4

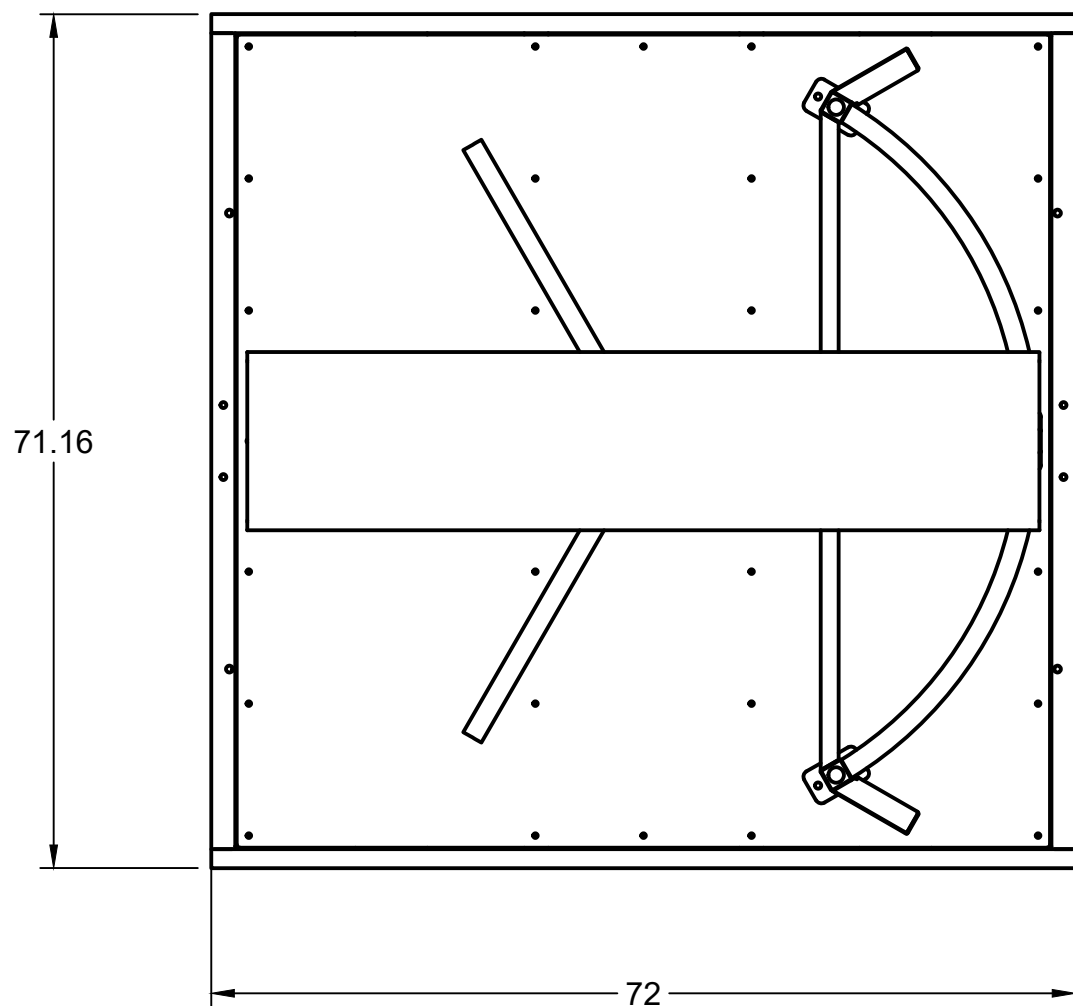
3

2

1

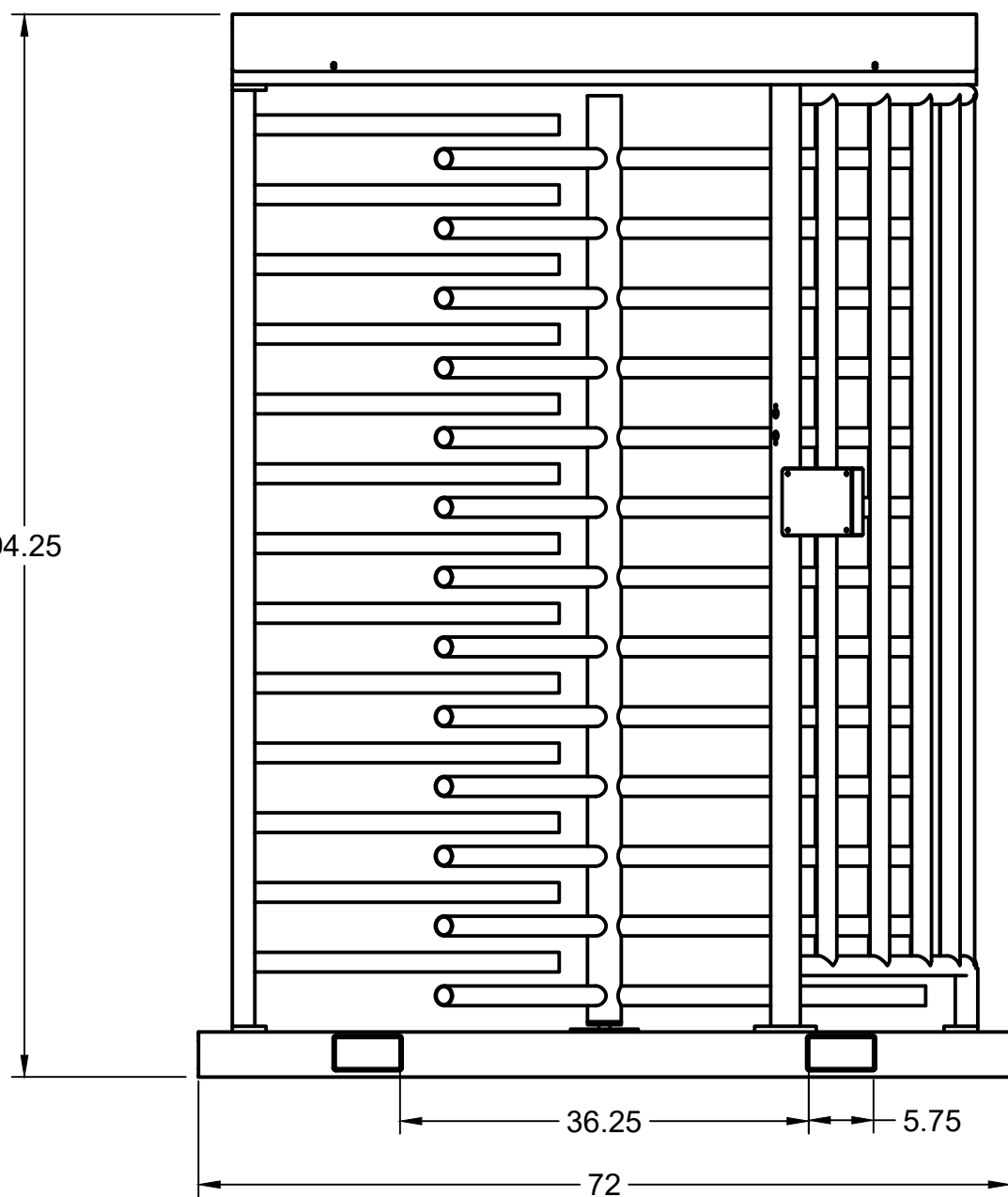
D

D



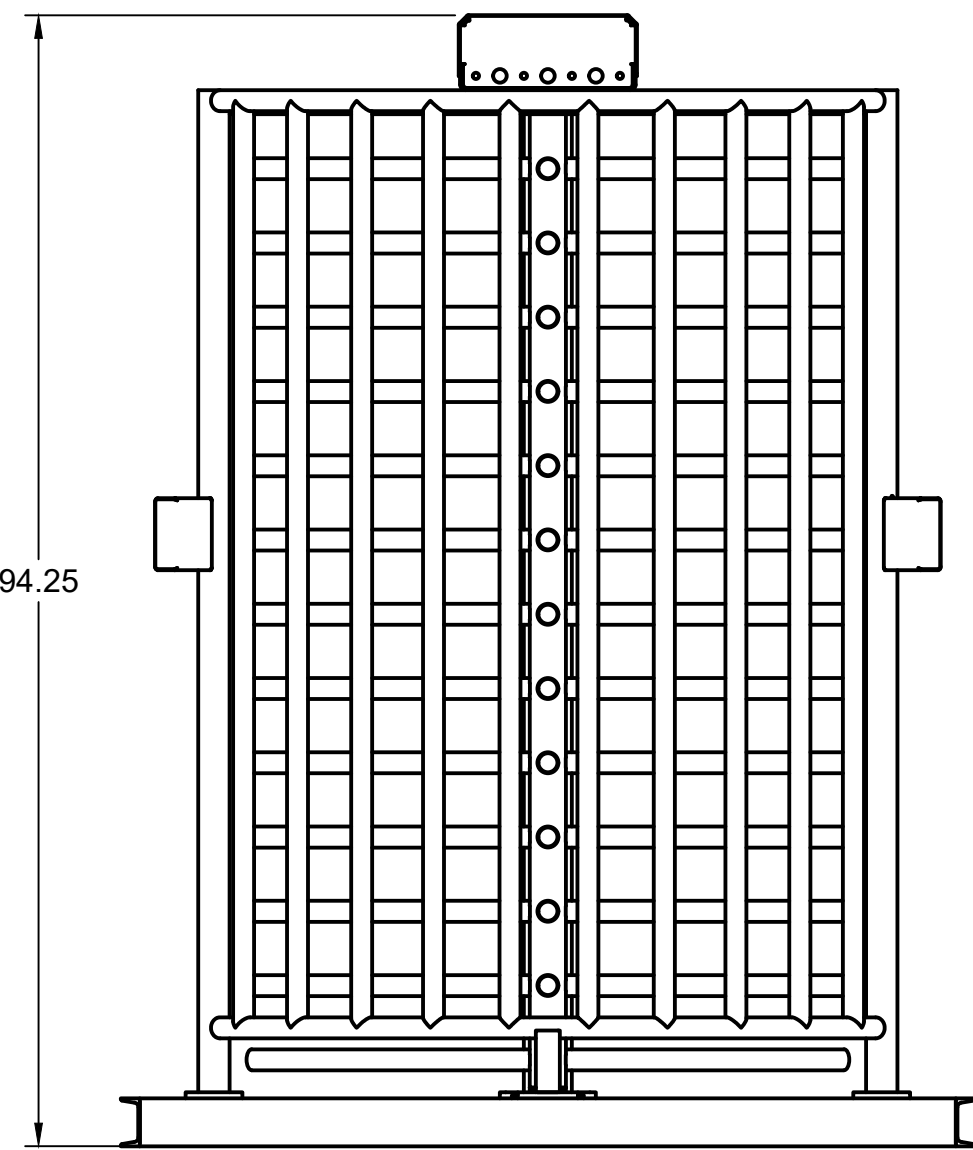
C

C



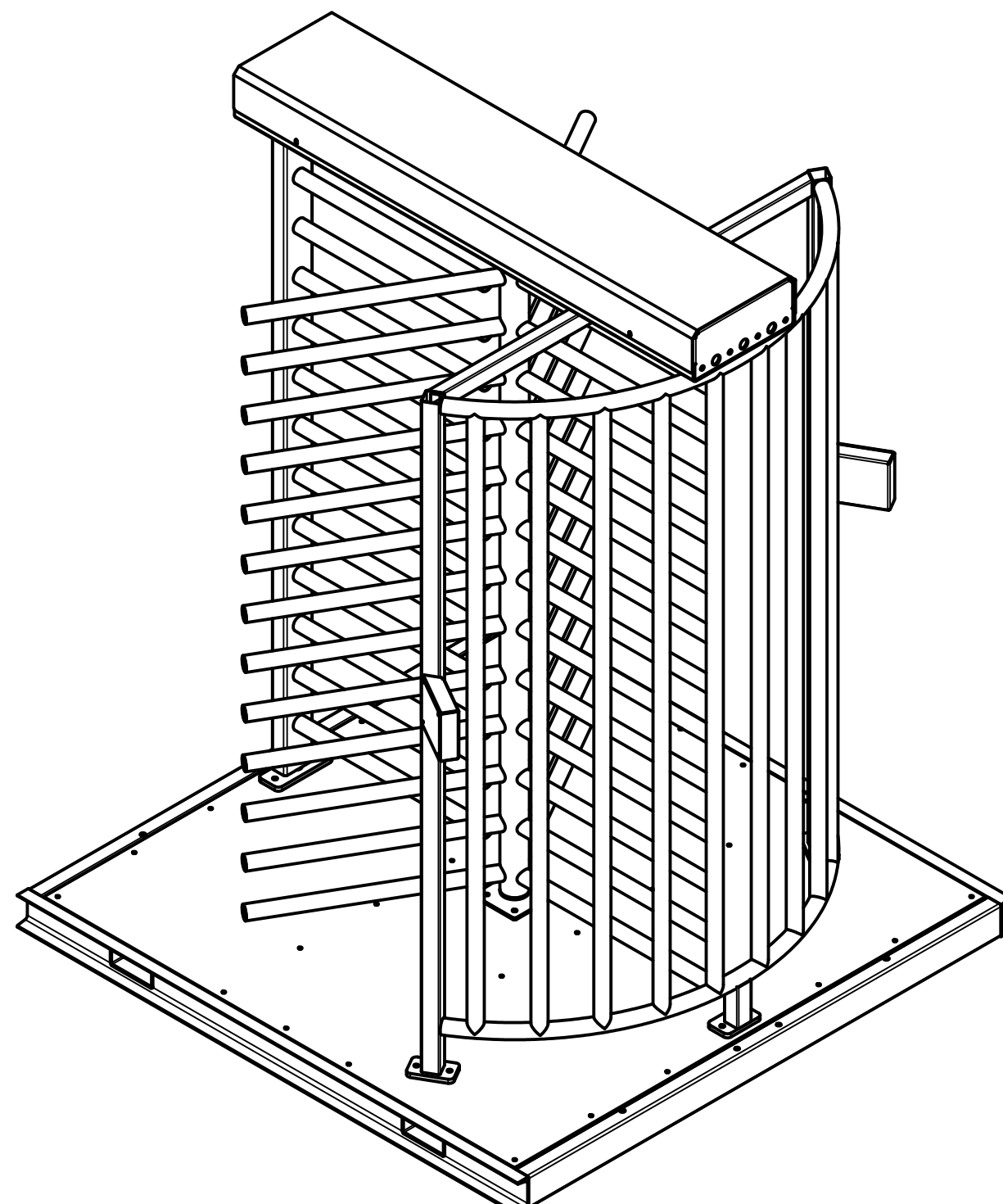
B

B



A

A



* This document is protected by the Copyright Laws of the United States Copyrights Office.
 * This document is not to be distributed without the written permission of Outlaw Industries "LLC".
 * This design is subject to change at anytime without notice.
 * Field measurement may vary



PROJECT
PORTABLE TURNSTILES
 TITLE
PORTABLE AG-30-T TURNSTILE

APPROVED	SIZE	CODE	DWG NO	REV
CHECKED	C			
DRAWN Jesse Moses 2/13/2023	SCALE 1:16	WEIGHT	SHEET 1/1	

4

3

2

1