

AG-36/AG-48 ADA GATE

INSTALLATION MANUAL



OUTLAW INDUSTRIES
3475 S. CALHAN HWY
CALHAN, CO 80808
SALES@OUTLAWINDUSTRIES.CO

JESSE JAMES: 719-427-2233
JESSE JAMES JR: 719-427-2241
SHOP: 1-800-590-0464

CONTENTS

UNPACKAGING 3

GENERAL DIMENSIONS 3

FULL HEIGHT ADA GATE NOMENCLATURE 3

INSTALLATION 4

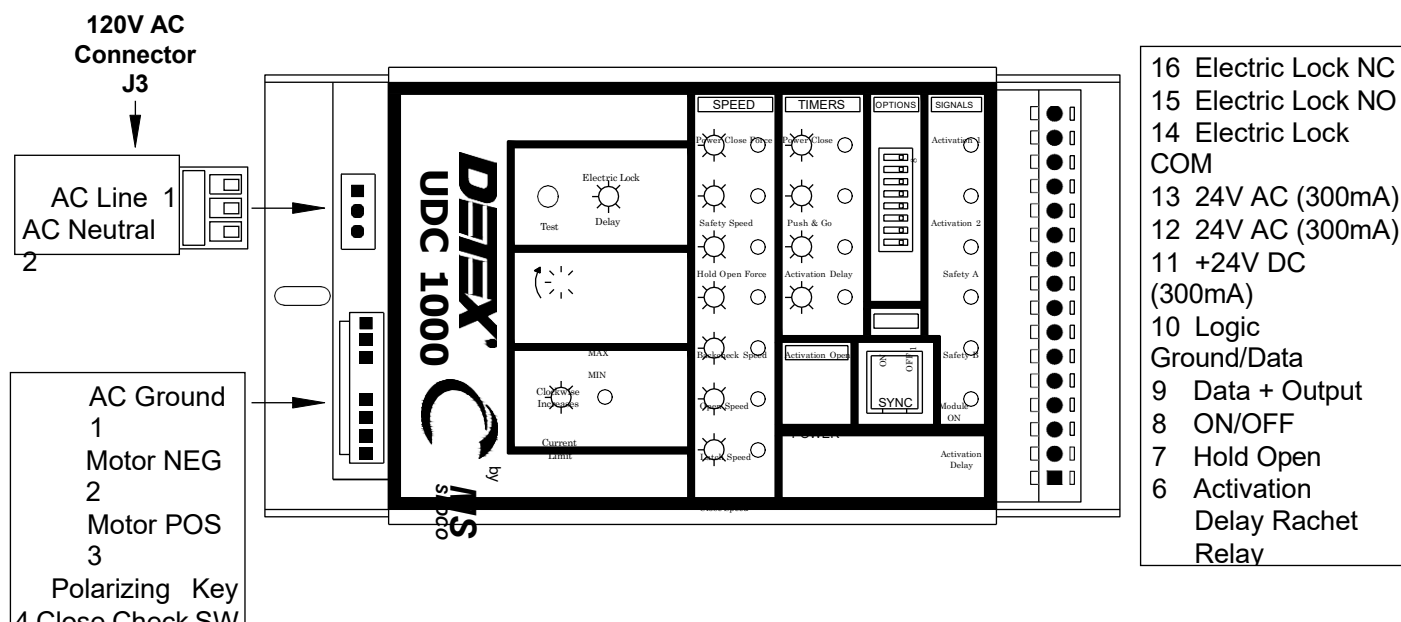
HINGE ADJUSTMENT 8

ELECTRICAL REQUIEMENTS FOR NON-MOTORIZED GATES 8

ELECTRICAL REQUIEMENTS FOR MOTORIZED GATES 8

ELECTRIC STRIKE SPECS 9

MOTORIZED OPERATOR CONTROLLER PINOUT 10



Field Replacement P/N: 105421. See Page 11

MOTORIZED OPERATOR CONTROLLER FUNCTION DESCRIPTIONS 10

 3-position Toggle Switch Description: 10

 SPEED POTENTIOMETERS 11

 TIMER POTENTIOMETERS 11

 LEDs 12

WARRANTY AND DISCLAIMER 13

<p>OUTLAW INDUSTRIES 3475 S. CALHAN HWY CALHAN, CO 80808 SALES@OUTLAWINDUSTRIES.CO</p>	<p>JESSE JAMES: 719-427-2233 JESSE JAMES JR: 719-427-2241 SHOP: 1-800-590-0464</p>
--	---



OUTLAW INDUSTRIES
3475 S. CALHAN HWY
CALHAN, CO 80808
SALES@OUTLAWINDUSTRIES.CO

JESSE JAMES: 719-427-2233
JESSE JAMES JR: 719-427-2241
SHOP: 1-800-590-0464

UNPACKAGING

VERIFY YOU HAVE ALL PARTS AND HARDWARE LISTED BELOW.

1. GATE AND FRAME ASSEMBLY
2. HARDWARE BOX

GENERAL DIMENSIONS

<u>MODEL</u>	<u>OVERALL WIDTH</u>	<u>OVERALL HEIGHT</u>	<u>DEPTH</u>
AG-36-ADA	41"	91"	8"
AG-48-ADA	53"	91"	8"

FULL HEIGHT ADA GATE NOMENCLATURE

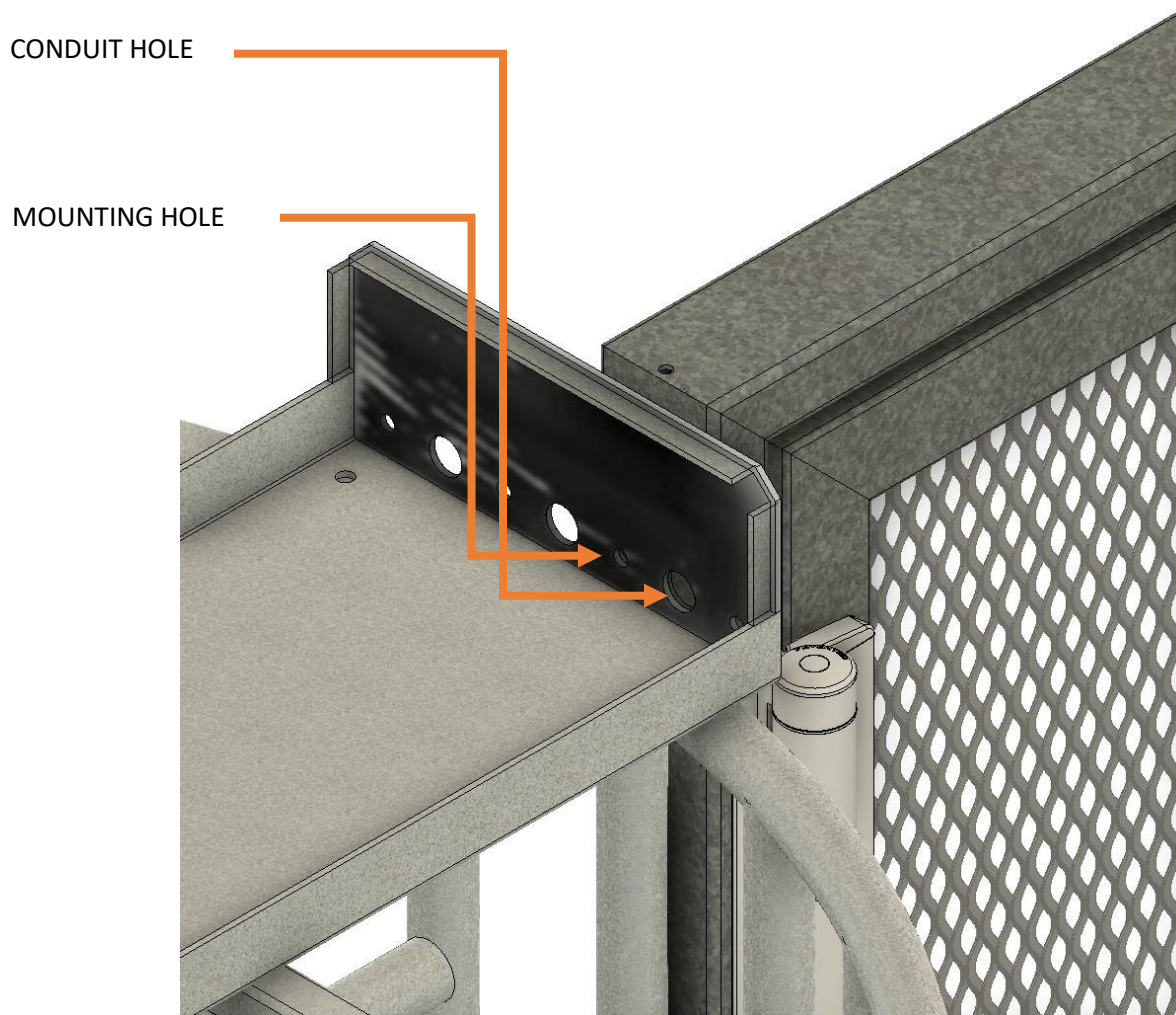
AG	36	ADA	GV	S
SERIES	PASSAGE WIDTH IN INCHES 36 48	ADA FOR ADA GATE	GV- GALVANIZED PC- POWDER COATED POG- POWDER COATED OVER GALVANIZED SS- STAINLESS STEEL	D- PULL/RIM EXIT S- PULL/STRIKE/RIM EXIT M- HANDLE/MAG LOCK/SENSE BAR E- ELECTRIC RIM EXIT

OUTLAW INDUSTRIES
3475 S. CALHAN HWY
CALHAN, CO 80808
SALES@OUTLAWINDUSTRIES.CO

JESSE JAMES: 719-427-2233
JESSE JAMES JR: 719-427-2241
SHOP: 1-800-590-0464

INSTALLATION

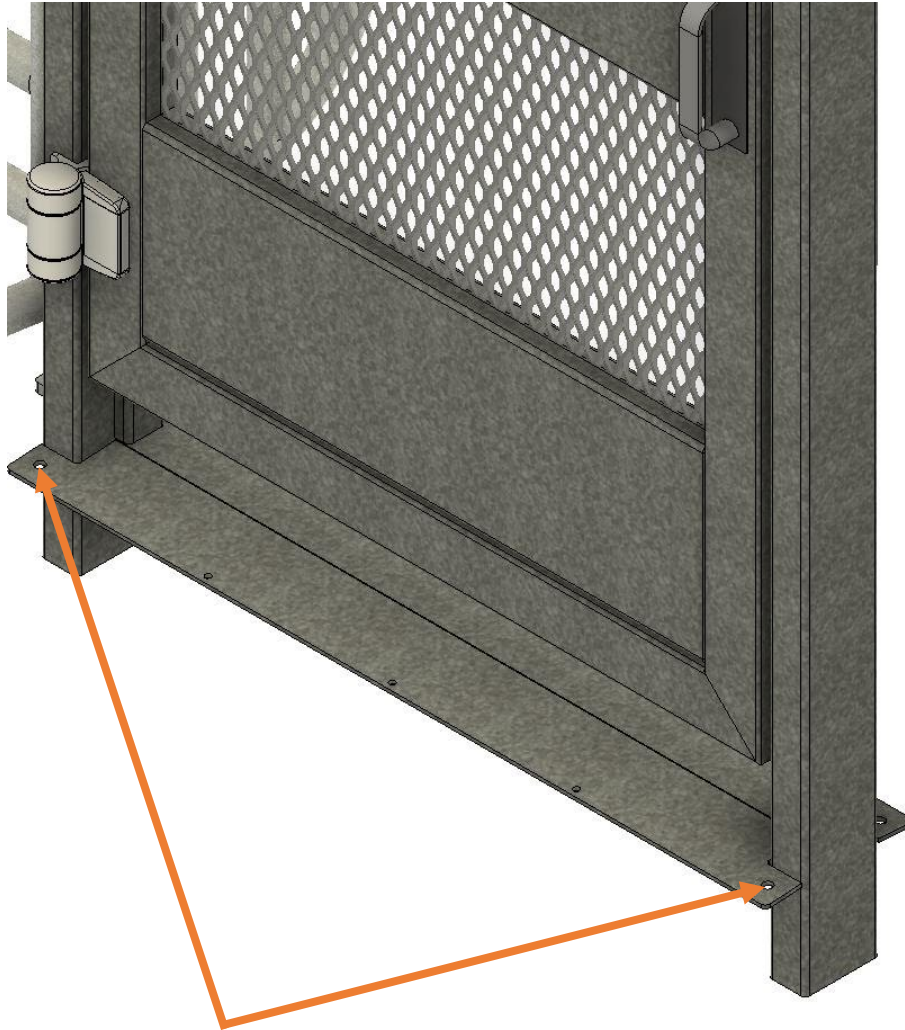
1. STARTING WITH A LEVEL CONCRETE SURFACE, FIND THE CENTERLINE OF THE DOORWAY BY SNAPING A LINE WITH A CHALK LINE.
2. IF ADDED SECURITY AND STABILITY IS DESIRED, CORING 6" DIAMETER HOLES AND SETTING THE LEGS OF THE GATE IN CONCRETE IS AN OPTION, HOWEVER IT IS NOT REQUIRED WHEN THE FRAME IS SECURED PROPERLY.
3. IF THE GATE IS BEING MOUNTED TO A TURNSTILE, THERE IS A CONDUIT HOLE AND A RIVET NUT IN THE SIDE OF THE FRAME THAT ALIGN WITH THE HOLES IN THE HEADER OF THE TURNSTILE. SEE IMAGE BELOW.



OUTLAW INDUSTRIES
3475 S. CALHAN HWY
CALHAN, CO 80808
SALES@OUTLAWINDUSTRIES.CO

JESSE JAMES: 719-427-2233
JESSE JAMES JR: 719-427-2241
SHOP: 1-800-590-0464

4. WITH THE GATE PLUMB AND LEVEL, USE A 3/8" HAMMER DRILL BIT TO DRILL THE 4 ANCHOR HOLES ON THE THRESHOLD. ANCHOR WITH PROVIDED 3/8" WEDGE ANCHORS.

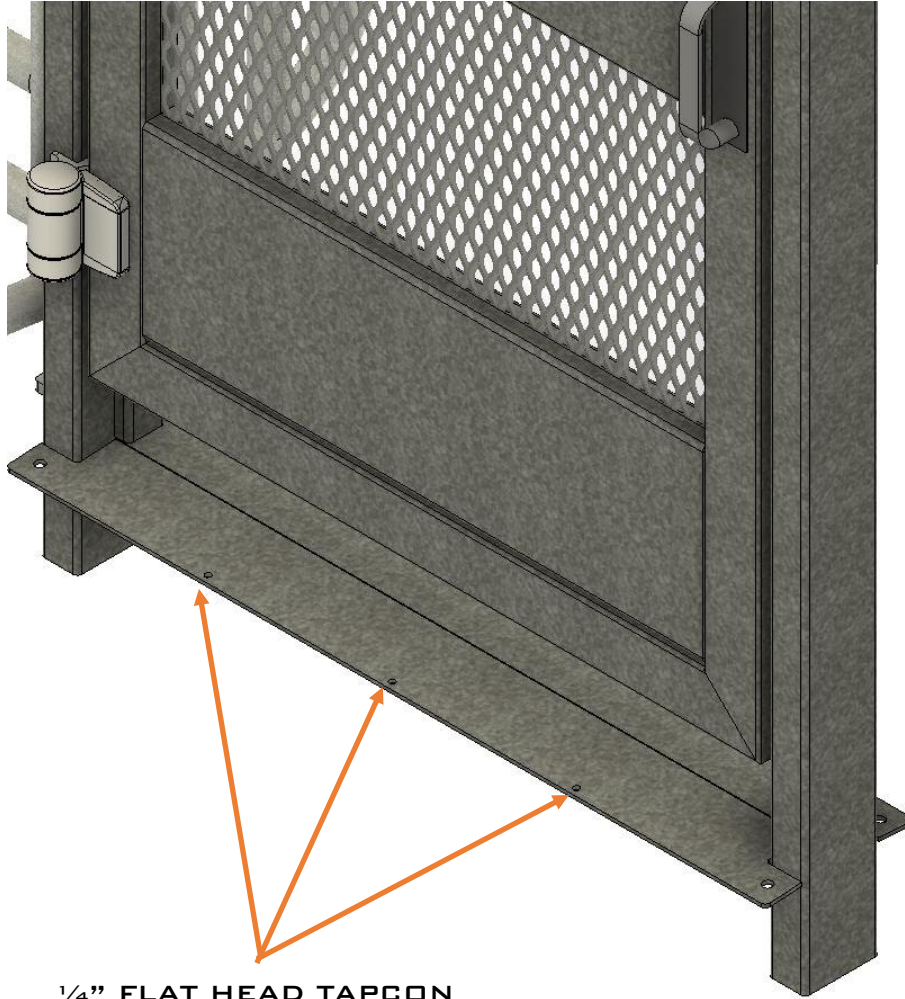


3/8" ANCHOR POINTS

OUTLAW INDUSTRIES
3475 S. CALHAN HWY
CALHAN, CO 80808
SALES@OUTLAWINDUSTRIES.CO

JESSE JAMES: 719-427-2233
JESSE JAMES JR: 719-427-2241
SHOP: 1-800-590-0464

5. USE A 3/16" HAMMER DRILL BIT TO DRILL THE HOLES ON THE LIP OF THE THRESHOLD, ANCHOR WITH SUPPLIED 1/4" FLAT HEAD TAPCONS.

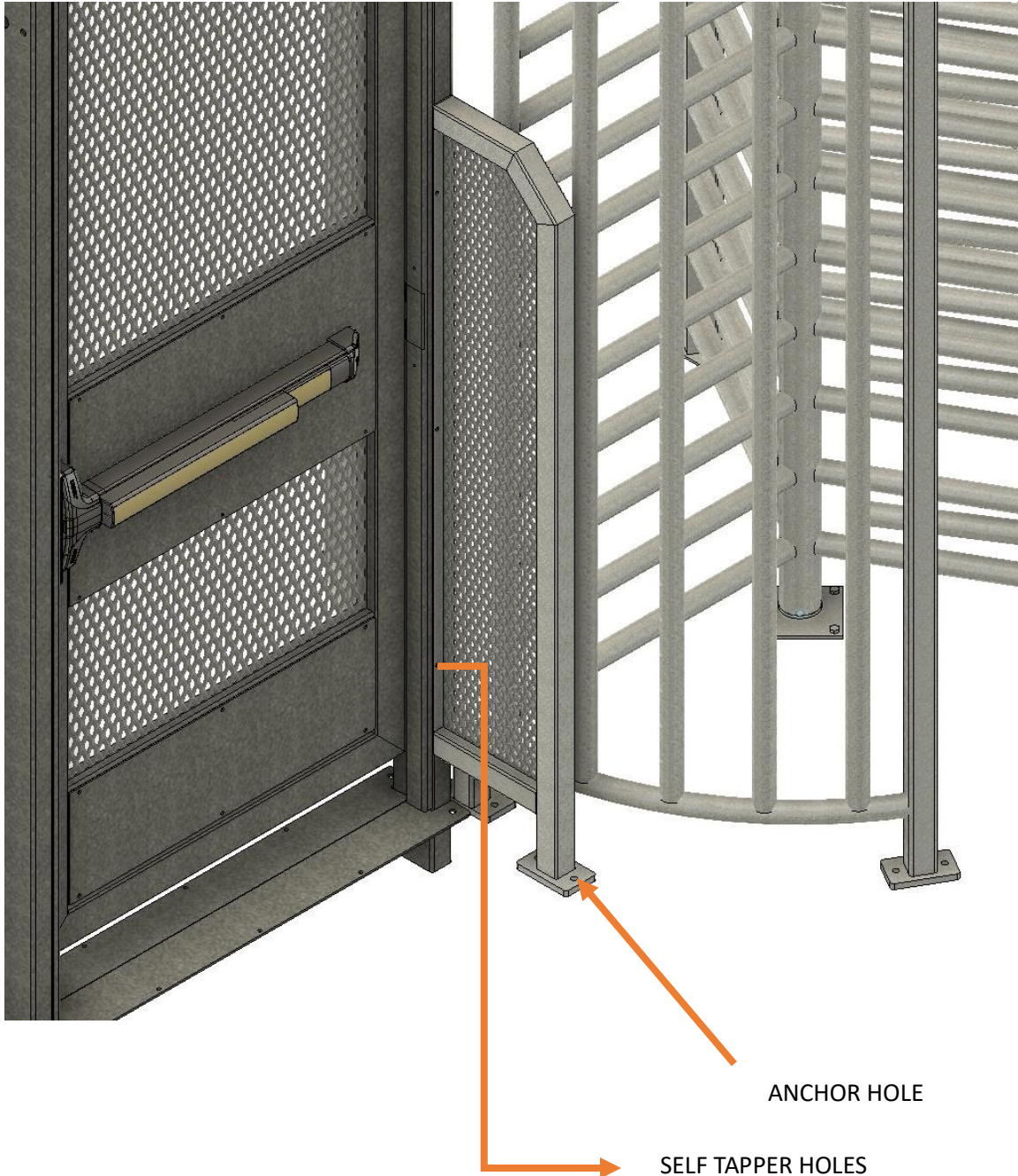


1/4" FLAT HEAD TAPCON
ANCHOR POINTS

OUTLAW INDUSTRIES
3475 S. CALHAN HWY
CALHAN, CO 80808
SALES@OUTLAWINDUSTRIES.CO

JESSE JAMES: 719-427-2233
JESSE JAMES JR: 719-427-2241
SHOP: 1-800-590-0464

6. IF AN ANTI REACH BARRIER WAS PURCHASED WITH THE ADA GATE, HOLD THE ANTI REACH BARRIER IN THE DESIRED POSITION, MARK AND HAMMER DRILL THE HOLES WITH A 3/8" HAMMER DRILL BIT. INSTALL THE ANCHORS AND FASTEN THE ANTI REACH BARRIER TO THE GATE WITH THE PROVIDED SELF TAPPING SCREWS.

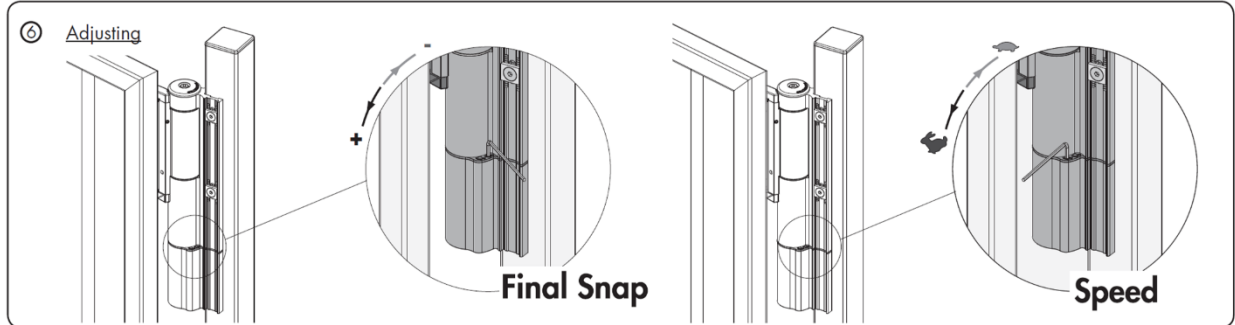


OUTLAW INDUSTRIES
3475 S. CALHAN HWY
CALHAN, CO 80808
SALES@OUTLAWINDUSTRIES.CO

JESSE JAMES: 719-427-2233
JESSE JAMES JR: 719-427-2241
SHOP: 1-800-590-0464

7. IF NOT MOUNTING THE ADA GATE TO A TURNSTILE, IT IS RECOMMENDED TO HAVE AT LEAST 1 POINT OF CONTACT ON THE TOP OF THE FRAME, AND THAT THE GATE IS INSTALLED LEVEL AND PLUMB.

HINGE ADJUSTMENT



ELECTRICAL REQUIEMENTS FOR NON-MOTORIZED GATES

ELECTRIC STRIKE VOLTAGE	24V DC
AMPERAGE DRAW	.5 - 1 AMPS
OPERATING TEMPERATURE	-40 °F - 120 °F

ELECTRICAL REQUIEMENTS FOR MOTORIZED GATES

ELECTRIC STRIKE VOLTAGE	24V DC
STRIKE AMPERAGE DRAW	.5 AMPS
MOTORIZED OPERATOR VOLTAGE	115V AC
OPERATOR AMPERAGE DRAW	3 AMPS
OPERATING TEMPERATURE	-40 °F - 120 °F

<p>OUTLAW INDUSTRIES 3475 S. CALHAN HWY CALHAN, CO 80808 SALES@OUTLAWINDUSTRIES.CO</p>	<p>JESSE JAMES: 719-427-2233 JESSE JAMES JR: 719-427-2241 SHOP: 1-800-590-0464</p>
--	--

ELECTRIC STRIKE SPECS

EN850 FEATURES:

- **SUPERIOR STRENGTH** -- 2,000+ LBS UL® TESTED.
- **SUPERIOR LIFE** -- DURABILITY OF 1,000,000+ LIFE CYCLES
- **SUPERIOR APPLICATION** - OUTDOOR UL® RATING ALLOWS THE STRIKE TO BE USED ANYWHERE - ESPECIALLY GOOD FOR GATES.
- FOR A VERSION THAT CAN BE USED WITH A GATEBOX AND MOUNTED ANYWHERE, CHECK OUT THE [EN400RP](#)
- FAIL SECURE/FAIL SAFE FIELD REVERSIBLE ON DC UNITS.
- **GRADE 1 STRIKE** -- CONTAINS A ONE PIECE LOCKING MECHANISM WITH ONE SOLENOID -- **LESS PARTS MEAN LESS PROBLEMS.**
- LEFT AND RIGHT HANDING IS FIELD REVERSIBLE.
- *YOUR GO ANYWHERE STRIKE!*

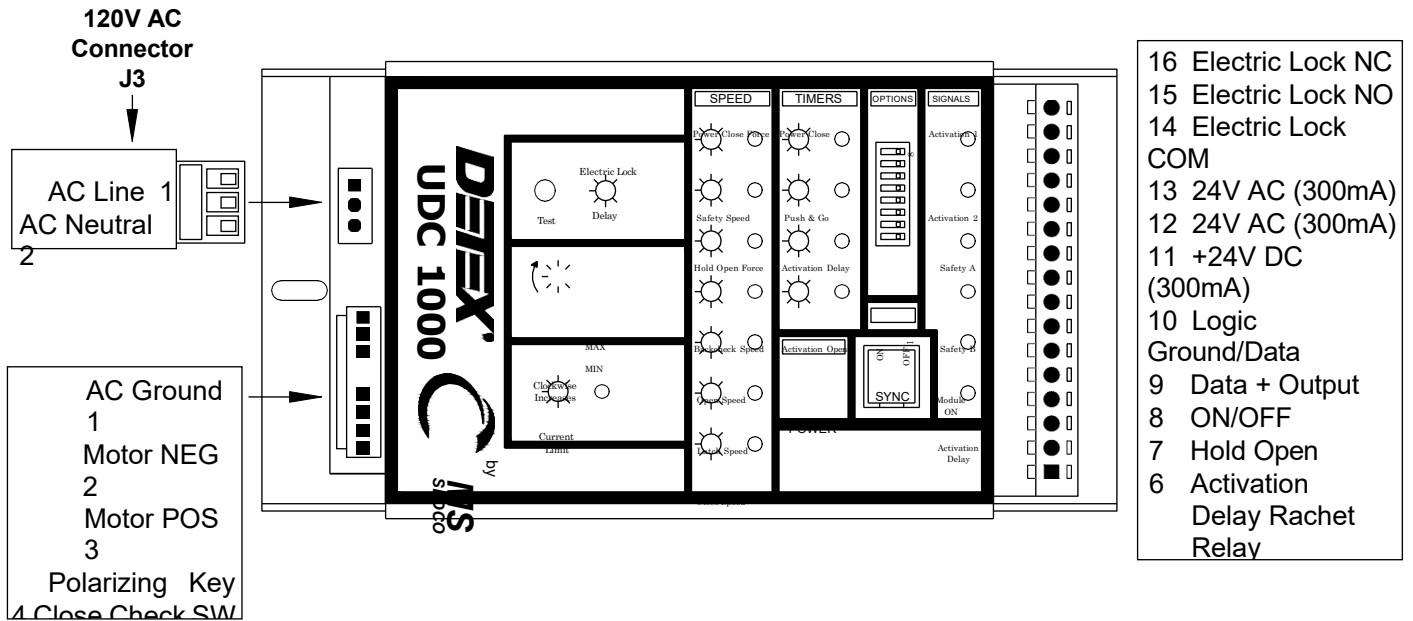
EN850 SPECIFICATIONS:

- UL® LISTED 1034 - INDOOR/OUTDOOR BURGLARY RESISTANT
- UL294 (6TH EDITION) LISTED
- BHMA 156.31 2001, GRADE 1
- NYC MEA 79-01-E
- NOT FIRE RATED

OUTLAW INDUSTRIES
3475 S. CALHAN HWY
CALHAN, CO 80808
SALES@OUTLAWINDUSTRIES.CO

JESSE JAMES: 719-427-2233
JESSE JAMES JR: 719-427-2241
SHOP: 1-800-590-0464

MOTORIZED OPERATOR CONTROLLER PINOUT



Field Replacement P/N: 105421. See Page 11

MOTORIZED OPERATOR CONTROLLER FUNCTION DESCRIPTIONS

TEST: WITH THE 3-POSITION TOGGLE SWITCH IN THE ON POSITION, PUSH TEST BUTTON TO CYCLE TEST THE OPERATOR.

3-position Toggle Switch Description:

ON: THE MODULE ON LED TURNS ON. THE OPERATOR IS ACTIVE AND FUNCTIONS WHEN THE TEST BUTTON IS PUSHED.

OFF: THE MODULE ON LED TURNS OFF. NO OPERATOR FUNCTIONS ARE ACTIVE.

HOLD OPEN: THE MODULE ON AND ACTIVATION 1 LED'S TURN ON (IF THE DOOR IS LATCHED, THE DOOR WILL NEED TO BE UNLATCHED) AND

THE CONTROLLER WILL SIGNAL THE MOTOR TO PUSH OR PULL THE DOOR OPEN UNTIL THE 3-POSITION SWITCH IS TOGGLED TO THE ON OR OFF POSITION.

OUTLAW INDUSTRIES
3475 S. CALHAN HWY
CALHAN, CO 80808
SALES@OUTLAWINDUSTRIES.CO

JESSE JAMES: 719-427-2233
JESSE JAMES JR: 719-427-2241
SHOP: 1-800-590-0464

CAUTION: TO AVOID DAMAGE, DO NOT OVER ROTATE OR USE EXCESSIVE FORCE TO TURN POTENTIOMETERS!

COUNTERCLOCKWISE IS MIN, CLOCKWISE IS MAX.

CURRENT LIMIT POTENTIOMETER: ADJUSTS THE AMOUNT OF CURRENT ALLOWED FOR THE MOTOR TO DRAW BEFORE SHUTTING OFF FOR 10 SECONDS.

ELECTRIC LOCK DELAY POTENTIOMETER: ADJUSTS THE TIME DELAY FROM ACTIVATION INPUT TO THE START OF OPENING CYCLE.

(APPROXIMATE RANGE IS 0 SECONDS TO 1-1/2 SECONDS.)

SPEED POTENTIOMETERS

CLOSE POTENTIOMETER: ADJUSTS CLOSE SPEED FROM FULL OPEN TO LAST 10%. (LATCH)

LATCH POTENTIOMETER: ADJUSTS THE SPEED OF THE LAST 10% OF CLOSING.

OPEN POTENTIOMETER: ADJUSTS THE SPEED OF OPENING FROM START TO 80% OPEN. (BACKCHECK)

BACKCHECK POTENTIOMETER: ADJUSTS THE SPEED FROM 80% OPEN TO FULL OPEN.

HOLD OPEN FORCE POTENTIOMETER: ADJUSTS THE FORCE REQUIRED TO HOLD DOOR OPEN. NOT A TIMER ADJUSTMENT.

SAFETY POTENTIOMETER: ADJUSTS THE OPEN SPEED DURING A SAFETY B SIGNAL TO GROUND.

POWER CLOSE FORCE POTENTIOMETER: ADJUSTS THE FORCE APPLIED TO CLOSE THE DOOR FROM LATCH TO FULL CLOSE WHEN THE POWER CLOSE OPTION IS USED.

TIMER POTENTIOMETERS

ACTIVATION OPEN POTENTIOMETER: ADJUSTS THE TIME OF THE OPENING CYCLE UNTIL HOLD OPEN RELEASES.

(APPROXIMATE RANGE IS 0 SECONDS TO 30 SECONDS)

OUTLAW INDUSTRIES
3475 S. CALHAN HWY
CALHAN, CO 80808
SALES@OUTLAWINDUSTRIES.CO

JESSE JAMES: 719-427-2233
JESSE JAMES JR: 719-427-2241
SHOP: 1-800-590-0464

ACTIVATION DELAY POTENTIOMETER: ADJUSTS THE TIME OF DELAY FROM AN ACTIVATION DELAY SIGNAL TO GROUND TO START OF THE

OPENING CYCLE. (APPROXIMATE RANGE IS 0 SECONDS TO 30 SECONDS)

PUSH & GO POTENTIOMETER: ADJUST CYCLE TIME OF AN ACTIVATION CREATED FROM MANUALLY PUSHING THE DOOR OPEN.

PUSH & GO DOES NOT CAUSE AN ACTIVATION 1 OR 2. CYCLE TIME MUST BE SET INDEPENDENTLY. (APPROXIMATE RANGE IS 0 SECONDS TO 30 SECONDS)

POWER CLOSE POTENTIOMETER: ADJUSTS THE TIME POWER CLOSE FORCE IS APPLIED TO POWER CLOSE A DOOR FROM LATCH TO FULL CLOSE. (APPROXIMATE RANGE IS 0 SECONDS TO 10 SECONDS)

LEDs

POWER LED: INDICATES THAT THE 115 VAC CONNECTIONS HAVE BEEN CONNECTED TO THE CONTROL. **ACTIVATION DELAY LED:** INDICATES AN ACTIVATION DELAY TO GROUND (#6 TO #1 OR #10) IS OCCURRING. **MODULE ON LED:** INDICATES A SIGNAL FROM ON/OFF TO GROUND (#8 TO #1 OR #10) IS OCCURRING.

(TOGGLE SWITCH IN ON POSITION)

SAFETY B LED: INDICATES A SIGNAL FROM SAFETY B TO GROUND (#5 TO #1 OR #10) IS OCCURRING.

SAFETY A LED: INDICATES A SIGNAL FROM SAFETY A TO GROUND (#4 TO #1 OR #10) IS OCCURRING. **ACTIVATION 2 LED:** INDICATES A SIGNAL FROM ACTIVATION 2 TO GROUND (#3 TO #1 OR #10) IS OCCURRING. **ACTIVATION 1 LED:** INDICATES A SIGNAL FROM ACTIVATION 1 (#2 TO #1 OR #10) IS OCCURRING.

CURRENT LIMIT LED: INDICATES THE MOTOR EXCEEDED THE ALLOWED CURRENT LIMIT DEFINED BY THE CURRENT LIMIT POT.

OUTLAW INDUSTRIES
3475 S. CALHAN HWY
CALHAN, CO 80808
SALES@OUTLAWINDUSTRIES.CO

JESSE JAMES: 719-427-2233
JESSE JAMES JR: 719-427-2241
SHOP: 1-800-590-0464

WARRANTY AND DISCLAIMER

WARRANTY

THANK YOU FOR YOUR INTEREST IN THE PRODUCTS AND SERVICES OF OUTLAW INDUSTRIES.

THIS LIMITED WARRANTY APPLIES TO PHYSICAL GOODS, AND ONLY FOR PHYSICAL GOODS, PURCHASED FROM OUTLAW INDUSTRIES.

WHAT DOES THIS LIMITED WARRANTY COVER?

THIS LIMITED WARRANTY COVERS ANY DEFECTS IN MATERIAL OR WORKMANSHIP UNDER NORMAL USE DURING THE WARRANTY PERIOD.

DURING THE WARRANTY PERIOD, OUTLAW INDUSTRIES WILL REPAIR OR REPLACE, AT NO CHARGE, PRODUCTS OR PARTS OF A PRODUCT THAT PROVES DEFECTIVE BECAUSE OF IMPROPER MATERIAL OR WORKMANSHIP, UNDER NORMAL USE AND MAINTENANCE.

WHAT WILL WE DO TO CORRECT PROBLEMS?

OUTLAW INDUSTRIES WILL REPAIR THE PRODUCT AT NO CHARGE, USING NEW OR REFURBISHED REPLACEMENT PARTS.

HOW LONG DOES THE COVERAGE LAST?

THE WARRANTY PERIOD FOR PHYSICAL GOODS PURCHASED FROM OUTLAW INDUSTRIES IS 18 MONTHS FROM THE DATE OF SHIPMENT TO THE END USER.

WHAT DOES THIS LIMITED WARRANTY NOT COVER?

THIS LIMITED WARRANTY DOES NOT COVER ANY PROBLEM THAT IS CAUSED BY:

- CONDITIONS, MALFUNCTIONS OR DAMAGE NOT RESULTING FROM DEFECTS IN MATERIAL OR WORKMANSHIP
- SHIPPING COST FOR REPAIR, OR DAMAGE FROM SHIPPING

WHAT DO YOU HAVE TO DO?

TO OBTAIN WARRANTY SERVICE, CONTACT US TO DETERMINE THE PROBLEM AND THE MOST APPROPRIATE SOLUTION FOR YOU. IF DEFECTS ARE CONSIDERED PRODUCT MUST BE SHIPPED BY CUSTOMER TO OUTLAW INDUSTRIES, IF DEFECTS ARE COVERED UNDER WARRANTY PRODUCT WILL BE REPAIRED AND SHIPPED BACK TO CUSTOMER BY OUTLAW INDUSTRIES.

OUTLAW INDUSTRIES
3475 S. CALHAN HWY
CALHAN, CO 80808
SALES@OUTLAWINDUSTRIES.CO

JESSE JAMES: 719-427-2233
JESSE JAMES JR: 719-427-2241
SHOP: 1-800-590-0464