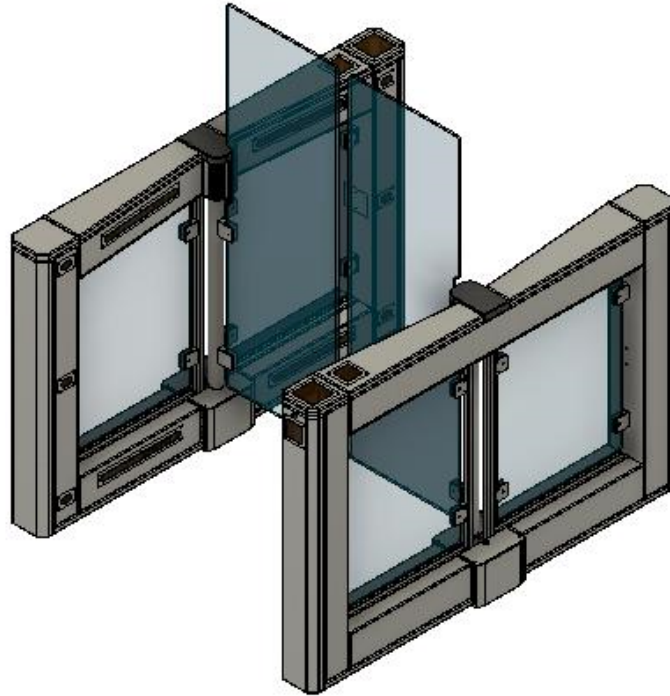




# OUTLAW INDUSTRIES

"KEEPING THE BAD GUYS OUT"

## HIGH GLASS OPTICAL PERIODIC MAINTENANCE



PERIODIC MAINTENANCE SHOULD BE PERFORMED TO AVOID POSSIBLE MALFUNCTIONS OF THE OPTICAL LANES. DOING PERIODIC MAINTENANCE WILL ENSURE THE OPTICAL LANES FUNCTION SAFELY AND PROPERLY FOR AS LONG AS POSSIBLE. PLEASE REVIEW THE PERIODIC MAINTENANCE CHART BELOW AND KEEP UP WITH IT AS MUCH AS POSSIBLE.

**OUTLAW INDUSTRIES**  
3475 S. CALHAN HWY  
CALHAN, CO 80808  
SALES@OUTLAWINDUSTRIES.CO

JESSE JAMES: 719-427-2233  
JESSE JAMES JR: 719-427-2241  
SHOP: 1-800-590-0464



# OUTLAW INDUSTRIES

“KEEPING THE BAD GUYS OUT”

## HIGH GLASS OPTICAL PERIODIC MAINTENANCE

PERIODIC MAINTENANCE FOR NORMAL USE/ FOR HEAVY USE DO THESE INSPECTIONS TWICE AS OFTEN, EXCEPT THE ONCE-A-MONTH CLEANING.

<u>INTERVAL</u>	<u>DESCRIPTION</u>	<u>DATE COMPLETED</u>
ONCE A MONTH	CLEAN EQUIPMENT WITH STAINLESS CLEANER AND GLASS CLEANER/ THIS WOULD ALSO BE A GOOD TIME TO POWER CYCLE THE EQUIPMENT. TURN OFF THE LANES WHILE YOU ARE CLEANING THEM AND POWER THEM BACK UP WHEN YOU ARE DONE	
EVERY 6 MONTHS	INSPECT GLASS CLAMPS AND ENSURE THE CLAMP COVER BOLTS ARE TIGHT. IF THEY ARE LOOSENING, LOOSEN THE SET SCREW SLIGHTLY, TIGHTEN THE CLAMP COVER BOLTS AND RETIGHTEN THE SET SCREW	
EVERY 6 MONTHS	INSPECT MOTOR COUPLING TO ROTATING TUBE CONNECTION AND ROTATING TUBE TO IDLER BEARING CONNECTION. IF COMING LOSE TIGHTEN THEM	
EVERY 12 MONTHS	INSPECT THE GLASS CLAMP/ROTATING TUBE CONNECTION. IF THERE IS MOVEMENT IN THE GLASS CLAMP WHERE IT MEETS THE TUBE, REMOVE THE GLASS BY REMOVING THE CLAMP COVERS, TIGHTEN THE BOLT THAT FASTENS THE GLASS CLAMP TO THE TUBE AND REINSTALL THE GLASS AND CLAMP COVERS	
EVERY 12 MONTHS	INSPECT THE POWER SUPPLY BOX FOR DUST AND DEBRIS, IF THERE IS DUST AND DEBRIS IN THE POWER SUPPLY BOX CLEAN THOROUGHLY	
EVERY 12 MONTHS	INSPECT INDICATOR LIGHTS AND DIRECTIONAL LIGHTS ARE FUNCTIONING PROPERLY	
PRIOR TO 18 MONTHS AFTER INSTALL	REACH OUT TO MANUFACTURER WITH ANY CONCERNS YOU MAY HAVE AND SEE IF THEY ARE COVERED UNDER WARRANTY	

**OUTLAW INDUSTRIES**  
3475 S. CALHAN HWY  
CALHAN, CO 80808  
SALES@OUTLAWINDUSTRIES.CO

JESSE JAMES: 719-427-2233  
JESSE JAMES JR: 719-427-2241  
SHOP: 1-800-590-0464