

4

3

2

1

D

D

C

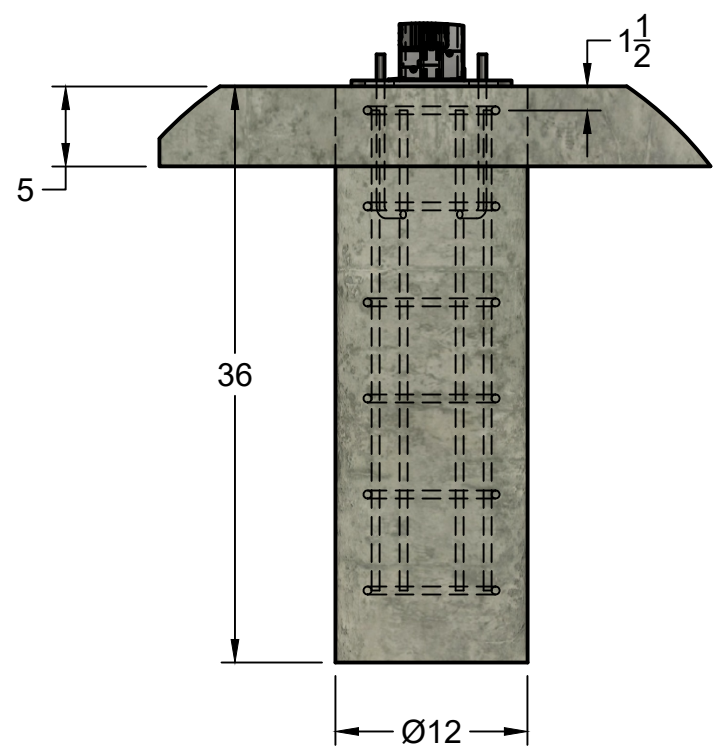
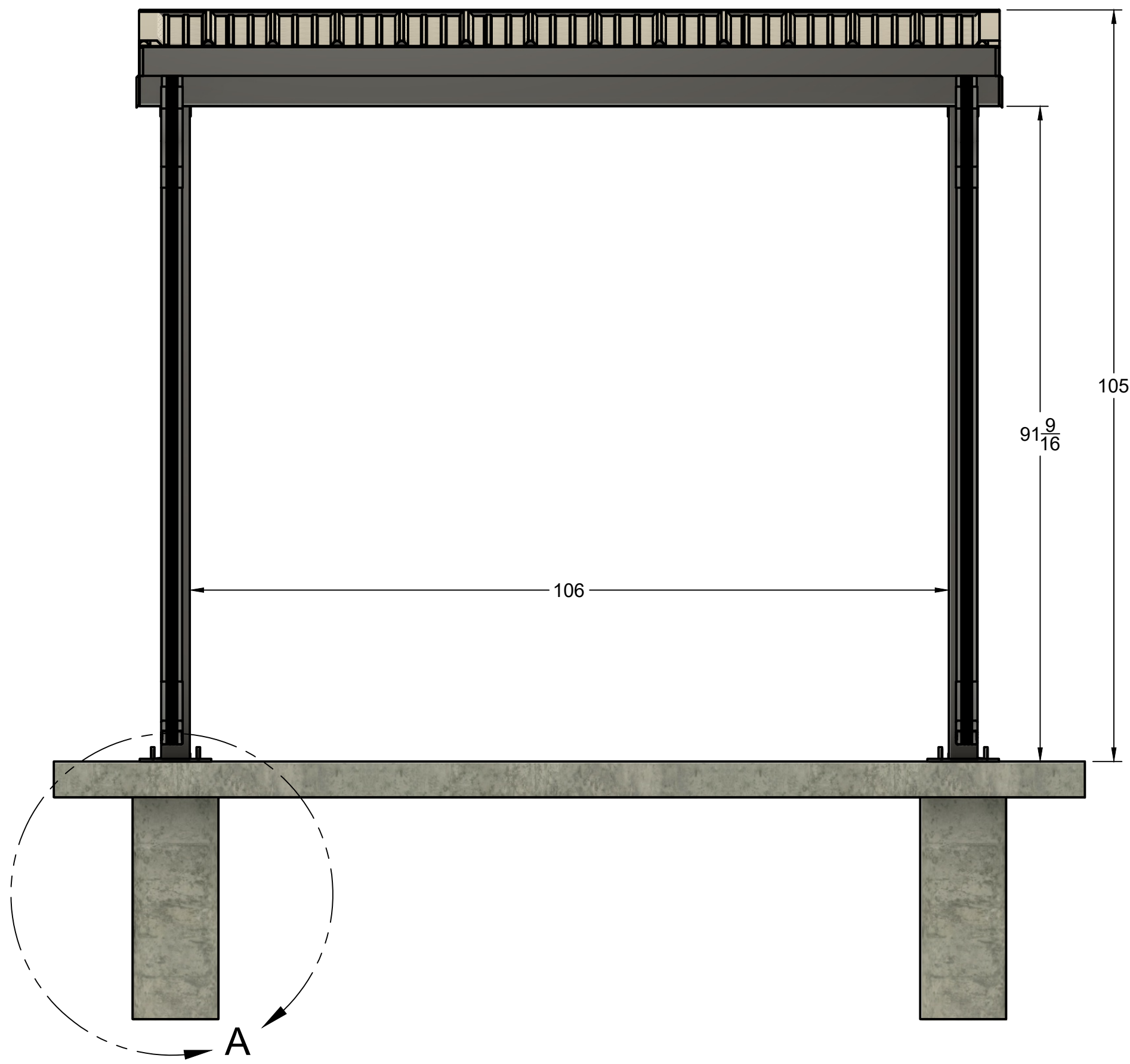
C

B

B

A

A



DETAIL A
SCALE 1" = 1'-0"

- * This document is protected by the Copyright Laws of the United States Copyrights Office.
- * This document is not to be distributed without the written permission of Outlaw Industries "LLC".
- * This design is subject to change at anytime without notice.
- * Field measurement may vary



APPROVED	SIZE	CODE	DWG NO	REV
CHECKED	C			
DRAWN Jesse Moses 1/8/2025	SCALE 1:16	WEIGHT	SHEET 1/4	

PROJECT
Canopies

TITLE
10X10 BASIC CANOPY WITH STORE FRONT FRONT VIEW

4

3

2

1

A

A

4

3

2

1

D

D

C

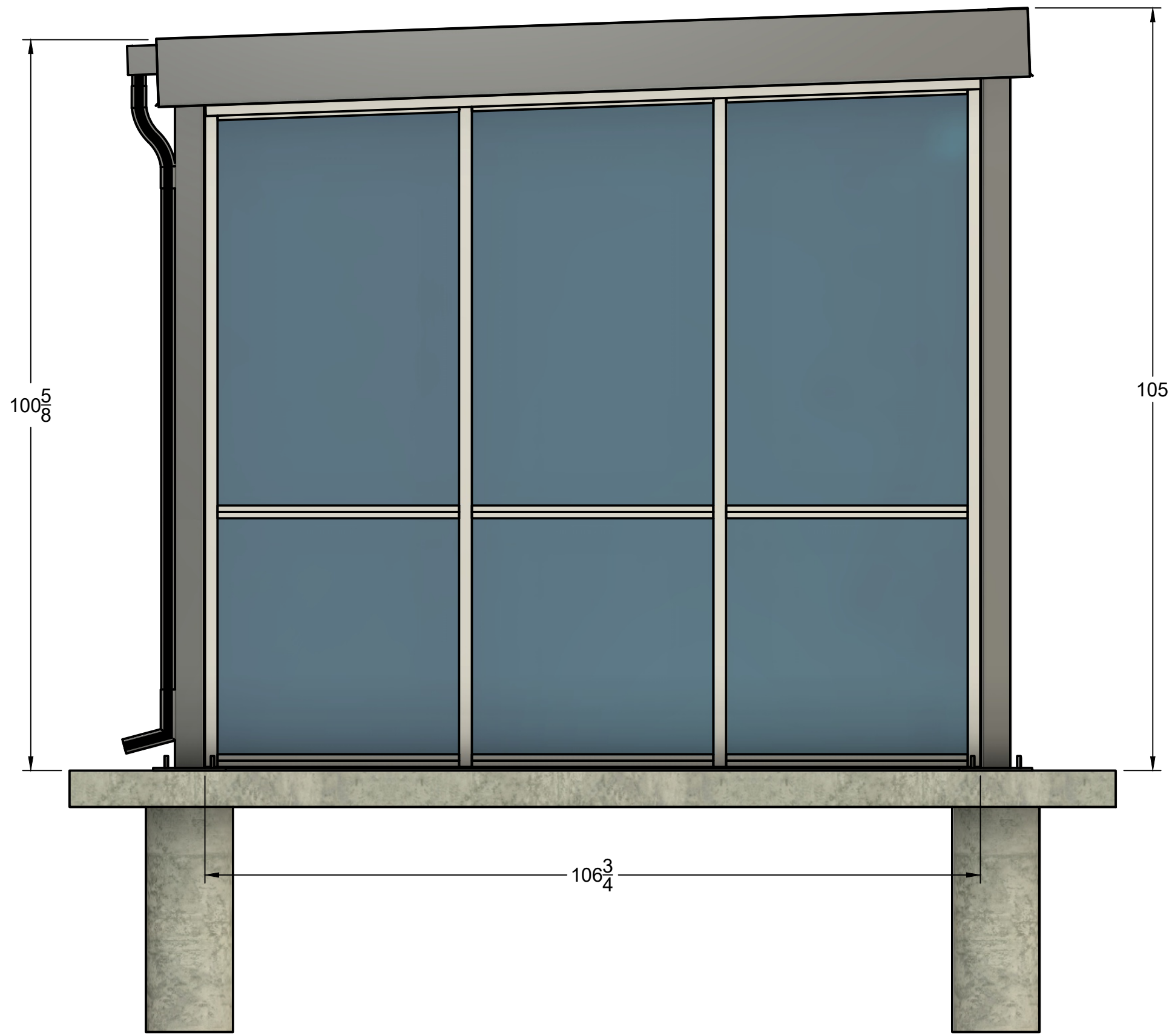
C

B

B

A

A



* This document is protected by the Copyright Laws of the United States Copyrights Office.
 * This document is not to be distributed without the written permission of Outlaw Industries "LLC".
 * This design is subject to change at anytime without notice.
 * Field measurement may vary



APPROVED	SIZE	CODE	DWG NO	REV
CHECKED	C			
DRAWN Jesse Moses 1/8/2025	SCALE 1:16	WEIGHT	SHEET 2/4	

PROJECT
Canopies

TITLE
10X10 BASIC CANOPY WITH STORE FRONT SIDE VIEW

APPROVED	SIZE	CODE	DWG NO	REV
CHECKED	C			
DRAWN Jesse Moses 1/8/2025	SCALE 1:16	WEIGHT	SHEET 2/4	

4

3

2

1



4

3

2

1

D

D

C

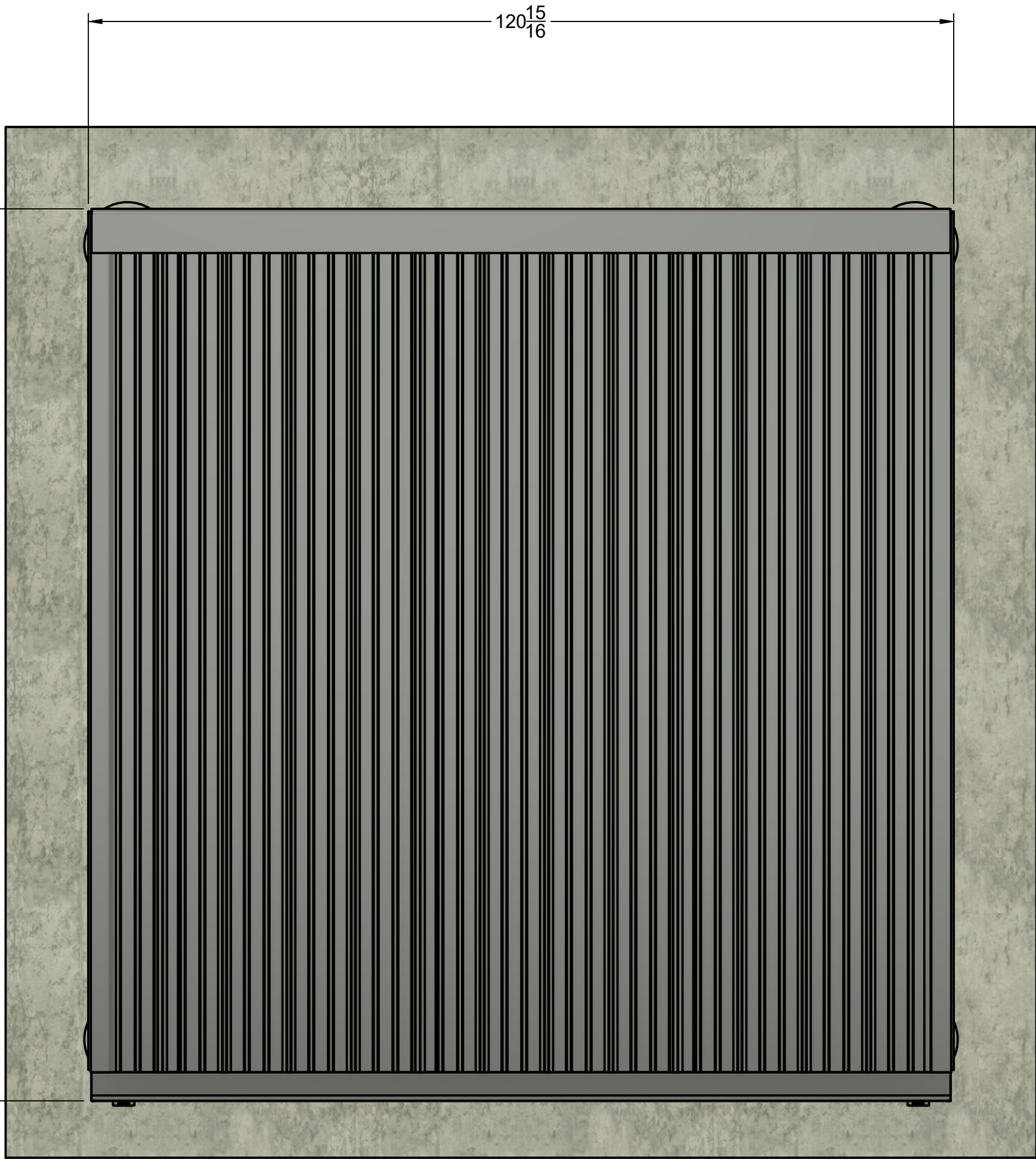
C

B

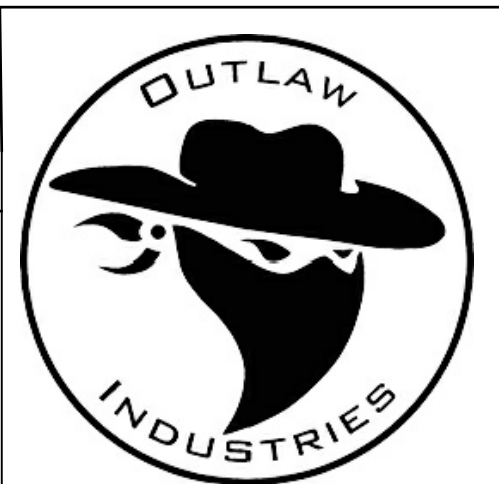
B

A

A



- * This document is protected by the Copyright Laws of the United States Copyrights Office.
- * This document is not to be distributed without the written permission of Outlaw Industries "LLC".
- * This design is subject to change at anytime without notice.
- * Field measurement may vary



APPROVED	SIZE	CODE	DWG NO	REV
CHECKED	C			
DRAWN Jesse Moses 1/8/2025	SCALE 1:16	WEIGHT	SHEET 3/4	

PROJECT
Canopies
 TITLE
**10X10 BASIC CANOPY WITH STORE FRONT
 TOP VIEW**

4

3

2

1

↑

4

3

2

1

D

D

C

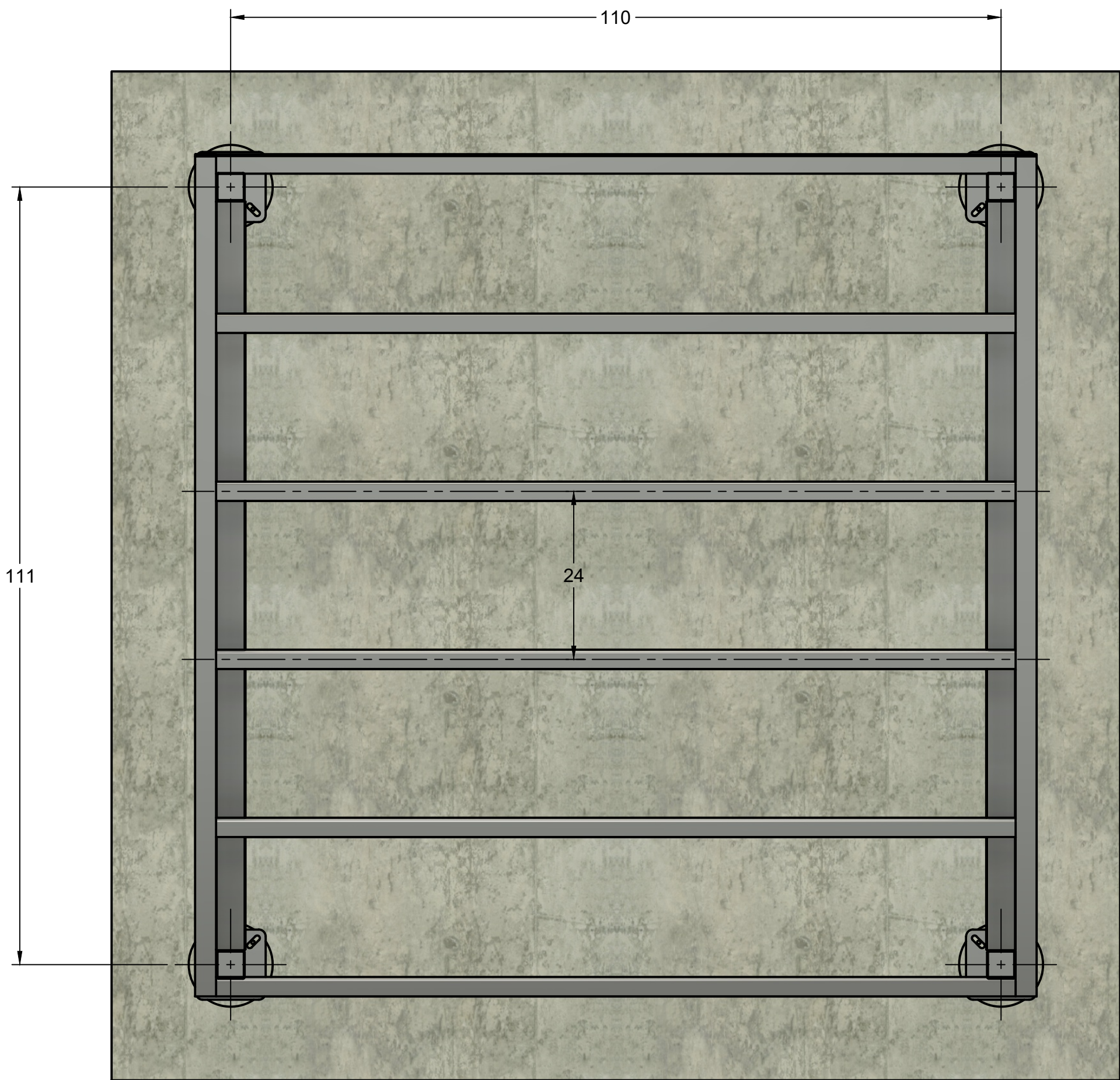
C

B

B

A

A



- * This document is protected by the Copyright Laws of the United States Copyrights Office.
- * This document is not to be distributed without the written permission of Outlaw Industries "LLC".
- * This design is subject to change at anytime without notice.
- * Field measurement may vary



APPROVED	
CHECKED	
DRAWN	Jesse Moses 1/8/2025

PROJECT			
Canopies			
TITLE			
10X10 BASIC CANOPY WITH STORE FRONT COLUMN AND PURLIN DET			
SIZE	CODE	DWG NO	REV
C			
SCALE 1:16	WEIGHT	SHEET 4/4	

4

3

2

1

