

4

3

2

1

D

D

C

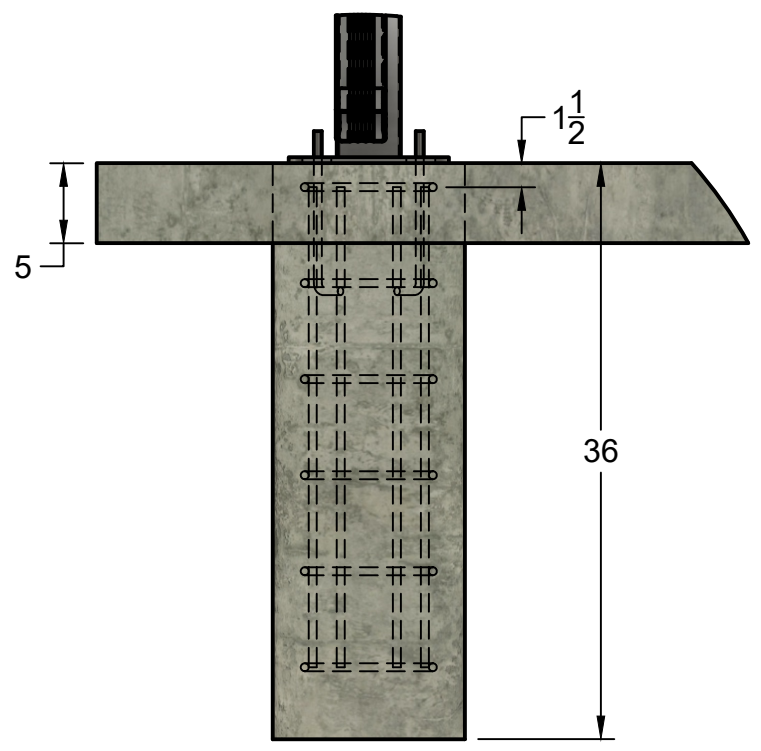
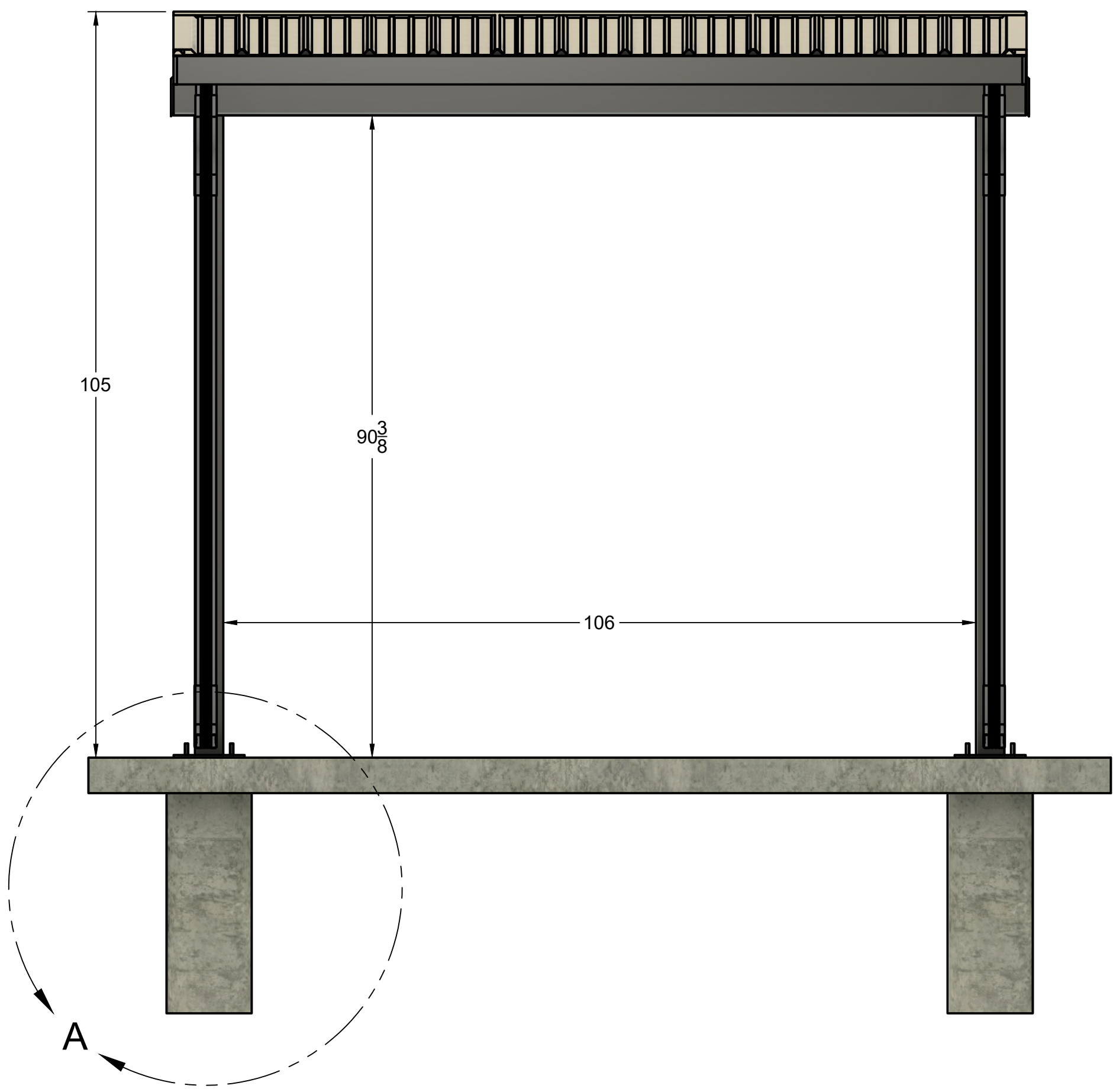
C

B

B

A

A



DETAIL A
SCALE 1" = 1'-0"

* This document is protected by the Copyright Laws of the United States Copyrights Office.
 * This document is not to be distributed without the written permission of Outlaw Industries "LLC".
 * This design is subject to change at anytime without notice.
 * Field measurement may vary



APPROVED	SIZE	CODE	DWG NO	REV
CHECKED	C			
DRAWN Jesse Moses 1/3/2025	SCALE 1:16	WEIGHT	SHEET 1/4	

PROJECT
Canopies
 TITLE
4 POST PEAKED ROOF 10X10 CANOPY FRONT VIEW

4

3

2

1

4

3

2

1

D

D

C

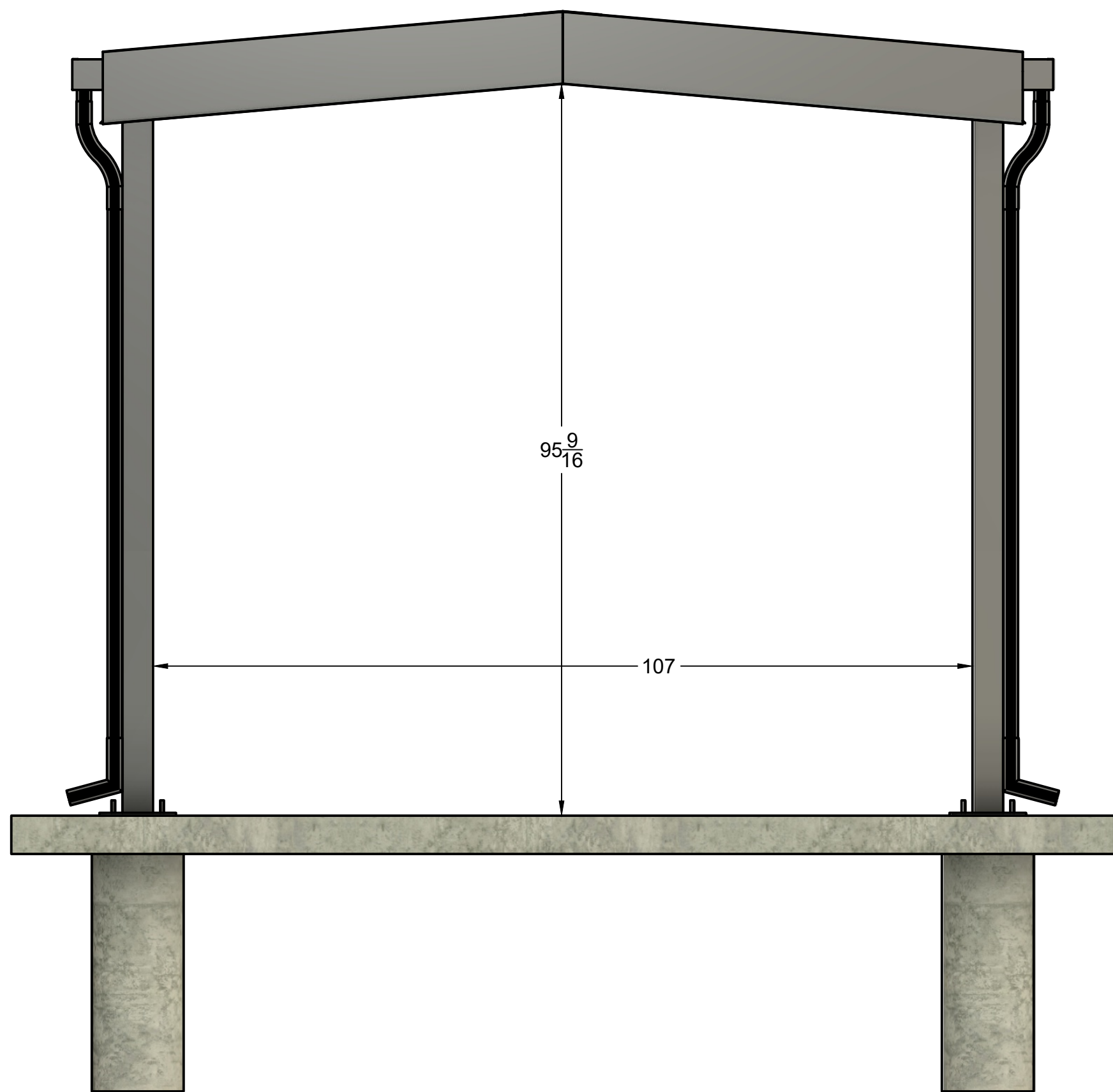
C

B

B

A

A



* This document is protected by the Copyright Laws of the United States Copyrights Office.
 * This document is not to be distributed without the written permission of Outlaw Industries "LLC".
 * This design is subject to change at anytime without notice.
 * Field measurement may vary



APPROVED	SIZE	CODE	DWG NO	REV
CHECKED	C			
DRAWN Jesse Moses 1/3/2025	SCALE 1:16	WEIGHT	SHEET 2/4	

PROJECT				
Canopies				
TITLE				
4 POST PEAKED ROOF 10X10 CANOPY SIDE VIEW				
SIZE	CODE	DWG NO	REV	
C				
SCALE 1:16		WEIGHT	SHEET 2/4	

4

3

2

1



4

3

2

1

D

D

C

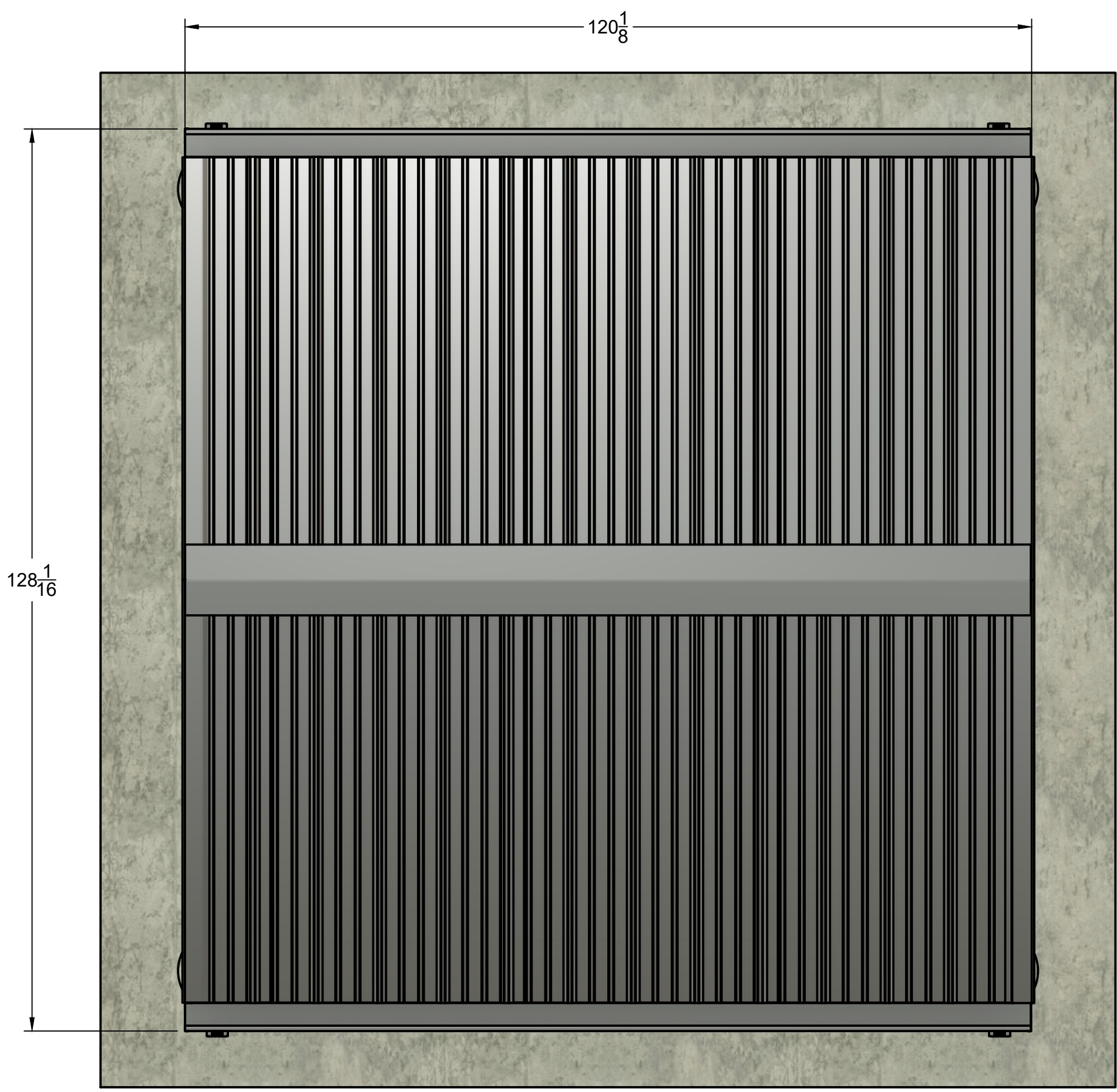
C

B

B

A

A



* This document is protected by the Copyright Laws of the United States Copyrights Office.
 * This document is not to be distributed without the written permission of Outlaw Industries "LLC".
 * This design is subject to change at anytime without notice.
 * Field measurement may vary



APPROVED	SIZE	CODE	DWG NO	REV
CHECKED	C			
DRAWN Jesse Moses 1/3/2025	SCALE 1:16	WEIGHT	SHEET 3/4	

PROJECT
Canopies
 TITLE
4 POST PEAKED ROOF 10X10 CANOPY TOP VIEW

4

3

2

1



4

3

2

1

D

D

C

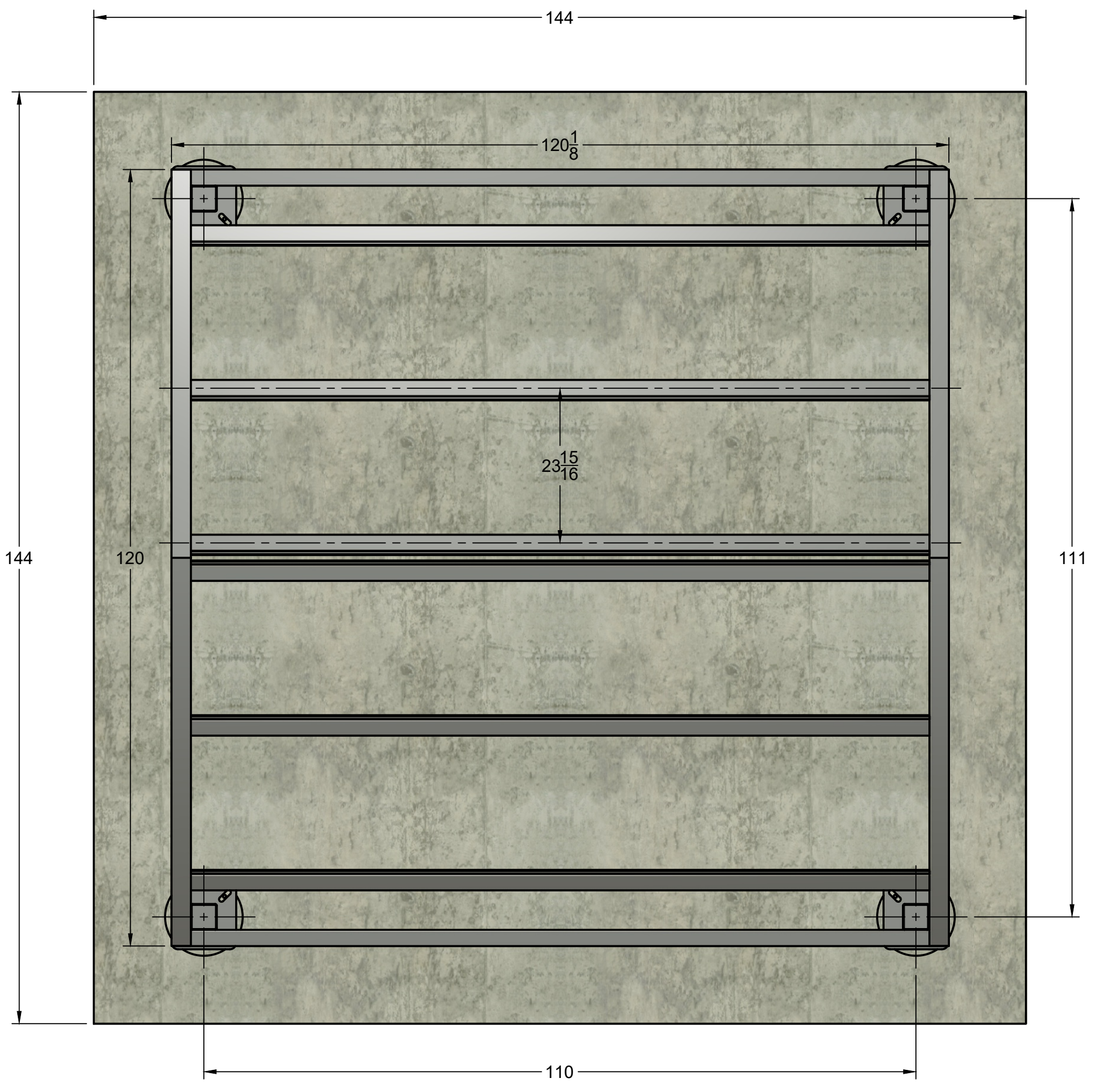
C

B

B

A

A



* This document is protected by the Copyright Laws of the United States Copyrights Office.
 * This document is not to be distributed without the written permission of Outlaw Industries "LLC".
 * This design is subject to change at anytime without notice.
 * Field measurement may vary



APPROVED	SIZE	CODE	DWG NO	REV
CHECKED	C			
DRAWN Jesse Moses 1/3/2025	SCALE 1:16	WEIGHT	SHEET 4/4	

PROJECT
Canopies
 TITLE
4 POST PEAKED ROOF 10X10 CANOPY PURLIN AND COLUMN DET

4

3

2

1

A

A