

4

3

2

1

D

D

C

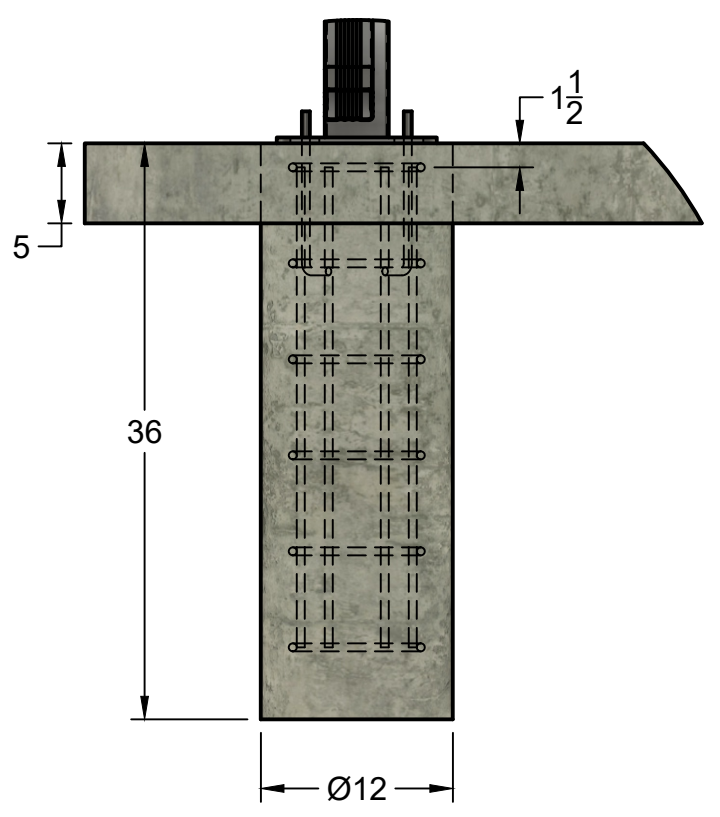
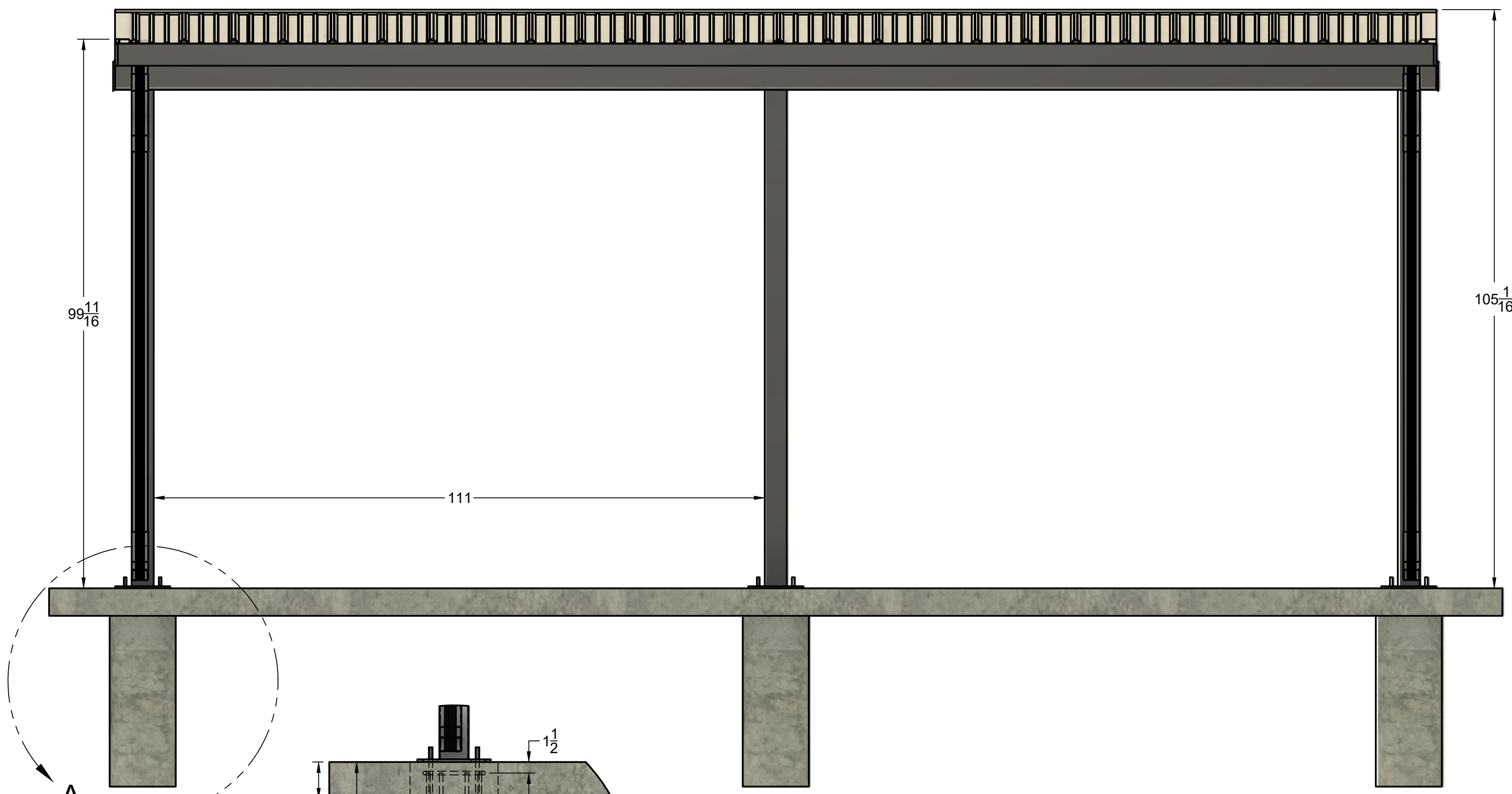
C

B

B

A

A



DETAIL A
SCALE 1" = 1'-0"

- * This document is protected by the Copyright Laws of the United States Copyrights Office.
- * This document is not to be distributed without the written permission of Outlaw Industries "LLC".
- * This design is subject to change at anytime without notice.
- * Field measurement may vary



APPROVED	SIZE	CODE	DWG NO	REV
CHECKED	C			
DRAWN Jesse Moses 1/6/2025	SCALE 1:50	WEIGHT	SHEET 1/4	

PROJECT
Canopies

TITLE
6 POST PEAKED ROOF 10X20 BASIC CANOPY MODEL FRONT VIEW

4

3

2

1

4

3

2

1

D

D

C

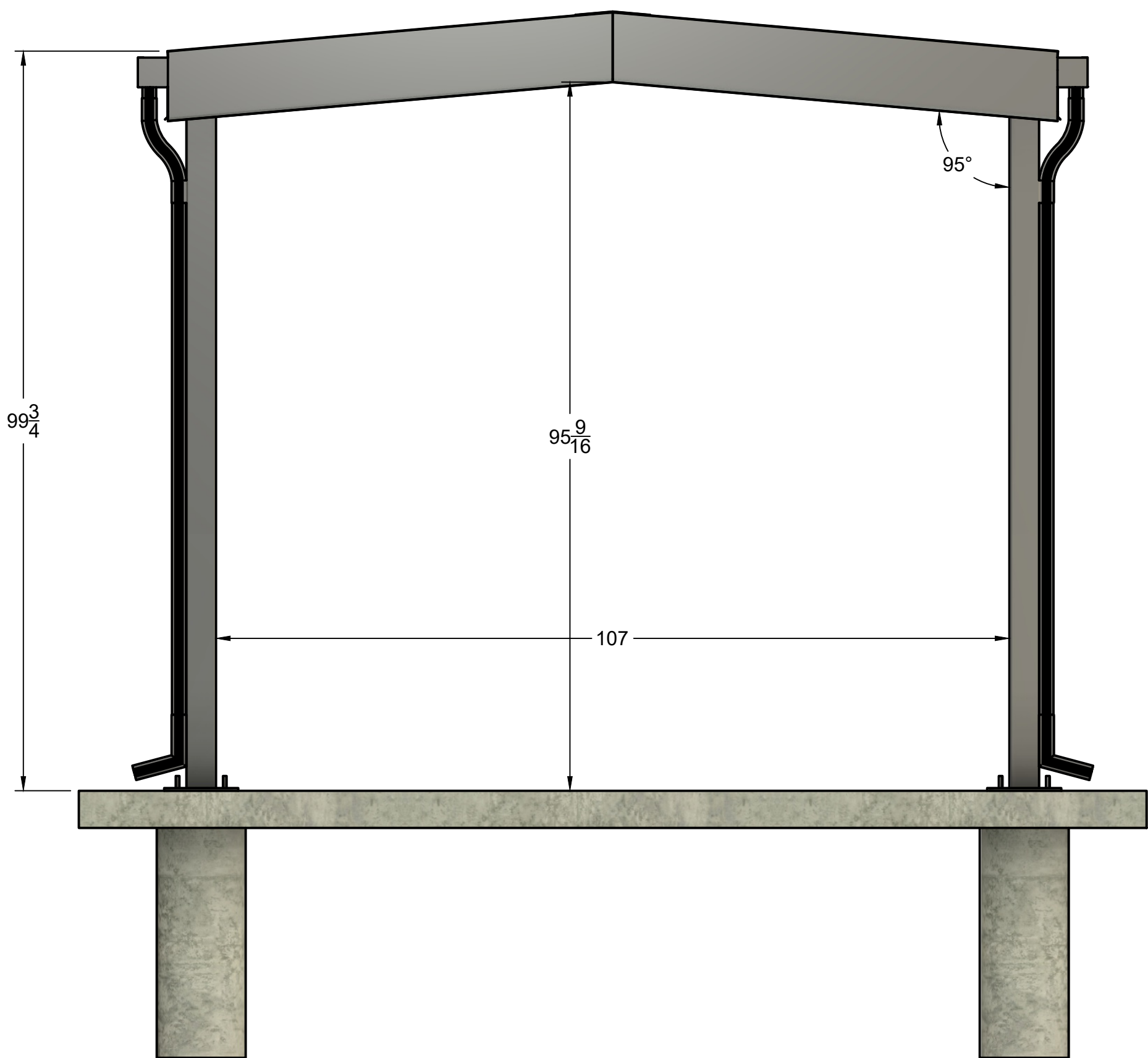
C

B

B

A

A



* This document is protected by the Copyright Laws of the United States Copyrights Office.
 * This document is not to be distributed without the written permission of Outlaw Industries "LLC".
 * This design is subject to change at anytime without notice.
 * Field measurement may vary



APPROVED	SIZE	CODE	DWG NO	REV
CHECKED	C			
DRAWN Jesse Moses 1/6/2025	SCALE 1:16	WEIGHT	SHEET 2/4	

PROJECT				
Canopies				
TITLE				
6 POST PEAKED ROOF 10X20 BASIC CANOPY MODEL SIDE VIEW				
SIZE	CODE	DWG NO	REV	
C				
SCALE 1:16		WEIGHT	SHEET 2/4	

4

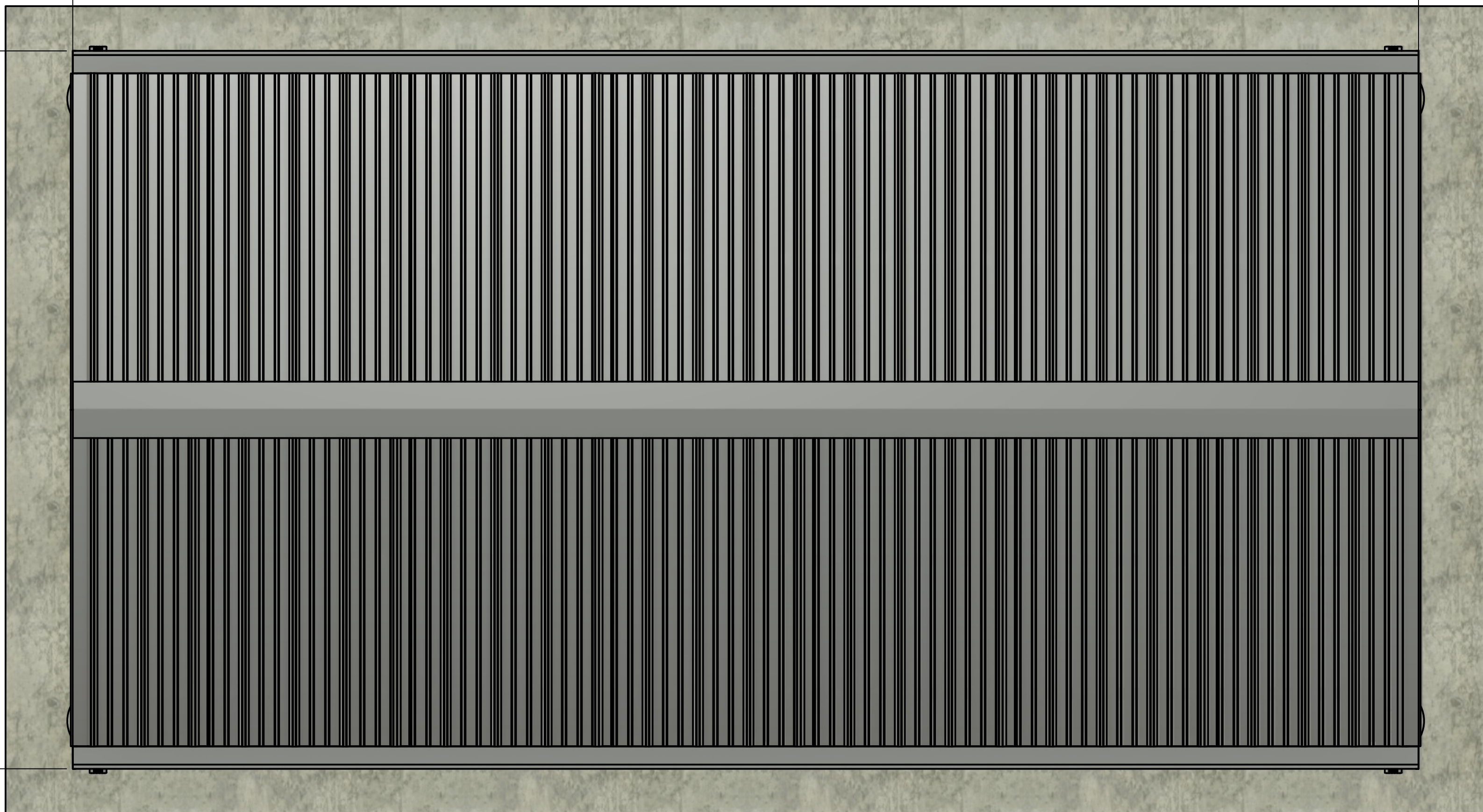
3

2

1

240¹/₁₆

128¹/₁₆



- * This document is protected by the Copyright Laws of the United States Copyrights Office.
- * This document is not to be distributed without the written permission of Outlaw Industries "LLC".
- * This design is subject to change at anytime without notice.
- * Field measurement may vary



PROJECT
Canopies
 TITLE
6 POST PEAKED ROOF 10X20 BASIC CANOPY MODEL
TOP VIEW

APPROVED	SIZE	CODE	DWG NO	REV
CHECKED	C			
DRAWN Jesse Moses 1/6/2025	SCALE 1:16	WEIGHT	SHEET 3/4	

4

3

2

1

↑

D

D

C

C

B

B

A

A

4

3

2

1

D

D

C

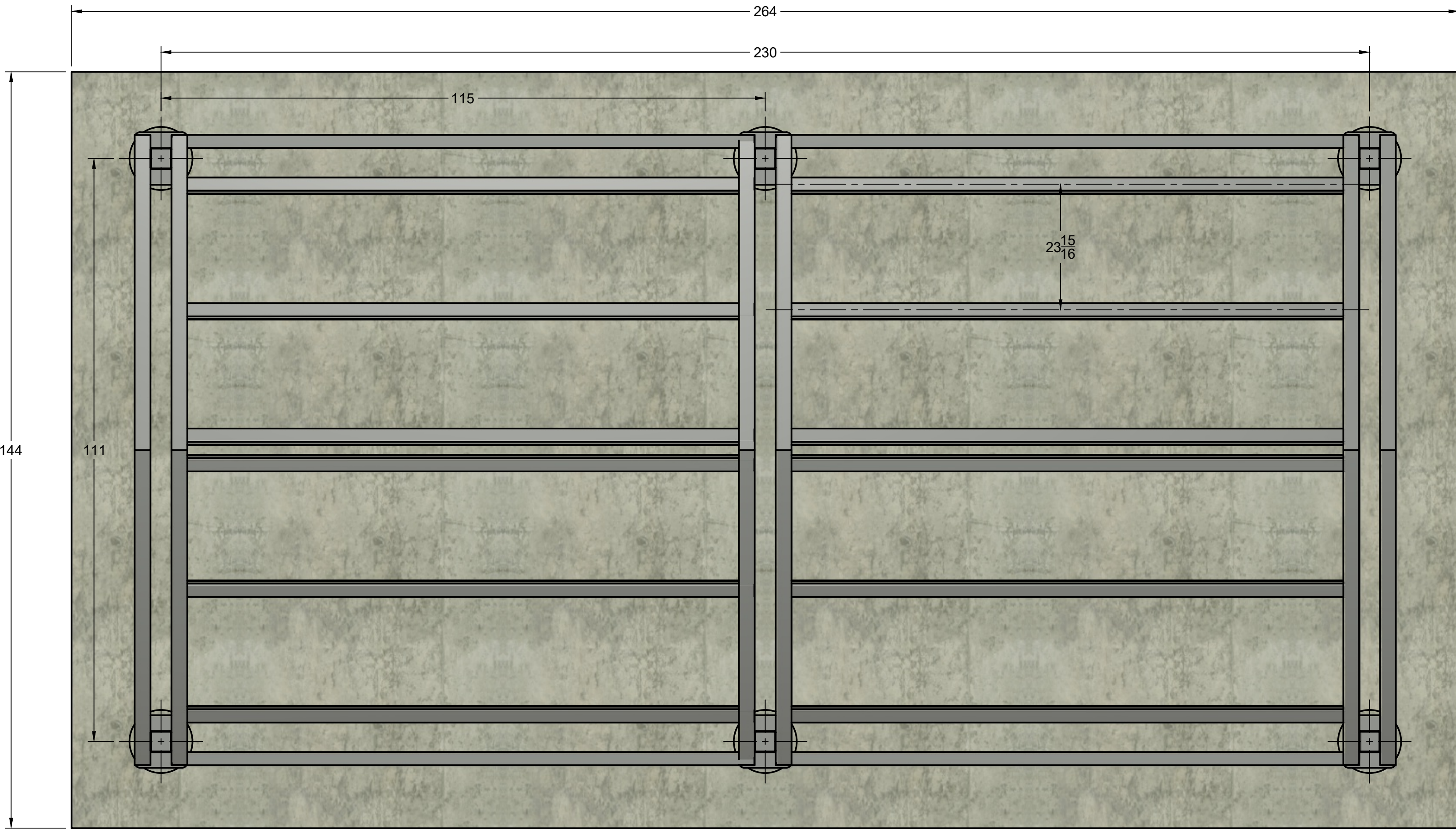
C

B

B

A

A



* This document is protected by the Copyright Laws of the United States Copyrights Office.
 * This document is not to be distributed without the written permission of Outlaw Industries "LLC".
 * This design is subject to change at anytime without notice.
 * Field measurement may vary



APPROVED	SIZE	CODE	DWG NO	REV
CHECKED	C			
DRAWN Jesse Moses 1/6/2025	SCALE 1:16	WEIGHT	SHEET 4/4	

PROJECT
Canopies
 TITLE
**6 POST PEAKED ROOF 10X20 BASIC CANOPY MODEL
 POST AND PURLIN DET**

4

3

2

1

