

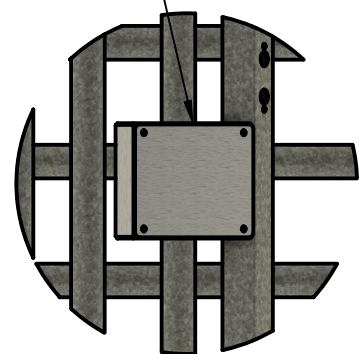
4

3

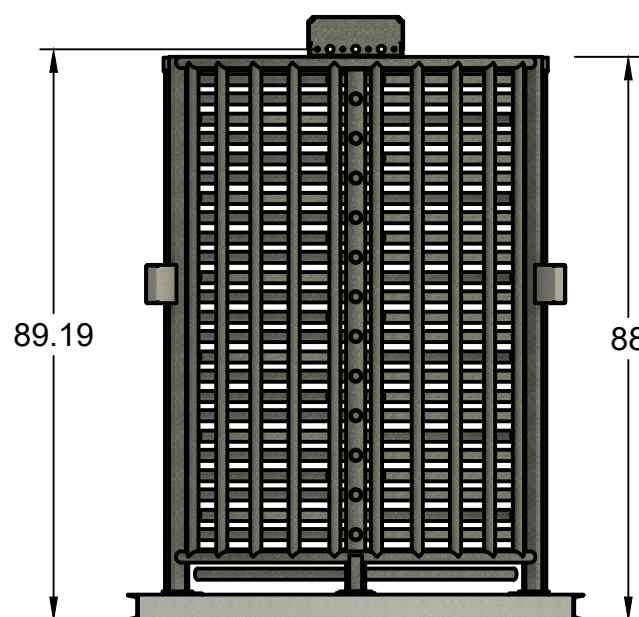
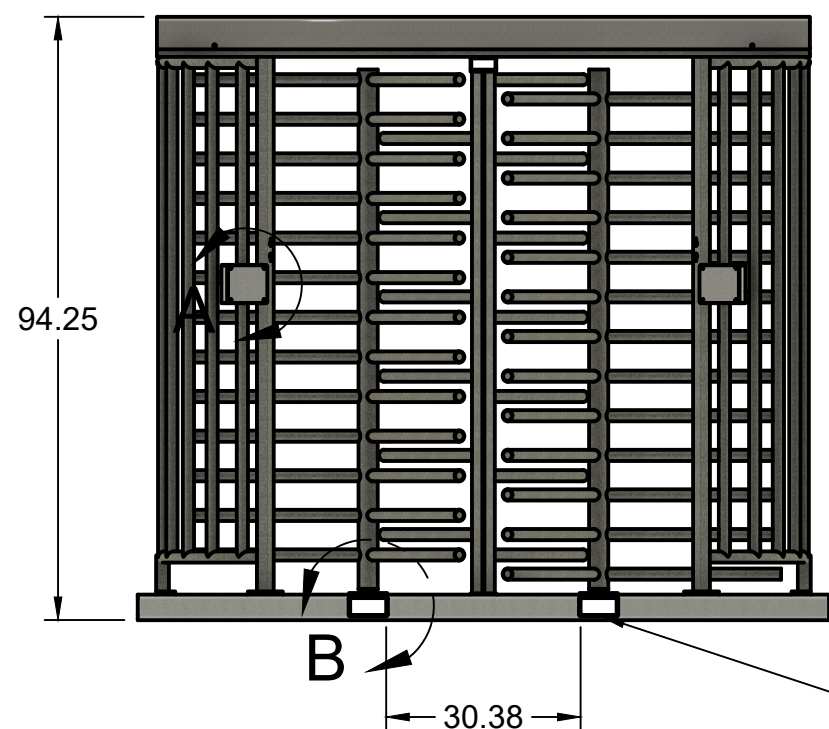
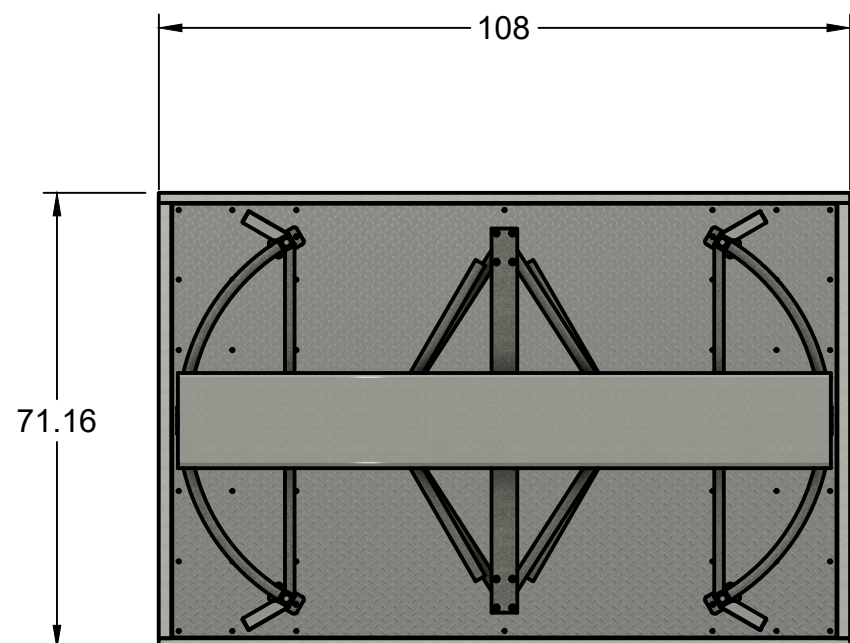
2

1

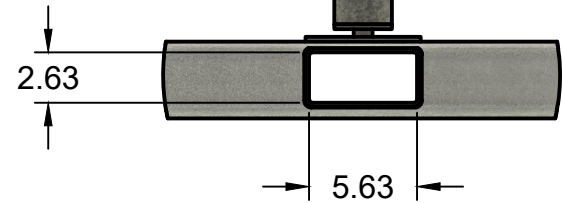
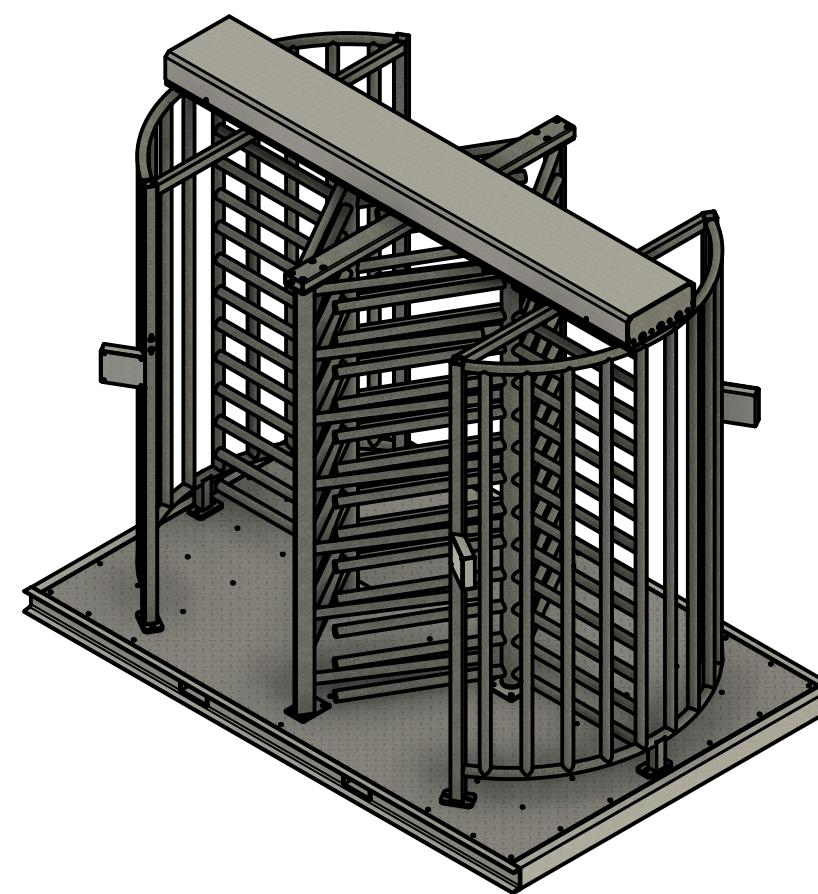
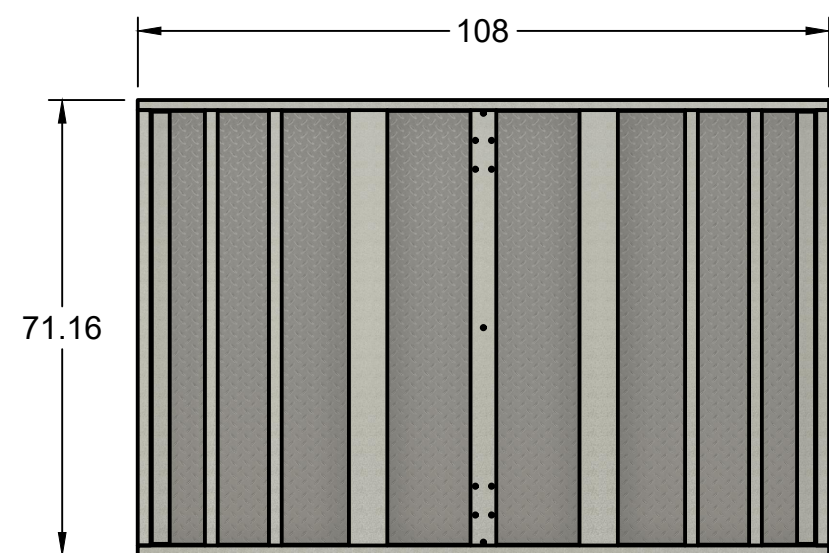
CARD READER MOUNTING PLATE



DETAIL A
SCALE 1:10



FORKLIFT POCKETS



DETAIL B
SCALE 1:10

- * This document is protected by the Copyright Laws of the United States Copyrights Office.
- * This document is not to be distributed without the written permission of Outlaw Industries "LLC".
- * This design is subject to change at anytime without notice.
- * Field measurement may vary



APPROVED	SIZE	CODE	DWG NO	REV
CHECKED	C			
DRAWN Jesse Moses 4/20/2023	SCALE 1:20	WEIGHT	SHEET 1/1	

PROJECT
PORTABLE TURNSTILES

TITLE
AG-30-TT ON 72-108-PB

4

3

2

1

A