

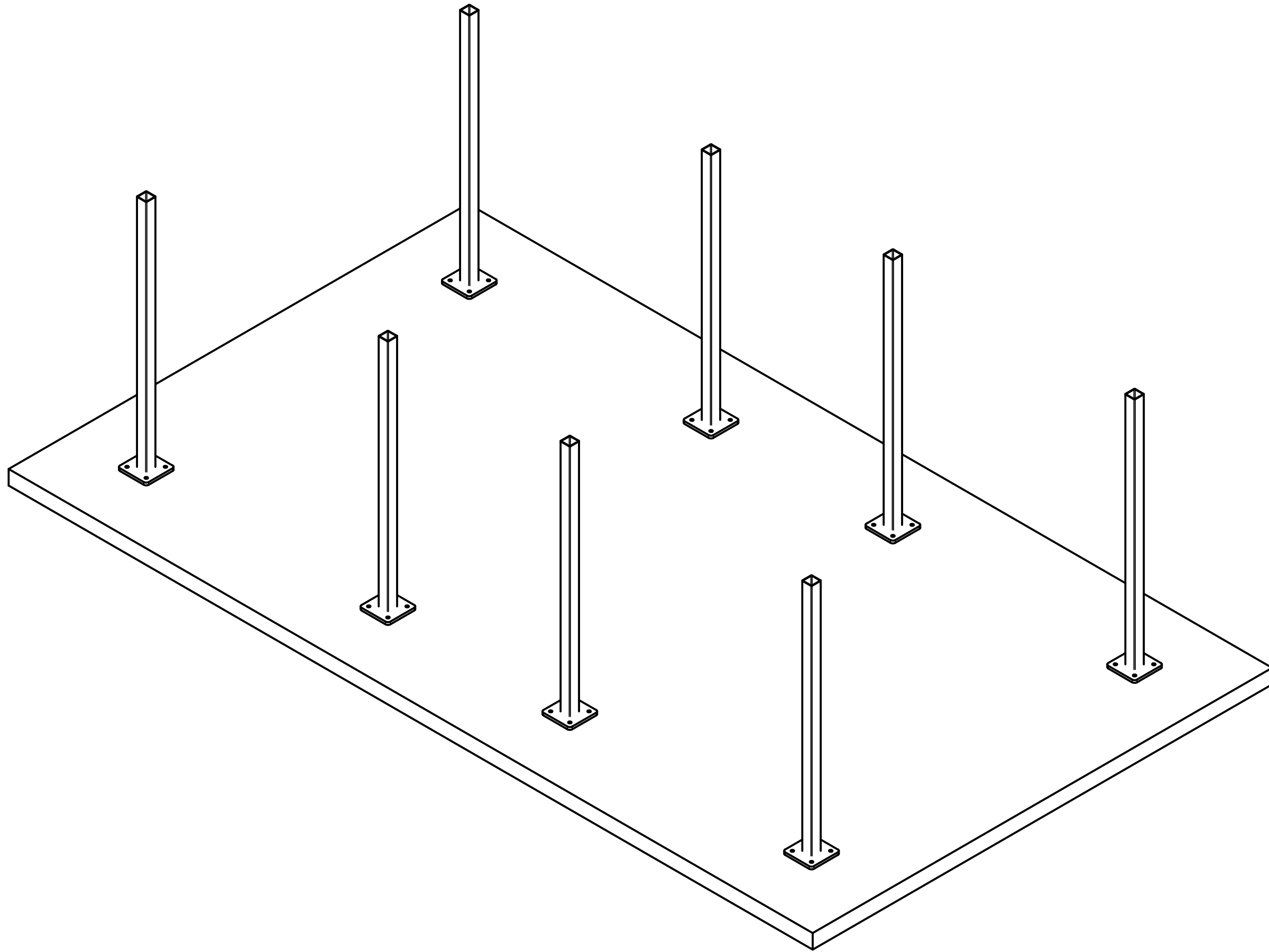
4

3

2

1

1. INSTALL POSTS IN RELATION TO ROOF GRID DIMENSIONS AND ACCORDING TO SIGNED DRAWINGS.



* This document is protected by the Copyright Laws of the United States Copyrights Office.
 * This document is not to be distributed without the written permission of Outlaw Industries "LLC".
 * This design is subject to change at anytime without notice.
 * Field measurement may vary



PROJECT				
Canopies				
TITLE				
PEAKED CANOPY MODEL INSTALLATION GUIDE				
APPROVED	SIZE	CODE	DWG NO	REV
CHECKED	C			
DRAWN Jesse Moses 1/8/2024	SCALE 1:30	WEIGHT	SHEET 1/6	

4

3

2

1

A

A

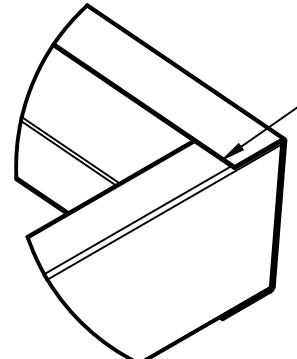
4

3

2

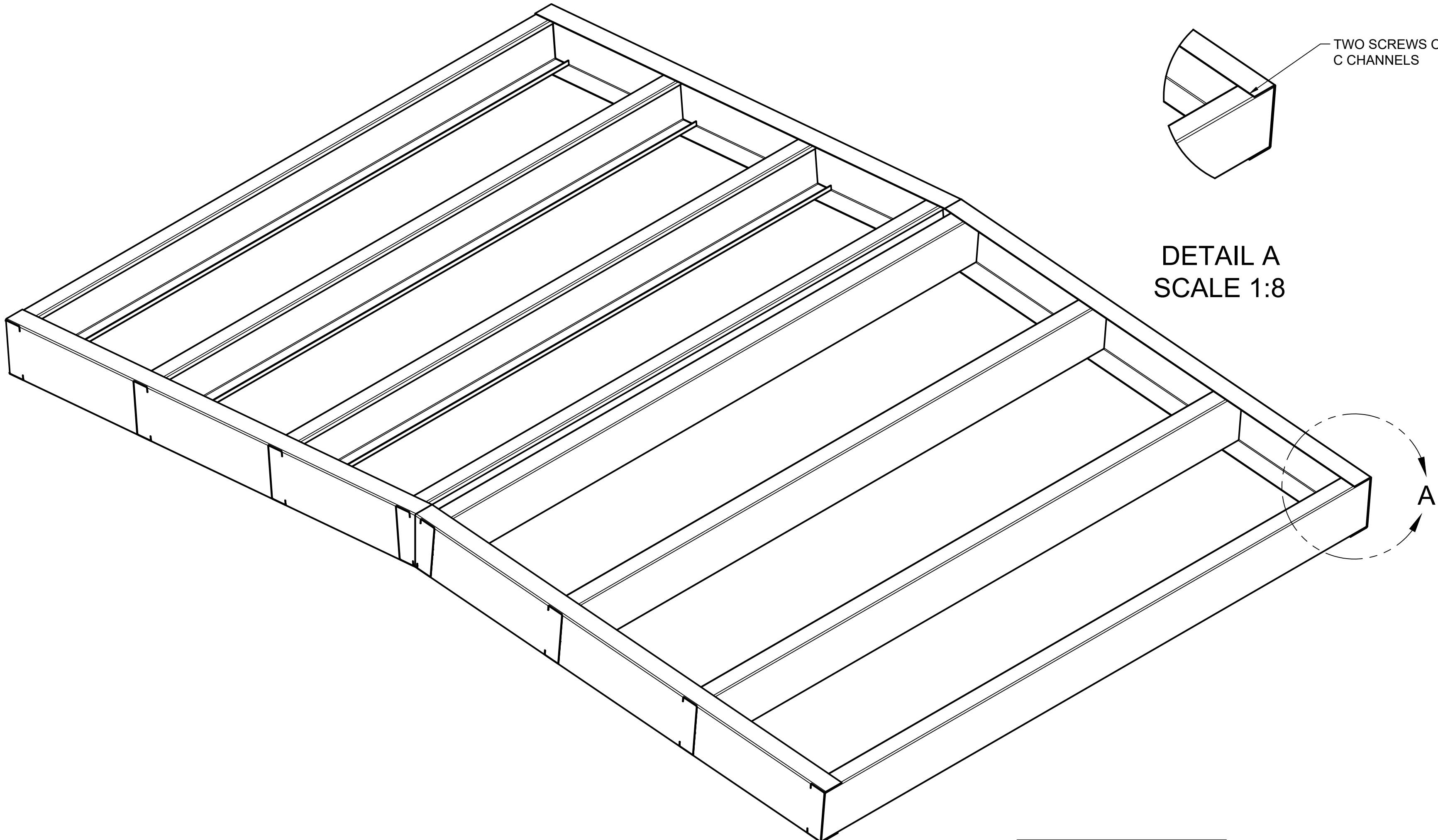
1

2. ASSEMBLE ROOF GRID WITH PROVIDED SELF TAPPING FRAMING SCREWS. SPACE C CHANNELS EVENLY.



TWO SCREWS ON TOP AND BOTTOM OF ALL C CHANNELS

DETAIL A
SCALE 1:8



D

D

C

C

B

B

A

A

- * This document is protected by the Copyright Laws of the United States Copyrights Office.
- * This document is not to be distributed without the written permission of Outlaw Industries "LLC".
- * This design is subject to change at anytime without notice.
- * Field measurement may vary



PROJECT				
Canopies				
TITLE				
PEAKED CANOPY MODEL INSTALLATION GUIDE				
APPROVED	SIZE	CODE	DWG NO	REV
CHECKED	C			
DRAWN Jesse Moses 1/8/2024	SCALE 1:50	WEIGHT	SHEET 2/6	

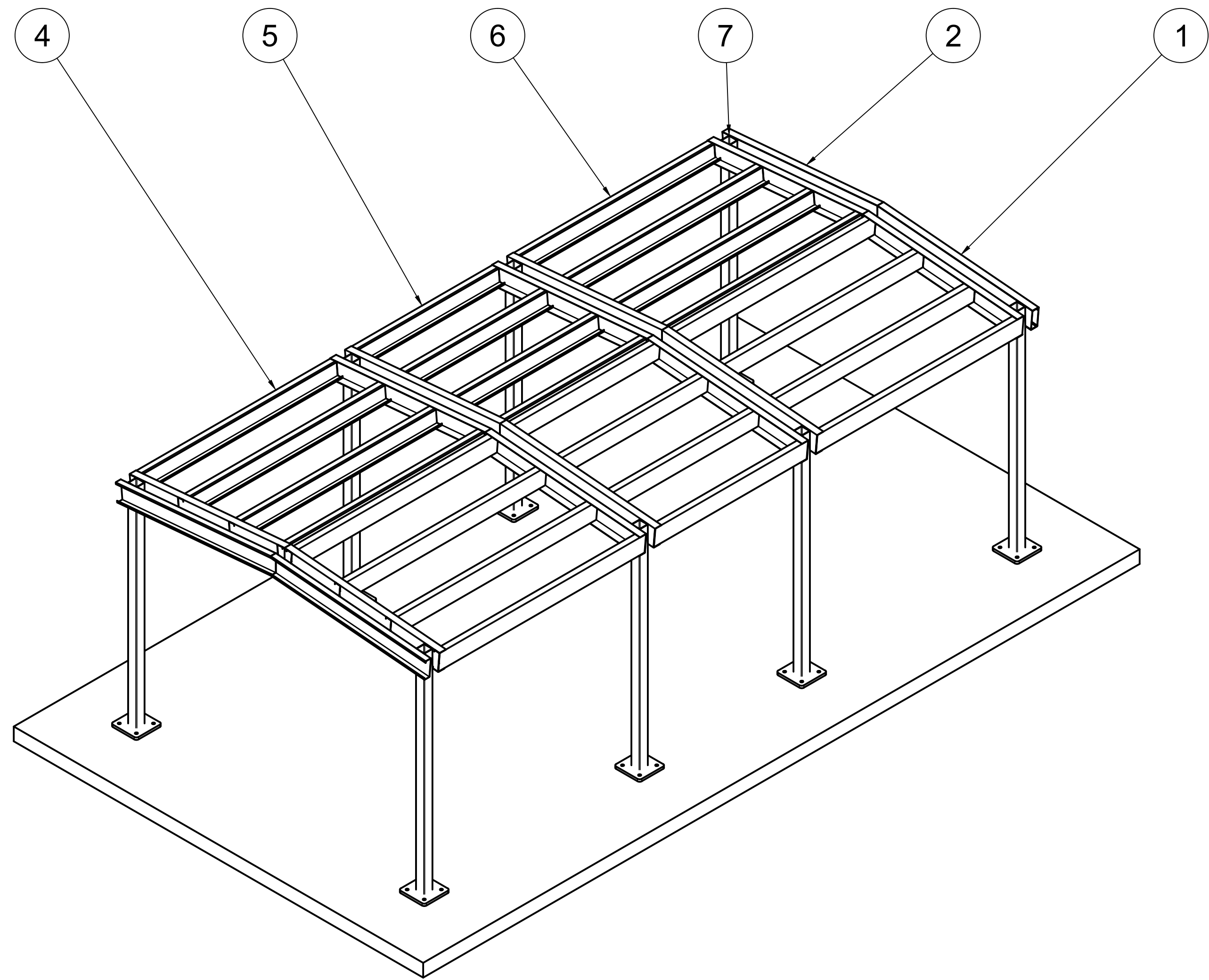
4

3

2

1

PARTS LIST	
ITEM	PART NUMBER
1	END TRUSS
2	END TRUSS (1)
4	ROOF GRID 1
5	ROOF GRID 2
6	ROOF GRID 3
7	POSTS



3. INSTALL ROOF GRIDS BETWEEN POSTS. FASTEN TO POSTS WITH SELF TAPPERS OR $\frac{1}{2}$ " THROUGH BOLTS. IF SELF TAPPERS ARE USED, PUT 8 SELF TAPPERS EVENLY SPACED FROM RECIEVER INTO EACH POST. IF $\frac{1}{2}$ " THROUGH BOLTS ARE USED, USE 2 - $\frac{1}{2}$ " THROUGH BOLTS THROUGH THE POSTS AND THROUGH THE ADJACENT ROOF GRID. IF $\frac{1}{2}$ " BOLTS AND SELF TAPPERS ARE USED, USE 1 $\frac{1}{2}$ " BOLT AND 4 SELF TAPPERS.

FASTEN END TRUSSES TO THE OUTSIDE OF THE POSTS ON THE SAME PLANE AS ROOF GRIDS. USE PROVIDED SELF TAPPERS

* This document is protected by the Copyright Laws of the United States Copyrights Office.
 * This document is not to be distributed without the written permission of Outlaw Industries "LLC".
 * This design is subject to change at anytime without notice.
 * Field measurement may vary



APPROVED	SIZE	CODE	DWG NO	REV
CHECKED	C			
DRAWN Jesse Moses 1/8/2024	SCALE 1:50	WEIGHT	SHEET 3/6	

PROJECT
Canopies
 TITLE
**PEAKED CANOPY MODEL
 INSTALLATION GUIDE**

4

3

2

1

4

5

6

7

2

1

4

3

2

1

D

D

C

C

B

B

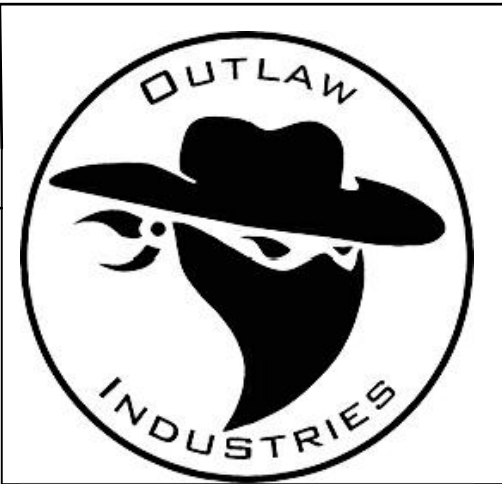
A

A

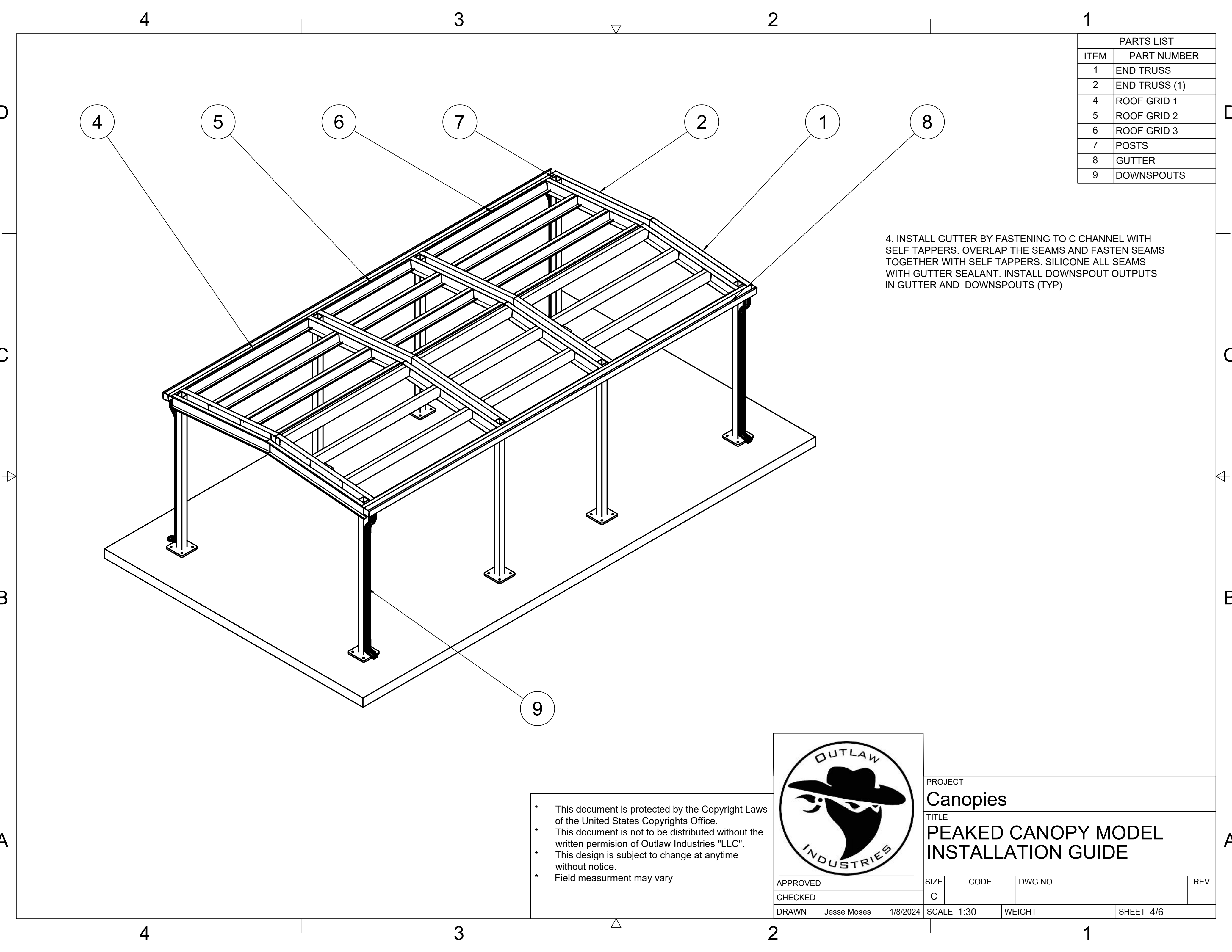
PARTS LIST	
ITEM	PART NUMBER
1	END TRUSS
2	END TRUSS (1)
4	ROOF GRID 1
5	ROOF GRID 2
6	ROOF GRID 3
7	POSTS
8	GUTTER
9	DOWNSPOUTS

4. INSTALL GUTTER BY FASTENING TO C CHANNEL WITH SELF TAPPERS. OVERLAP THE SEAMS AND FASTEN SEAMS TOGETHER WITH SELF TAPPERS. SILICONE ALL SEAMS WITH GUTTER SEALANT. INSTALL DOWNSPOUT OUTPUTS IN GUTTER AND DOWNSPOUTS (TYP)

* This document is protected by the Copyright Laws of the United States Copyrights Office.
 * This document is not to be distributed without the written permission of Outlaw Industries "LLC".
 * This design is subject to change at anytime without notice.
 * Field measurement may vary



PROJECT			
Canopies			
TITLE			
PEAKED CANOPY MODEL INSTALLATION GUIDE			
APPROVED	SIZE	CODE	DWG NO
CHECKED	C		
DRAWN Jesse Moses 1/8/2024	SCALE 1:30	WEIGHT	SHEET 4/6



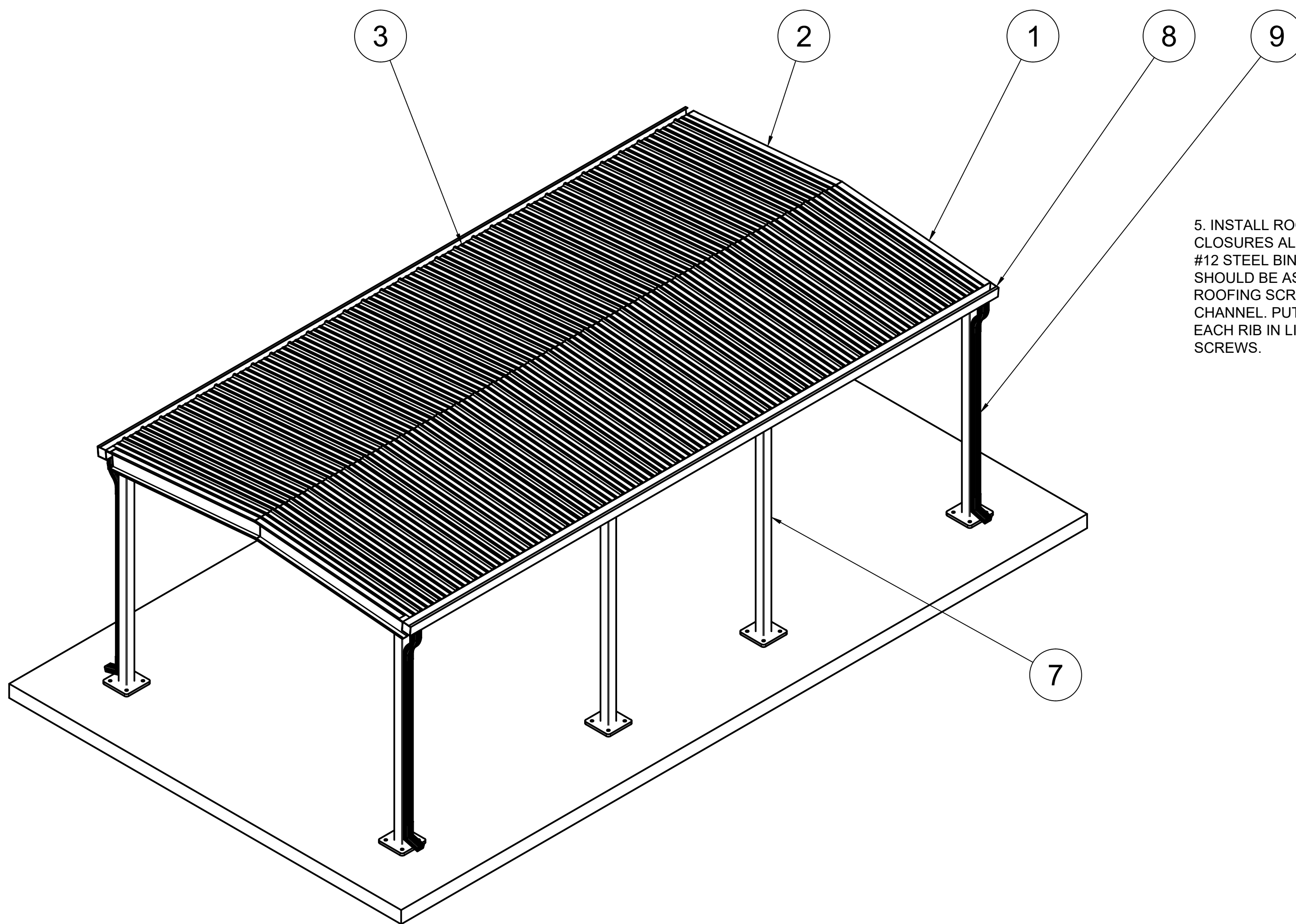
4

3

2

1

PARTS LIST	
ITEM	PART NUMBER
1	END TRUSS
2	END TRUSS (1)
3	ROOF PANELS
7	POSTS
8	GUTTER
9	DOWNSPOUTS



5. INSTALL ROOF PANELS WITH BUTYL TAPE, AND INSIDE CLOSURES ALONG LOW SIDE C CHANNEL. FASTEN WITH #12 STEEL BINDER ROOFING SCREWS. SCREW PATTERN SHOULD BE AS FOLLOWS. PUT A #12 STEEL BINDER ROOFING SCREW IN BETWEEN EACH RIB INTO THE C CHANNEL. PUT A #14 STEEL BINDER LAP SCREW ON EACH RIB IN LINE WITH #12 STEEL BINDER ROOFING SCREWS.

* This document is protected by the Copyright Laws of the United States Copyrights Office.
 * This document is not to be distributed without the written permission of Outlaw Industries "LLC".
 * This design is subject to change at anytime without notice.
 * Field measurement may vary



PROJECT			
Canopies			
TITLE			
PEAKED CANOPY MODEL INSTALLATION GUIDE			
APPROVED	SIZE	CODE	DWG NO
CHECKED	C		
DRAWN Jesse Moses 1/8/2024	SCALE 1:30	WEIGHT	SHEET 5/6

4

3

2

1

D

D

C

C

B

B

A

A

4

3

2

1

PARTS LIST	
ITEM	PART NUMBER
1	END TRUSS
2	END TRUSS (1)
3	ROOF PANELS
4	ROOF GRID 1
5	ROOF GRID 2
6	ROOF GRID 3
7	POSTS
8	GUTTER
9	DOWNSPOUTS
10	RAKE TRIM
11	COMPONENT123
12	PEAK TRIM

D

D

C

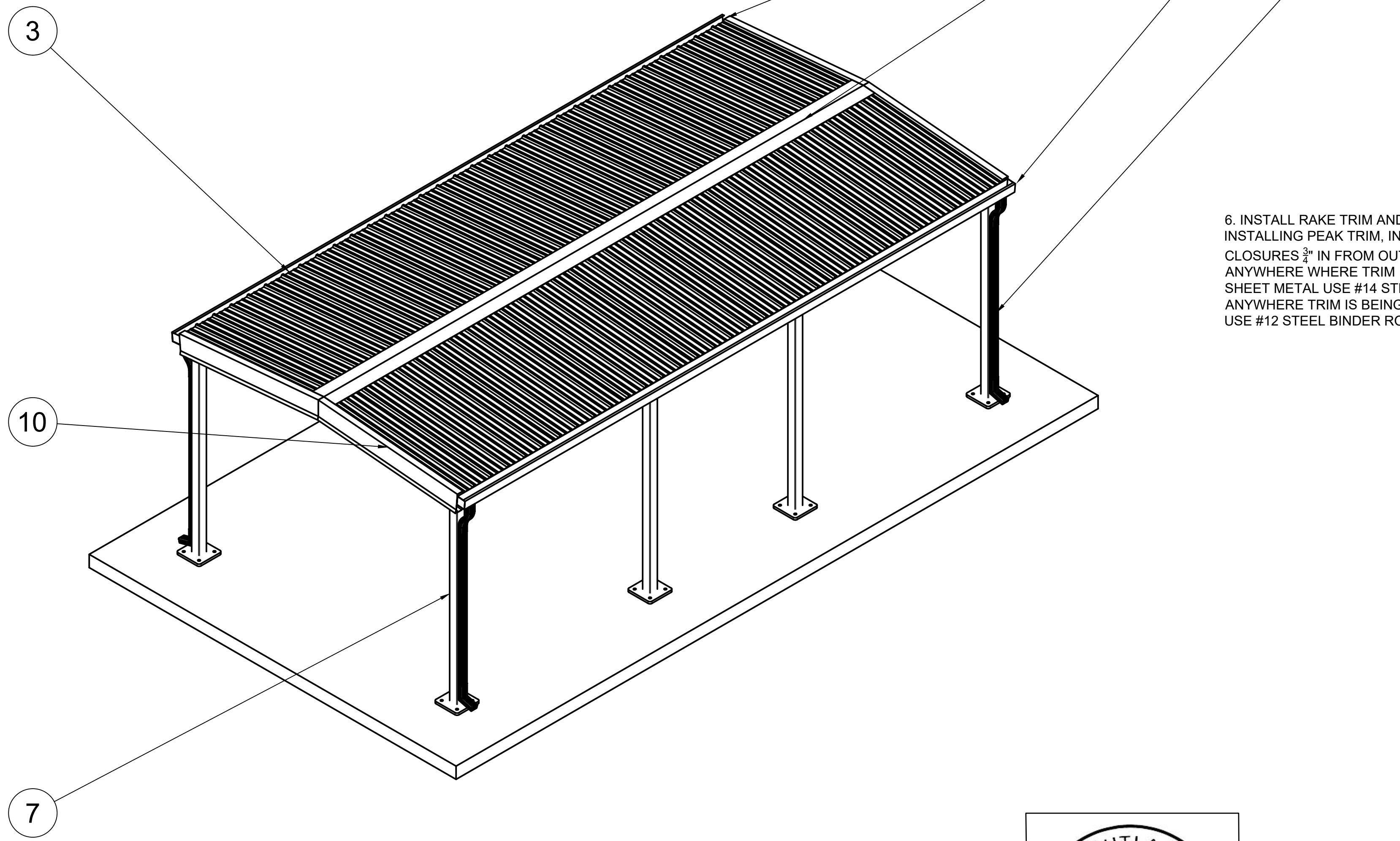
C

B

B

A

A



6. INSTALL RAKE TRIM AND THEN PEAK TRIM. WHILE INSTALLING PEAK TRIM, INSTALL OUTSIDE CLOSURES $\frac{3}{4}$ " IN FROM OUTSIDE OF PEAK TRIM. ANYWHERE WHERE TRIM IS BEING FASTENED TO SHEET METAL USE #14 STEEL BINDER LAP SCREWS. ANYWHERE TRIM IS BEING FASTENED TO PURLINS, USE #12 STEEL BINDER ROOFING SCREWS

* This document is protected by the Copyright Laws of the United States Copyrights Office.
 * This document is not to be distributed without the written permission of Outlaw Industries "LLC".
 * This design is subject to change at anytime without notice.
 * Field measurement may vary



PROJECT				
Canopies				
TITLE				
PEAKED CANOPY MODEL INSTALLATION GUIDE				
APPROVED	SIZE	CODE	DWG NO	REV
CHECKED	C			
DRAWN Jesse Moses 1/8/2024	SCALE 1:30	WEIGHT	SHEET 6/6	

4

3

2

1